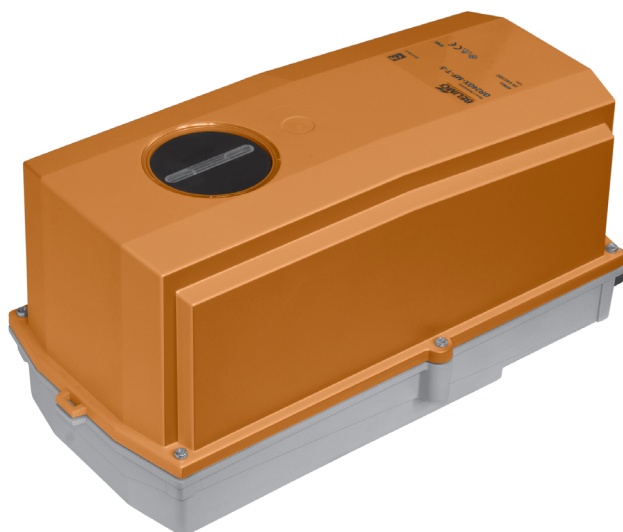


Modulating spring return actuator with emergency function in the IP66 protective housing for adjusting air dampers in industrial plants and in technical building installations

- For air dampers up to approx. 4 m²
- Torque 20 Nm
- Nominal voltage AC/DC 24 V
- Control: modulating DC 0 ... 10 V
- Position feedback DC 2 ... 10 V

Optimum weather protection (for use in ambient temperatures up to -40 °C, there is a separate actuator available with built-in heater ex works)


Technical data

Electrical data	Nominal voltage	AC 24 V, 50/60 Hz / DC 24 V	
	Nominal voltage range	AC 19.2 ... 28.8 V / DC 21.6 ... 28.8 V	
	Power consumption	In operation 5 W @ nominal torque At rest 3 W For wire sizing 7 VA (I _{max} 20 A @ 5 ms)	
	Connection	Cable 1 m, 4 x 0.75 mm ²	
Functional data	Torque	Motor Min. 20 Nm @ nominal voltage Spring return Min. 20 Nm	
	Control	Control signal Y DC 0 ... 10 V, input impedance 100 kΩ Operating range DC 2 ... 10 V	
	Position feedback (measuring voltage U)	DC 2 ... 10 V, max. 0.5 mA	
	Position accuracy	±5%	
	Direction of rotation	Motor Reversible with switch ↻ / ↻ Spring return L (ccw)	
	Manual override	With hand crank and interlocking switch	
	Angle of rotation	Max. 95°↔, can be limited with adjustable mechanical end stop	
	Running time	Motor ≤150 s (0 ... 20 Nm) Spring return ≤20 s @ -20 ... 50 °C / max. 60 s @ -30 °C	
	Sound power level	Motor ≤40 dB (A) @ 150 s running time Spring return ≤62 dB (A)	
	Service life	Min. 60,000 emergency positions	
	Position indication	Mechanical	
	Safety	Protection class	III Safety extra-low voltage UL Class 2 Supply
		Degree of protection	IP66 NEMA 4, UL Enclosure Type 4
EMC		CE according to 2004/108/EC	
Certification		Certified to IEC/EN 60730-1 and IEC/EN 60730-2-14 cULus according to UL 60730-1A and UL 60730-2-14 and CAN/CSA E60730-1:02	
Mode of operation		Type 1.AA	
Rated impulse voltage		0.8 kV	
Control pollution degree		4	
Ambient temperature		-30 ... +50 °C (actuator with built-in heater -40 ... +50 °C)	
Non-operating temperature		-40 ... +80 °C	
Ambient humidity		100% r.h.	
Maintenance	Maintenance-free		
Dimensions / Weight	Dimensions	See «Dimensions» on page 4	
	Weight	Approx. 5.1 kg	

Safety notes



- The actuator is not allowed to be used outside the specified field of application, especially in aircraft or in any other airborne means of transport.
- It may only be installed by suitably trained personnel. Any legal regulations or regulations issued by authorities must be observed during installation.
- The cover of the protective housing may be opened for adjustment and servicing. When it is closed afterwards, the housing must seal tight (see installation instructions).
- The device on the inside may only be opened up in the factory. It does not contain any parts that can be replaced or repaired by the user.
- The cable must not be removed from the device on the inside.
- When calculating the required torque, the specifications supplied by the damper manufacturers (cross-section, design, installation site), and the air flow conditions must be observed.
- The device contains electrical and electronic components and is not allowed to be disposed of as household refuse. All locally valid regulations and requirements must be observed.
- The actuator is not designed for applications where chemical influences (gases, fluids) are present or for utilisation in corrosive environments in general.
- The materials used may be subjected to external influences (temperature, pressure, constructional fixture, effect of chemical substances, etc.), which cannot be simulated in laboratory tests or field trials.
In case of doubt, we definitely recommend that you carry out a test. This information does not imply any legal entitlement. Belimo will not be held liable and will provide no warranty.
- For UL (NEMA) Type 4 applications flexible metallic cable conduits or threaded cable conduits of equal value are to be used.
- The actuator may not be used in plenum applications (e.g. suspended ceilings or raised floors).

Product features

- Fields of application** The actuator is particularly suitable for utilisation in outdoor applications and is protected against the following weather conditions:
- UV radiation
 - rain / snow
 - dirt / dust
 - humidity
 - Changing atmosphere / frequent and severe temperature fluctuations (recommendation: use the actuator with integrated factory-installed heating which can be ordered separately to prevent internal condensation)

Product features

(continued)

Mode of operation	The actuator is controlled with a standard signal of DC 0 ... 10 V and moves the damper to the operating position at the same time as tensioning the return spring. The damper is turned back to the emergency position by spring force if the supply voltage is interrupted.
Simple direct mounting	Simple direct mounting on the damper spindle with a universal spindle clamp, supplied with an anti-rotation strap to prevent the actuator from rotating.
Manual override	Manual operation of the damper with the hand crank, locking in any position with the interlocking switch. Unlocking is manual or automatic by applying the operating voltage. The housing cover must be removed to set the manual override.
Adjustable angle of rotation	Adjustable angle of rotation with mechanical end stop. The housing cover must be removed to set the angle of rotation.
High operational reliability	The actuator is overload-proof, requires no limit switches and automatically stops when the end stop is reached.

Accessories

	Description	Data sheet
Electrical accessories	Auxiliary switch unit S2A-F *	T2 - S2A-F
	Feedback potentiometer unit P200A-F **	T2 - P200A-F
	Cable socket IP66/NEMA4 housing Z-KB-PG11	
	Range controller SBG24	T2 - SBG24
	Position positioner SGA24, SGE24 and SGF24	T2 - SG..24
	Digital position indication ZAD24	T2 - ZAD24
	Heating with mechanical hygrostat HH24-FG *	T2/T5 - HH24-FG
	Heating with mechanical thermostat HT24-FG *	T2/T5 - HT24-FG

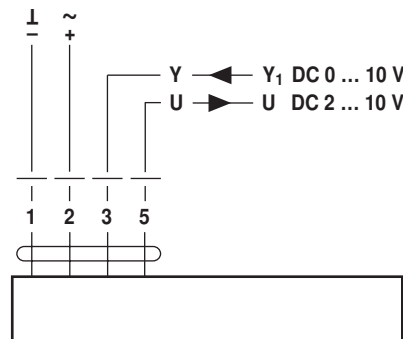
* only available fitted in separate actuator
 ** only available fitted in separate actuator, just as further feedback potentiometer units

Electrical installation

Wiring diagram

Notes

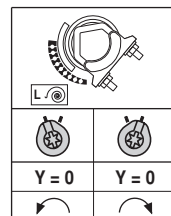
- Connect via safety isolation transformer.
- Parallel connection of other actuators possible. Note the performance data.



Cable colours:

- 1 = black
- 2 = red
- 3 = white
- 5 = orange

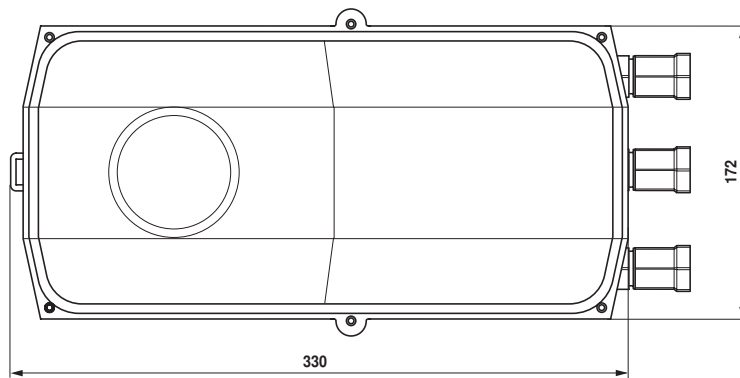
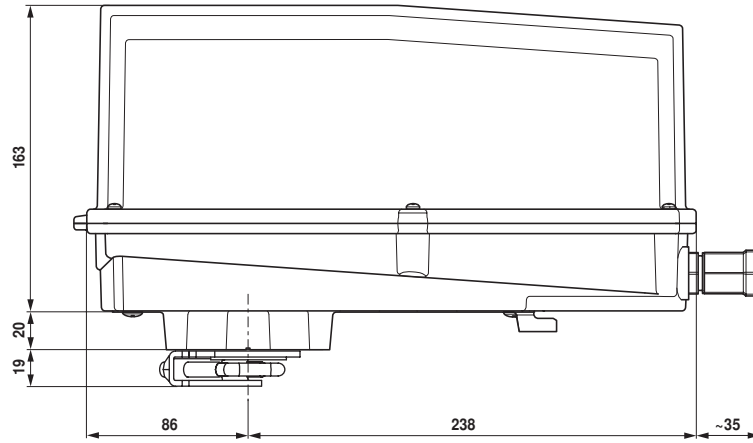
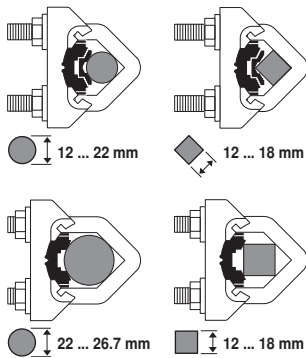
Direction of rotation



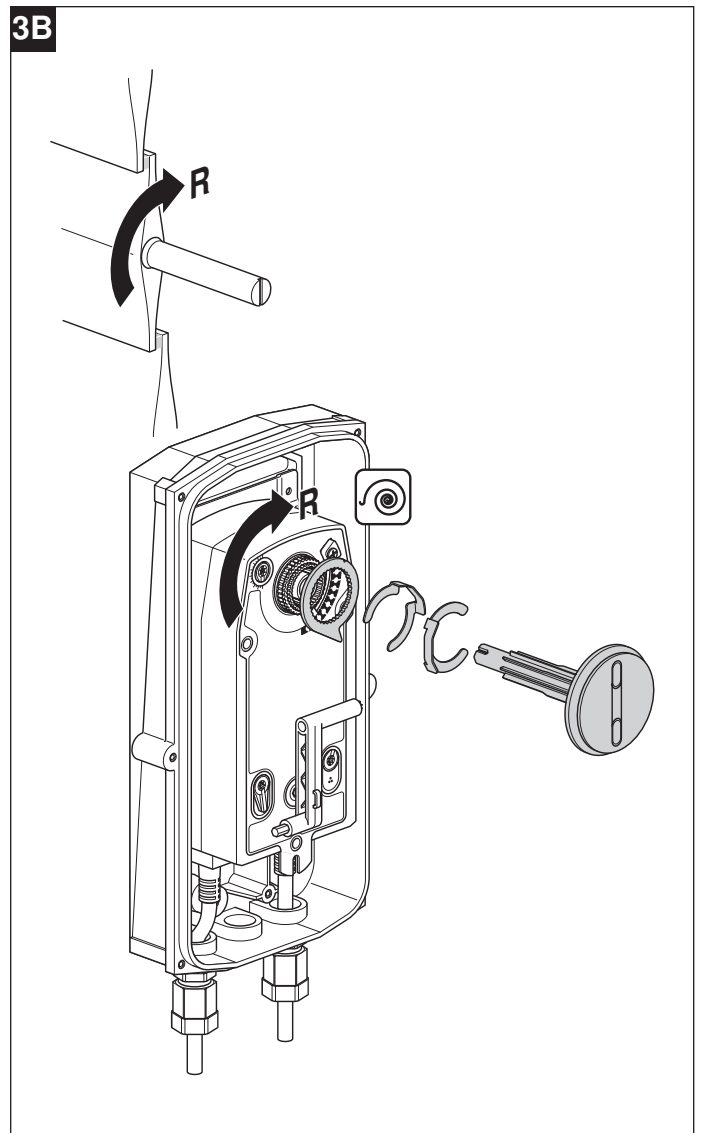
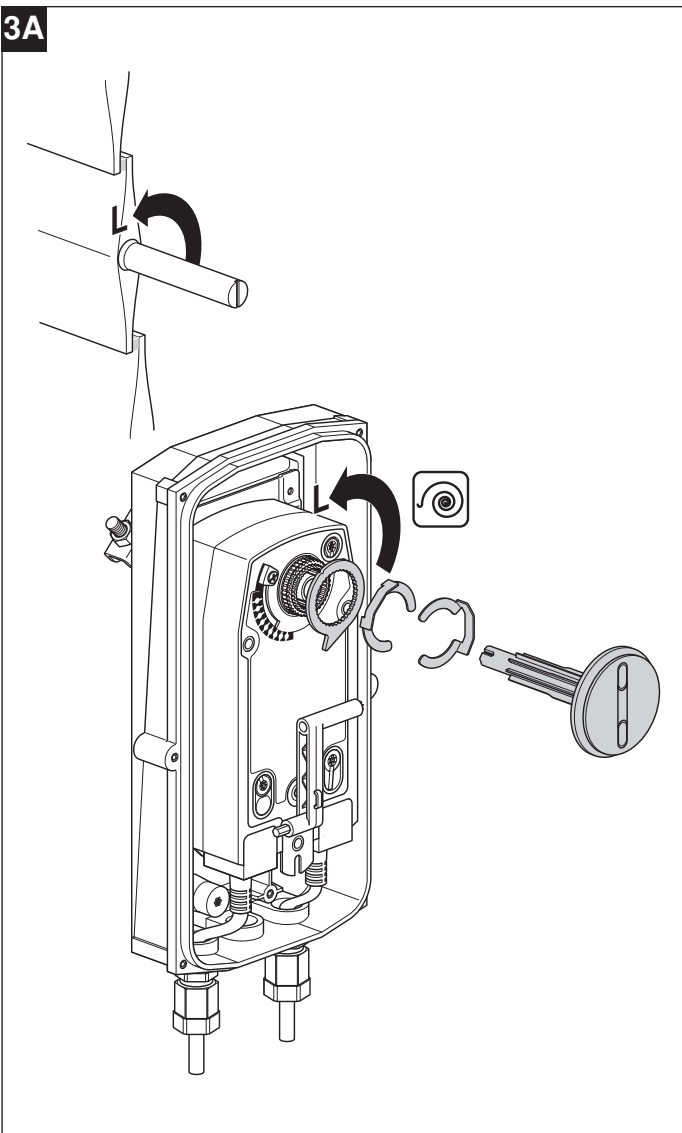
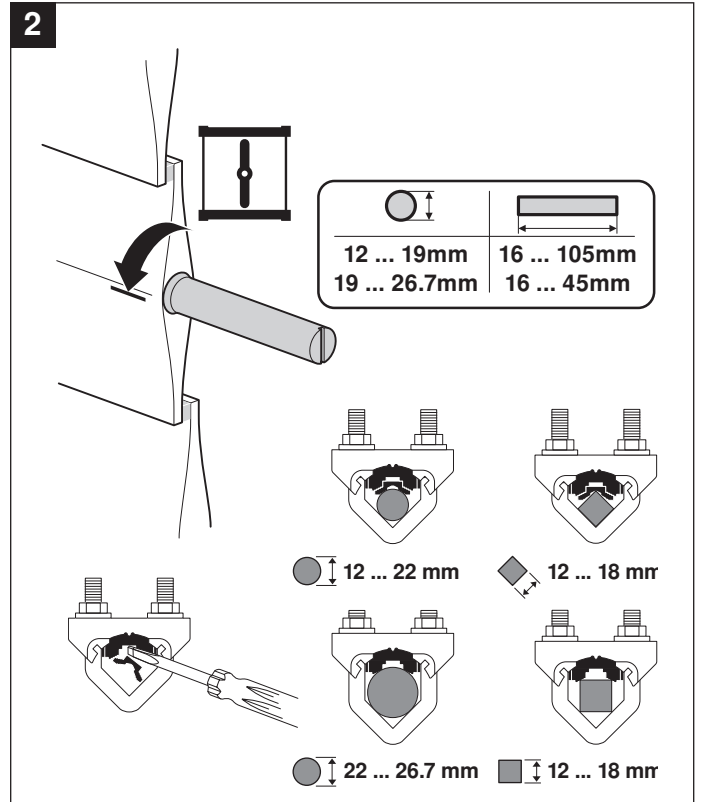
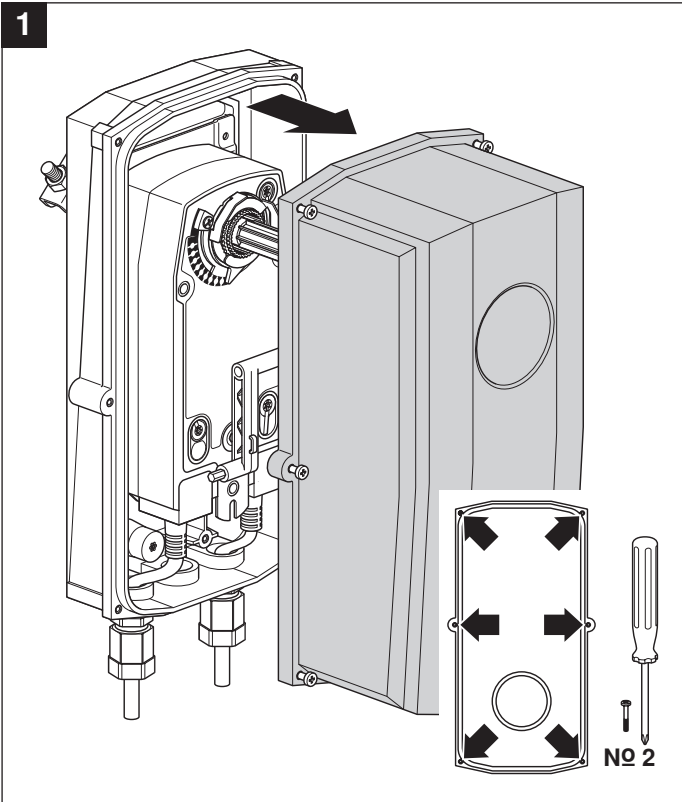
Dimensions [mm]

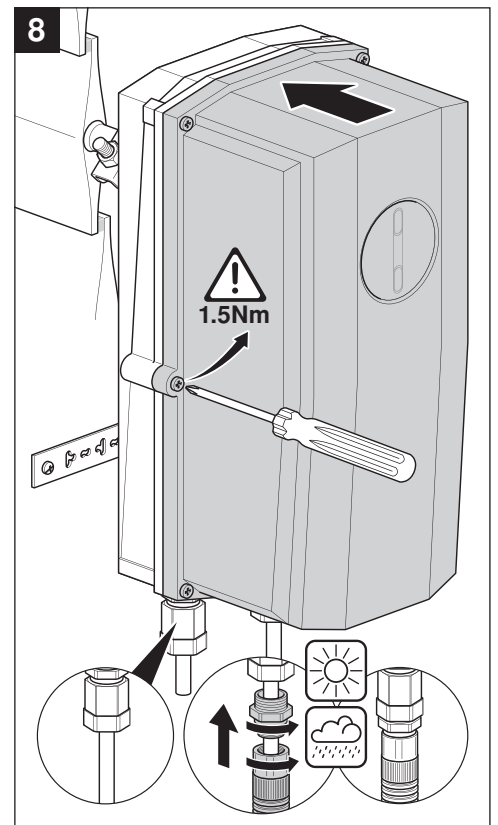
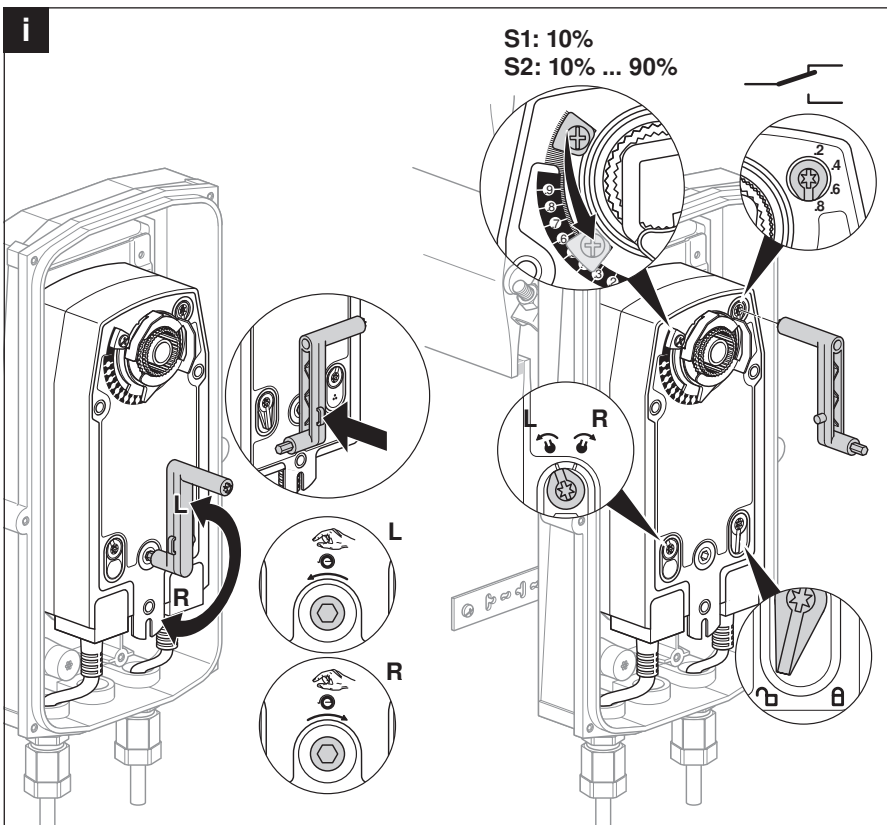
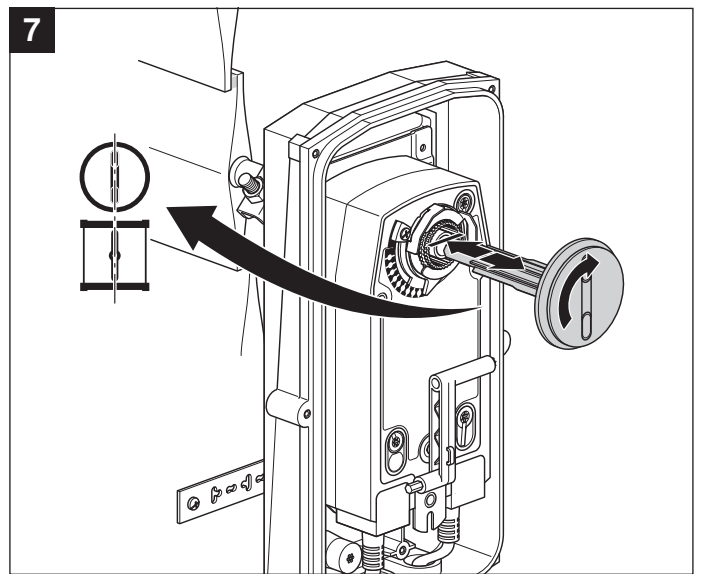
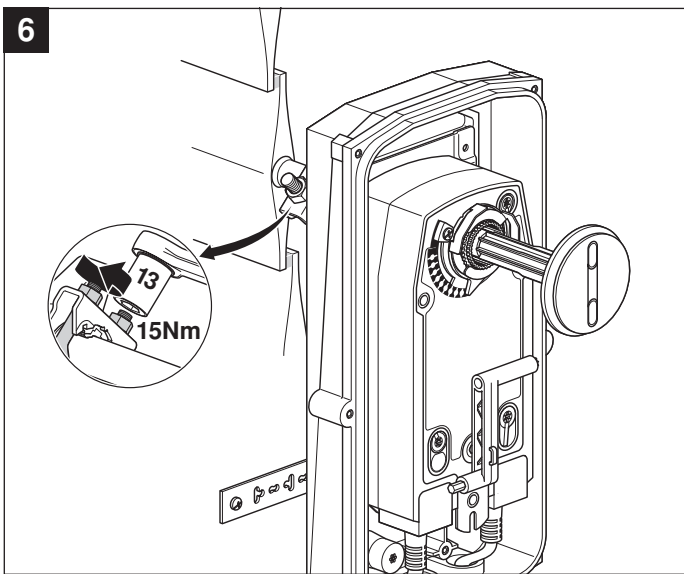
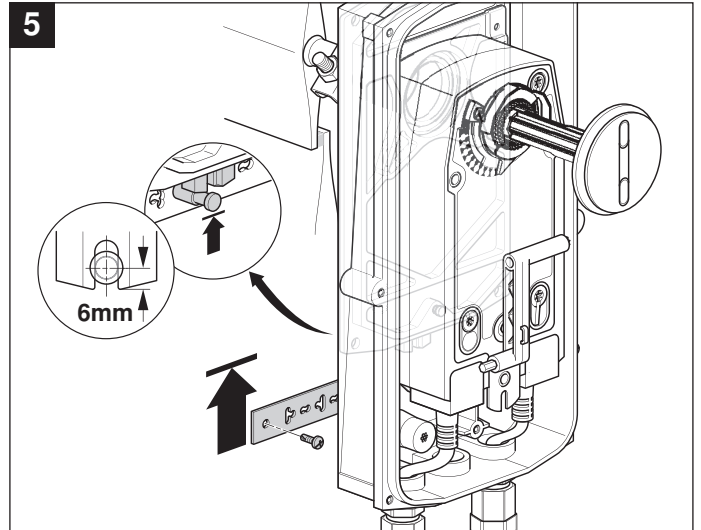
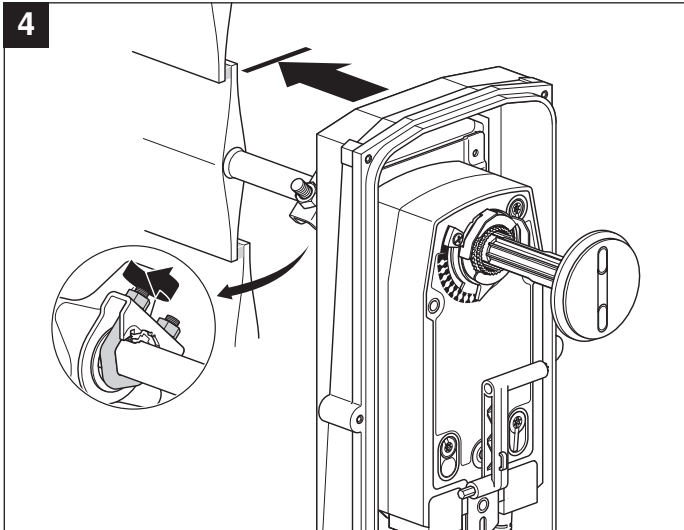
Dimensional drawings

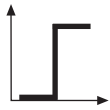
Damper spindle	Length	
	16 ... 105	12 ... 19
	16 ... 45	19 ... 26,7



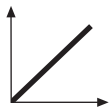
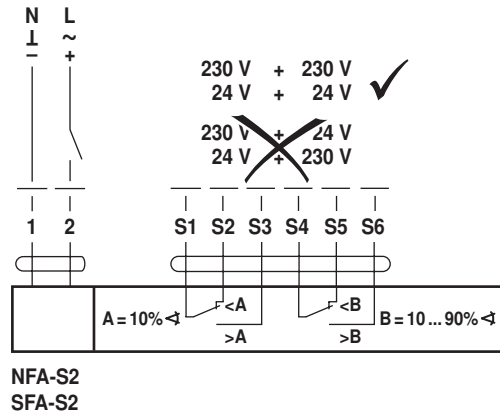
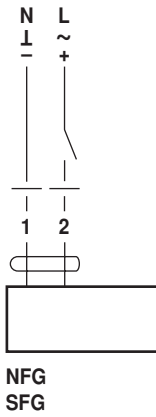
71228-00001.C







AC 24 ... 240 V
DC 24 ... 125 V



AC 24 V / DC 24 V

