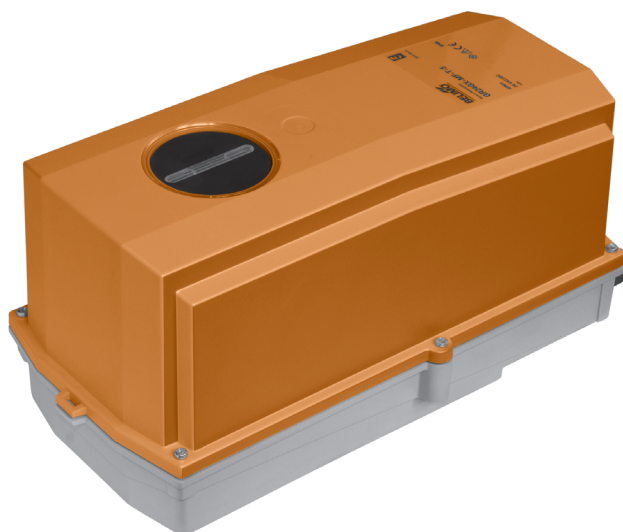


Spring return actuator with emergency function in the IP66 protective housing for adjusting air dampers in industrial plants and in technical building installations

- For air dampers up to approx. 4 m²
- Torque 20 Nm
- Nominal voltage
AC 24 ... 240 V / DC 24 ... 125 V
- Control: Open-close

Optimum weather protection for outdoor applications



Technical data

Electrical data	Nominal voltage	AC 24 ... 240 V, 50/60 Hz / DC 24 ... 125 V	
	Nominal voltage range	AC 19.2 ... 264 V / DC 21.6 ... 137.5 V	
	Power consumption	In operation 7 W @ nominal torque At rest 3.5 W For wire sizing 18 VA (I _{max} 20 A @ 5 ms)	
	Connection	Cable 1 m, 2 x 0.75 mm ²	
Functional data	Torque	Motor Min. 20 Nm @ nominal voltage Spring return Min. 20 Nm	
	Direction of rotation	Spring return L (ccw)	
	Manual override	With hand crank and interlocking switch	
	Angle of rotation	Max. 95°↔, can be limited with adjustable mechanical end stop	
	Running time	Motor ≤75 s (0 ... 20 Nm) Spring return ≤20 s @ -20 ... 50°C / max. 60 s @ -30°C	
	Sound power level	Motor ≤45 dB (A) Spring return ≤62 dB (A)	
	Service life	Min. 60,000 emergency positions	
	Position indication	Mechanical	
	Safety	Protection class	II Totally insulated <input type="checkbox"/>
		Degree of protection	IP66 NEMA 4, UL Enclosure Type 4
EMC		CE according to 2004/108/EC	
Low-voltage directive		CE according to 2006/95/EC	
Certification		Certified to IEC/EN 60730-1 and IEC/EN 60730-2-14 cULus according to UL 60730-1A and UL 60730-2-14 and CAN/CSA E60730-1:02	
Mode of operation		Type 1.AA	
Rated impulse voltage		4 kV	
Control pollution degree		4	
Ambient temperature		-30 ... +50 °C	
Non-operating temperature		-40 ... +80 °C	
Ambient humidity	100% r.h.		
Maintenance	Maintenance-free		
Dimensions / Weight	Dimensions	See «Dimensions» on page 3	
	Weight	Approx. 5.2 kg	

Safety notes



- The actuator is not allowed to be used outside the specified field of application, especially in aircraft or in any other airborne means of transport.
- **Caution: Power supply voltage possible!**
- It may only be installed by suitably trained personnel. Any legal regulations or regulations issued by authorities must be observed during installation.
- The cover of the protective housing may be opened for adjustment and servicing. When it is closed afterwards, the housing must seal tight (see installation instructions).
- The device on the inside may only be opened up in the factory. It does not contain any parts that can be replaced or repaired by the user.
- The cable must not be removed from the device on the inside.
- When calculating the required torque, the specifications supplied by the damper manufacturers (cross-section, design, installation site), and the air flow conditions must be observed.
- The device contains electrical and electronic components and is not allowed to be disposed of as household refuse. All locally valid regulations and requirements must be observed.
- The actuator is not designed for applications where chemical influences (gases, fluids) are present or for utilisation in corrosive environments in general.
- The materials used may be subjected to external influences (temperature, pressure, constructional fixture, effect of chemical substances, etc.), which cannot be simulated in laboratory tests or field trials.
In case of doubt, we definitely recommend that you carry out a test. This information does not imply any legal entitlement. Belimo will not be held liable and will provide no warranty.
- For UL (NEMA) Type 4 applications flexible metallic cable conduits or threaded cable conduits of equal value are to be used.
- The actuator may not be used in plenum applications (e.g. suspended ceilings or raised floors).

Product features

Fields of application	The actuator is particularly suitable for utilisation in outdoor applications and is protected against the following weather conditions: <ul style="list-style-type: none"> – UV radiation – rain / snow – dirt / dust – humidity
Mode of operation	The actuator is equipped with a universal power module and can process supply voltages from AC 24 ... 240 V plus DC 24 ... 125 V. The actuator moves the damper to the operating position at the same time as tensioning the return spring. The damper is turned back to the emergency position by spring force if the supply voltage is interrupted.
Simple direct mounting	Simple direct mounting on the damper spindle with a universal spindle clamp, supplied with an anti-rotation strap to prevent the actuator from rotating.
Manual override	Manual operation of the damper with the hand crank, locking in any position with the interlocking switch. Unlocking is manual or automatic by applying the operating voltage. The housing cover must be removed to set the manual override.
Adjustable angle of rotation	Adjustable angle of rotation with mechanical end stop. The housing cover must be removed to set the angle of rotation.
High operational reliability	The actuator is overload-proof, requires no limit switches and automatically stops when the end stop is reached.

Accessories

Electrical accessories

Description

Data sheet

Auxiliary switch unit S2A-F *	T2 - S2A-F
Feedback potentiometer unit P200A-F *	T2 - P200A-F
Cable socket IP66/NEMA4 housing Z-KB-PG11	

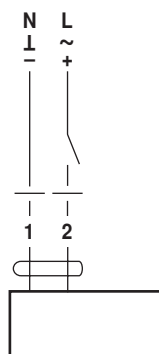
* further versions on request

Electrical installation

Wiring diagram

Notes

- Caution: Power supply voltage possible!
- Parallel connection of other actuators possible. Note the performance data.

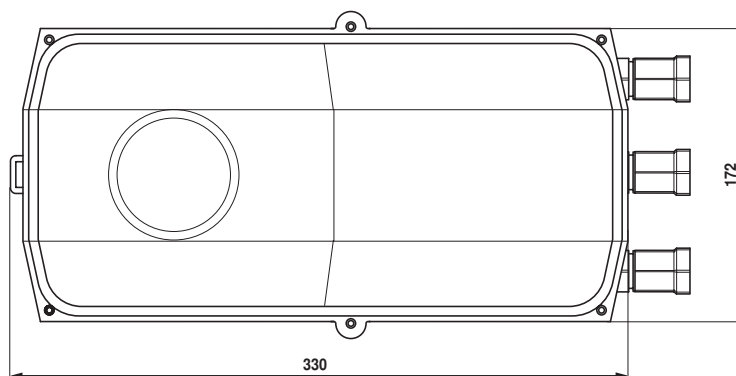
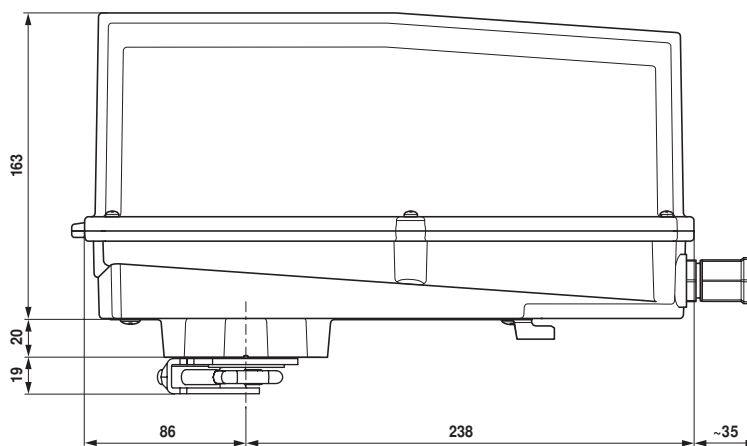


Cable colours:

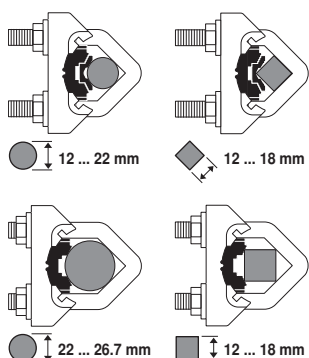
- 1 = blue
- 2 = brown

Dimensions [mm]

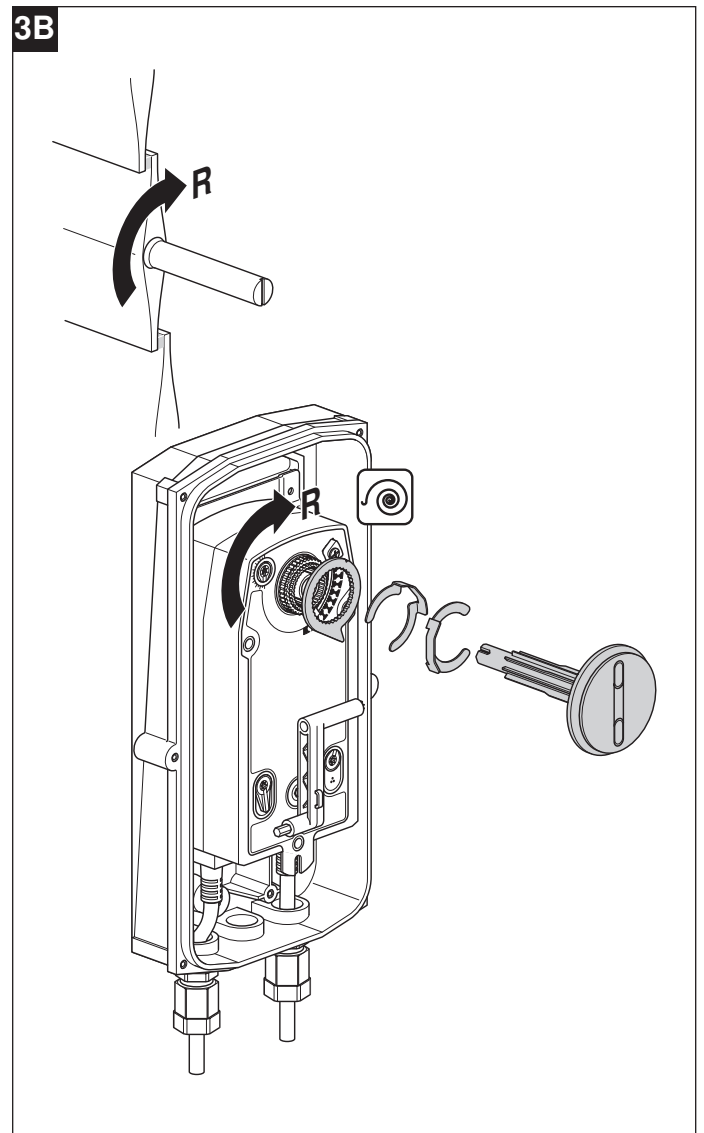
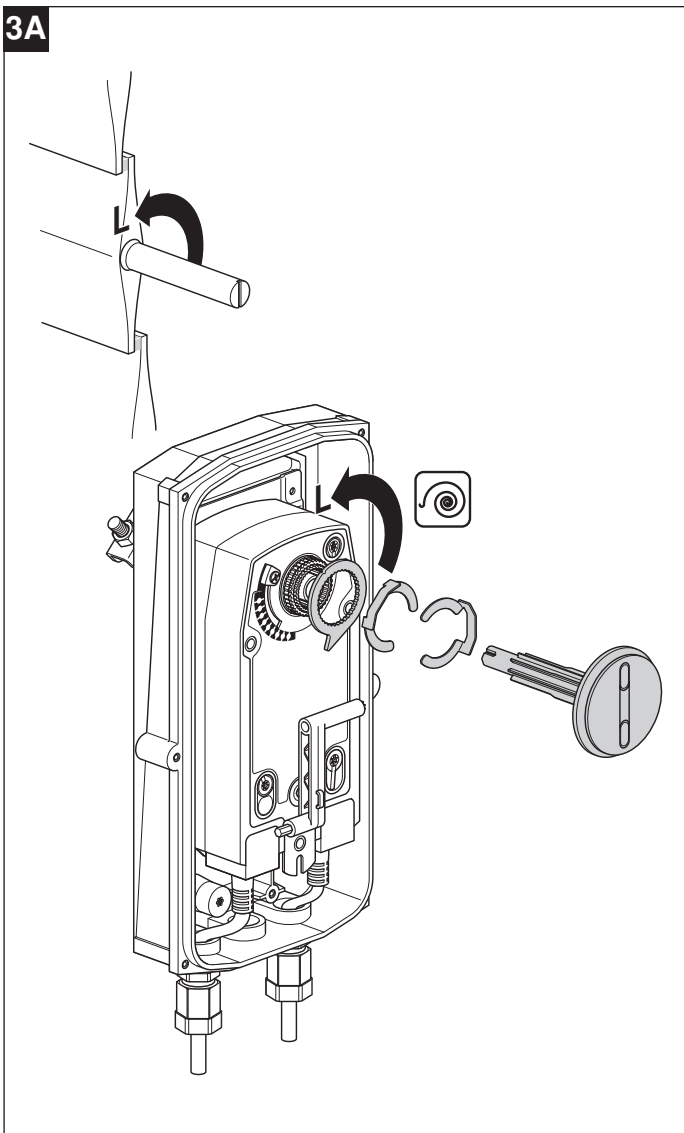
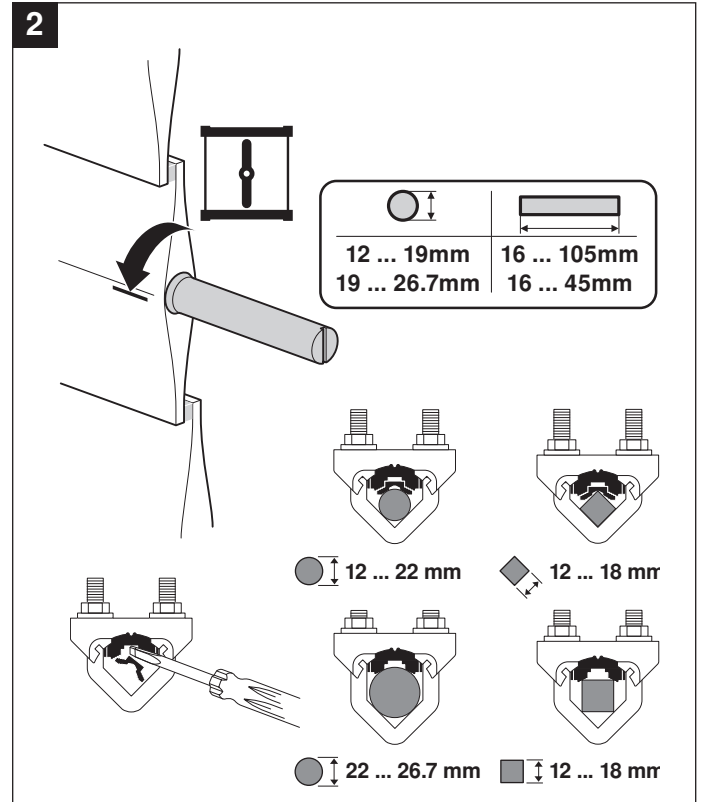
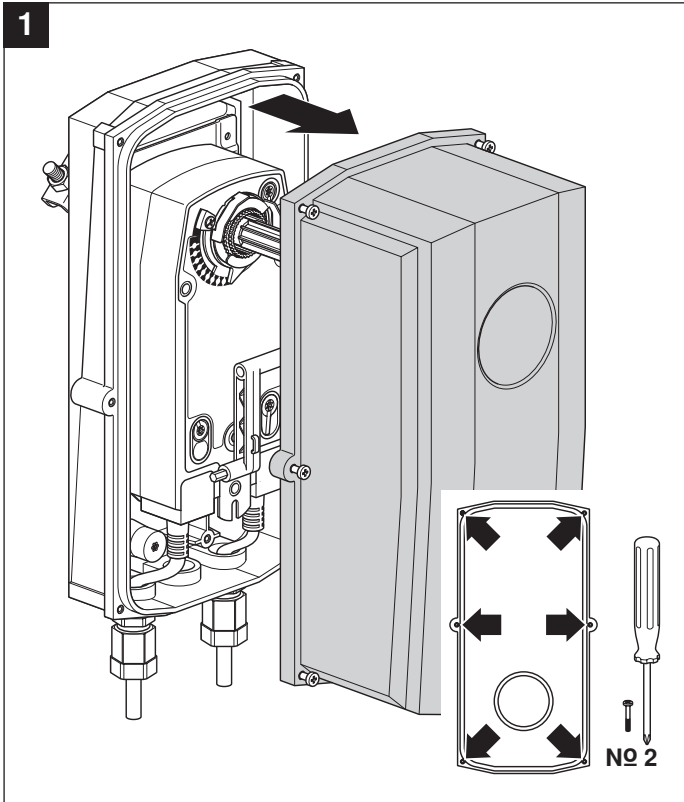
Dimensional drawings

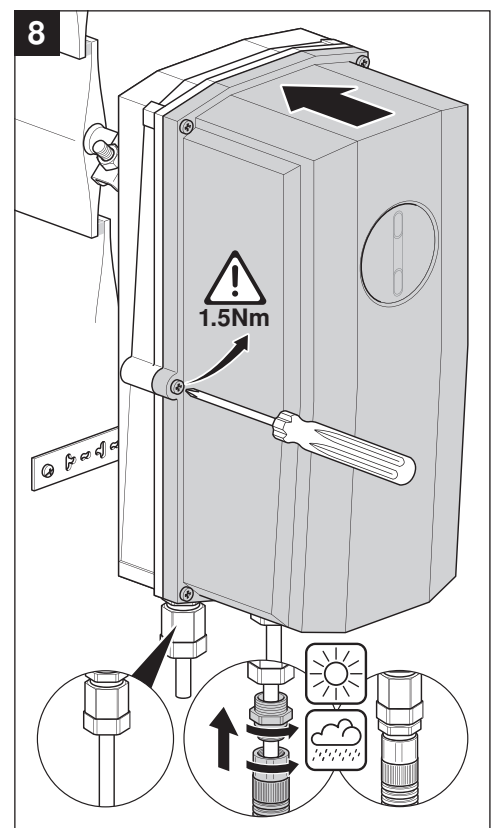
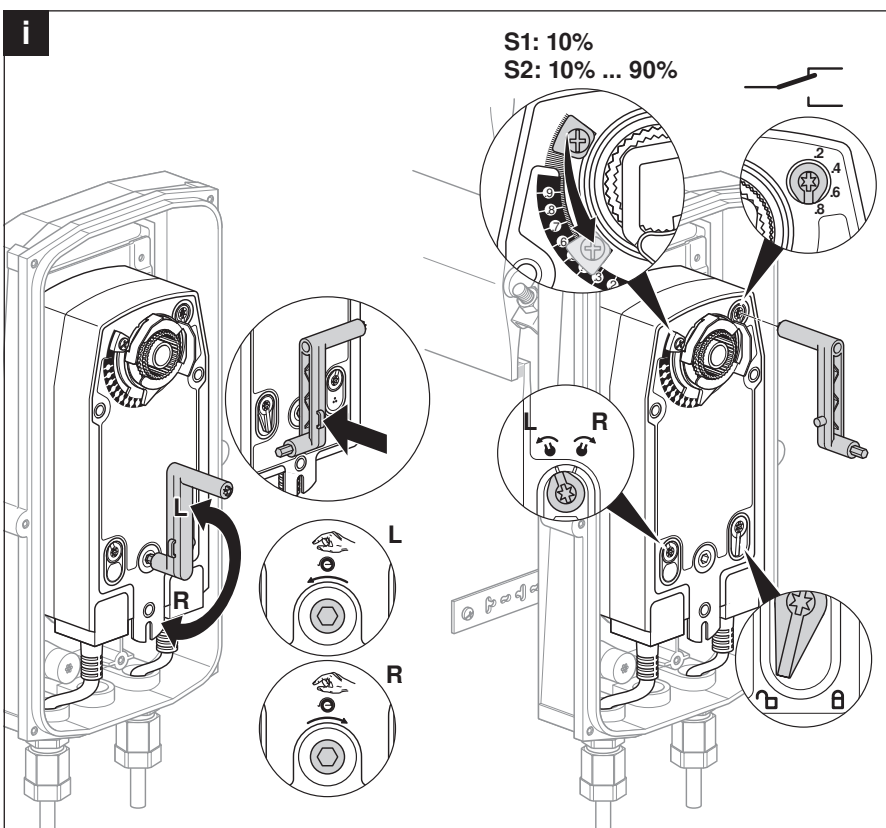
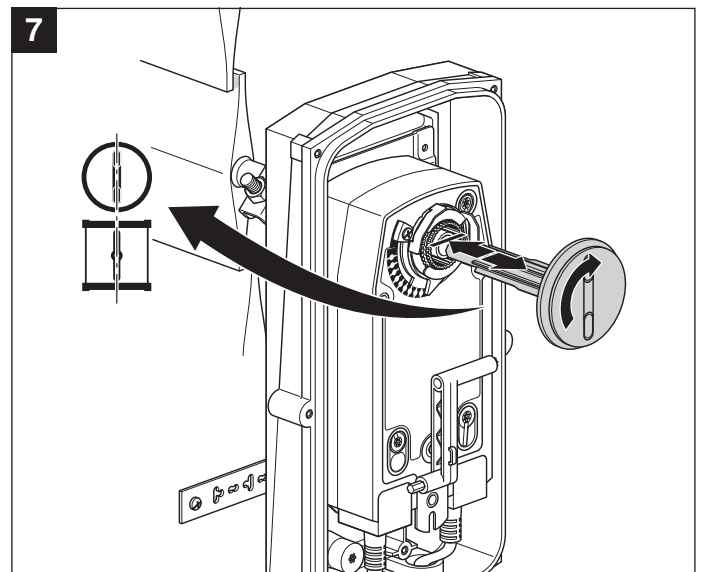
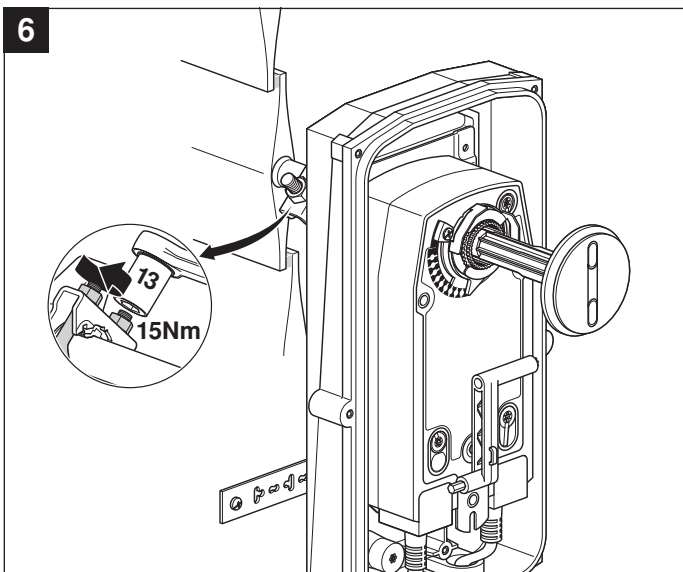
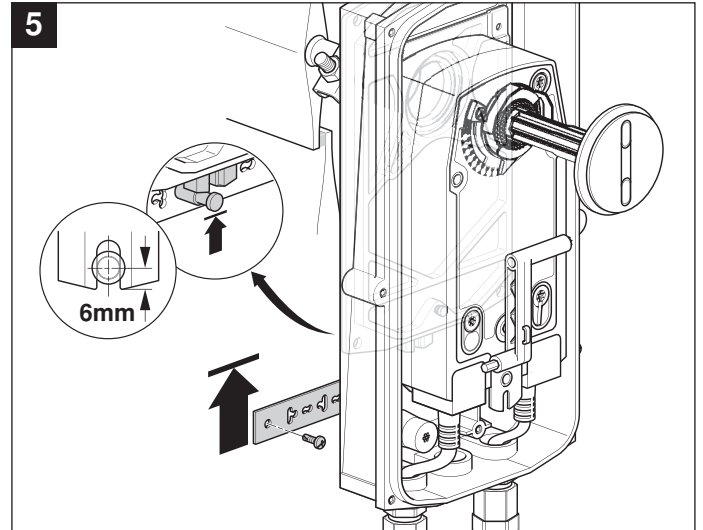
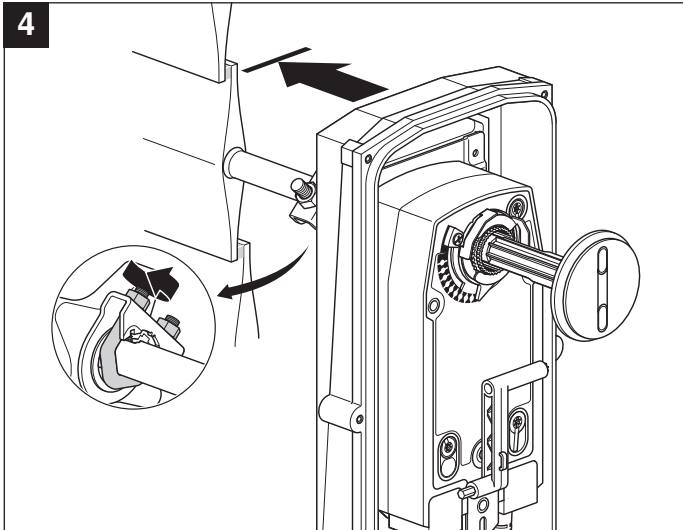


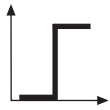
Damper spindle	Length	
	16 ... 105	12 ... 19
	16 ... 45	19 ... 26,7



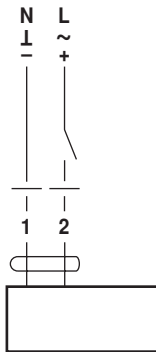
71228-00001.C







AC 24 ... 240 V
DC 24 ... 125 V

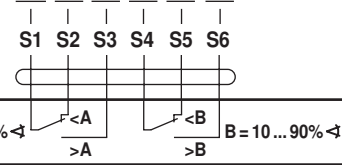


NFG
SFG

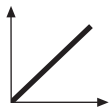


NFA-S2
SFA-S2

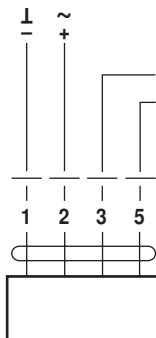
230 V + 230 V
24 V + 24 V ✓
~~230 V + 24 V~~
~~24 V + 230 V~~



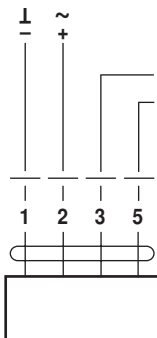
A = 10% <A >A B = 10...90% B



AC 24 V / DC 24 V



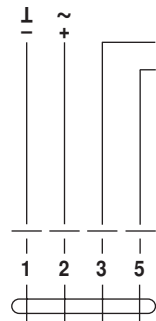
NF24G-SR
NF24G-MF
SF24G-SR
SF24G-MF



NF24G-MP
SF24G-MP

Y ← DC 0 ... 10 V
U → DC 2 ... 10 V

Y ← DC 0(2) ... 10 V
U → MP



NF24G-SR-S2
SF24G-SR-S2



A = 10% <A >A B = 10...90% B

230 V + 230 V
24 V + 24 V ✓
~~230 V + 24 V~~
~~24 V + 230 V~~