

Damper actuator for adjusting air dampers in ventilation and air-conditioning systems for building services installations

- For air dampers up to approx. 4 m²
- Torque 20 Nm
- Nominal voltage AC 100 ... 240 V
- Control: Open-close or 3-point
- with integrated auxiliary switch



Technical data

| | | | |
|------------------------|----------------------------|--|----------------------------|
| Electrical data | Nominal voltage | AC 100 ... 240 V, 50 / 60 Hz | |
| | Nominal voltage range | AC 85 ... 265 V | |
| | Power consumption | In operation 2.5 W @ nominal torque At rest 0.6 W For wire sizing 6 VA | |
| | Auxiliary switch | 1 x SPDT, 1 mA ... 3 (0.5) A, AC 250 V <input type="checkbox"/> (0 ... 100% adjustable) | |
| | Connection Motor | Cable 1 m, 3 x 0.75 mm ² | |
| | Auxiliary switch | Cable 1 m, 3 x 0.75 mm ² | |
| Functional data | Torque (nominal torque) | Min. 20 Nm @ nominal voltage | |
| | Direction of rotation | Reversible with switch 0 ↺ resp. 1 ↻ | |
| | Manual override | Gearing latch disengaged with pushbutton, can be locked | |
| | Angle of rotation | Max. 95° ↺, can be limited at both ends with adjustable mechanical end stops | |
| | Running time | 150 s / 90° ↺ | |
| | Sound power level | Max. 45 dB (A) | |
| | Position indication | Mechanical, pluggable | |
| Safety | Protection class | II Totally insulated <input type="checkbox"/> | |
| | Degree of protection | IP54 in any mounting position NEMA 2, UL Enclosure Type 2 | |
| | EMC | CE according to 2004/108/EC CE according to 2006/95/EC | |
| | Low voltage directive | CE according to 2006/95/EC | |
| | Certification | cULus according to UL 60730-1A and UL 60730-2-14 and CAN/CSA E60730-1:02 Certified to IEC/EN 60730-1 and IEC/EN 60730-2-14 | |
| | Mode of operation | Type 1 | |
| | Rated impulse voltage | 2.5 kV | |
| | Control pollution degree | 3 | |
| | Ambient temperature range | -30 ... +50 °C | |
| | Non-operating temperature | -40 ... +80 °C | |
| | Ambient humidity range | 95% r.h., non-condensating | |
| | Maintenance | Maintenance-free | |
| | Dimensions / Weight | Dimensions | See «Dimensions» on page 2 |
| | | Weight | Approx. 1.1 kg |

Safety notes



- The actuator is not allowed to be used outside the specified field of application, especially in aircraft or any other form of air transport.
- Caution: Power supply voltage!
- Assembly must be carried out by trained personnel. Any legal regulations or regulations issued by authorities must be observed during assembly.
- The device may only be opened at the manufacturer's site. It does not contain any parts that can be replaced or repaired by the user.
- The cable must not be removed from the device.
- When calculating the required torque, the specifications supplied by the damper manufacturers (cross section, design, installation site), and the air flow conditions must be observed.

Safety notes

(Continued)

- The device contains electrical and electronic components and is not allowed to be disposed of as household refuse. All locally valid regulations and requirements must be observed.

Product features

- Simple direct mounting** Simple direct mounting on the damper spindle with a universal spindle clamp, supplied with an anti-rotation strap to prevent the actuator from rotating.
- Manual override** Manual override with push-button possible (the gear is disengaged for as long as the button is pressed or remains locked).
- Adjustable angle of rotation** Adjustable angle of rotation with mechanical end stops.
- High functional reliability** The actuator is overload-proof, requires no limit switches and automatically stops when the end stop is reached.
- Flexible signalization** Flexible signalization with adjustable auxiliary switch (0 ... 100%).

Accessories

| | Description | Data sheet |
|------------------------|---|----------------|
| Electrical accessories | Auxiliary switch S..A.. | T2 - S..A.. |
| | Feedback potentiometer P..A.. | T2 - P..A.. |
| Mechanical accessories | Various accessories (clamps, shaft extensions etc.) | T2 - Z-SM..A.. |

Electrical installation

Notes

- Caution: Power supply voltage!
- Other actuators can be connected in parallel. Please note the performance data.

Wiring diagrams

Direction of rotation

Auxiliary switch

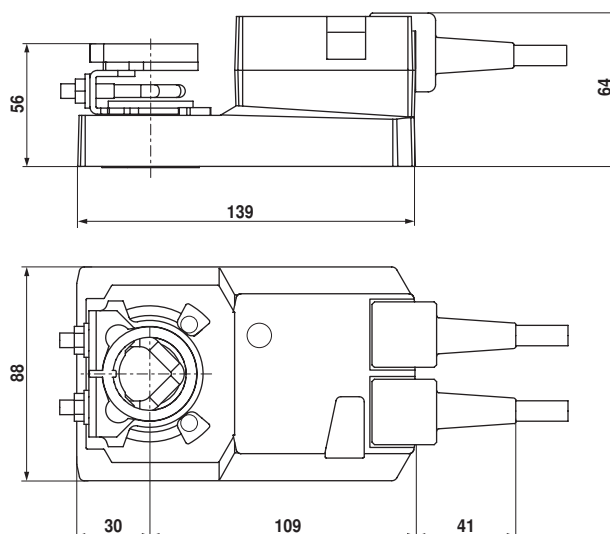
Open-close control

3-point control

Cable colours:
 1 = blue
 2 = brown
 3 = white
 S1 = violet
 S2 = red
 S3 = white

Dimensions [mm]

Dimensional drawings






| Damper spindle | Length | ● I | ■ I | ◆ I |
|----------------|--------|-------------------------|-----|-----|
| | ≥48 | 10 ... 20 ¹⁾ | ≥10 | ≤20 |
| | ≥20 | 10 ... 20 ¹⁾ | ≥10 | ≤20 |

¹⁾ CrNi (INOX) 12 ... 20

70214-00003.D

1

| |  |  |  |
|-------------|---|---|---|
| | 10 ... 20 | ≥10 | ≤20 |
| CrNi (INOX) | 12 ... 20 | ≥10 | ≤20 |

2

3

4

9 Nm
CrNi (INOX) 15 Nm

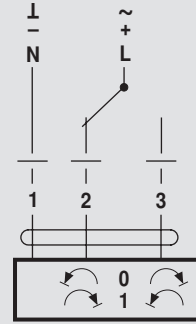
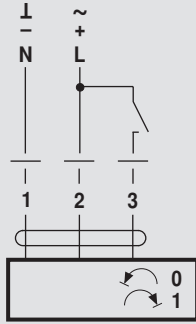
1 mm

5

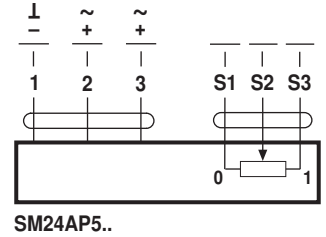
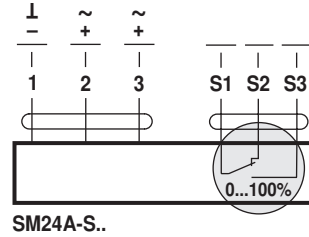
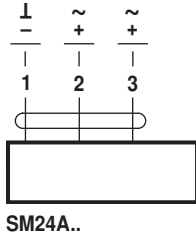
Z-PI

65°

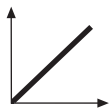
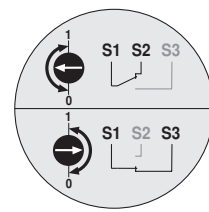
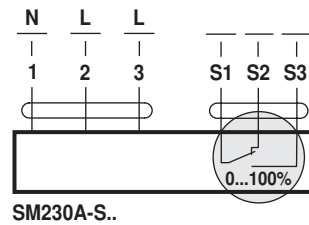
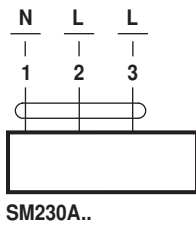
≥20



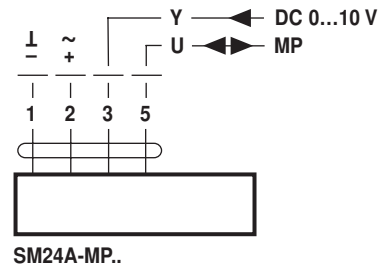
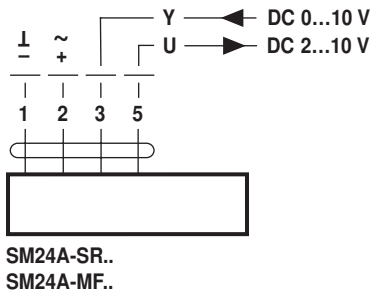
AC 24 V / DC 24 V



AC 100 ... 240 V ⚠



AC 24 V / DC 24 V



AC 100 ... 240 V ⚠

