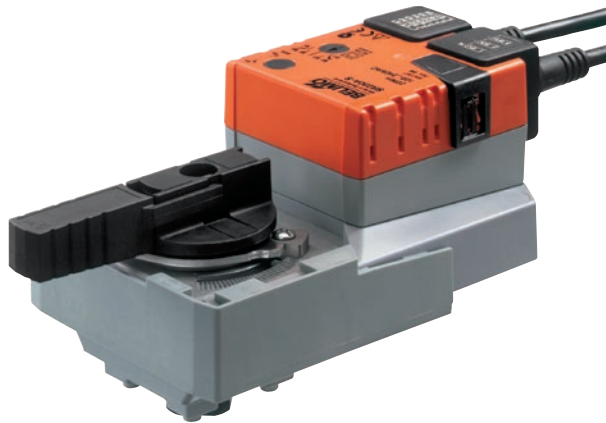


Rotary actuator for 2 and 3-way control ball valves

- Torque 20 Nm
- Nominal voltage AC 100 ... 240 V
- Control: Open/close or 3-point
- Auxiliary switch


Technical data

| | | | |
|----------------------------|---------------------------------|---|-------------------------------------|
| Electrical data | Nominal voltage | AC 100 ... 240 V, 50/60 Hz | |
| | Power supply range | AC 85 ... 265 V | |
| | Power consumption | In operation | 2.5 W at nominal torque |
| | | At rest | 0.4 W |
| | | For wire sizing | 6 VA |
| | Auxiliary switch | 1 x SPDT, 1 mA ... 3 (0.5) A, AC 250 V II <input type="checkbox"/> | |
| | Connection | Motor | Cable 1 m, 3 x 0.75 mm ² |
| Auxiliary switch | | Cable 1 m, 3 x 0.75 mm ² | |
| Parallel connection | Possible, note performance data | | |
| Functional data | Torque (nominal torque) | Min. 20 Nm at nominal voltage | |
| | Manual override | Gearing latch disengaged with pushbutton (temporary-permanent) | |
| | Running time | 90 s / 90° \triangleleft | |
| | Noise level | Max. 45 dB (A) (without the valve) | |
| | Position indication | Mechanical, add-on | |
| Safety | Protection class | II Totally insulated <input type="checkbox"/> | |
| | Degree of protection | IP54 in any mounting position | |
| | EMC | CE according to 89/336/EEC | |
| | Mode of operation | Type 1 (to EN 60730-1) | |
| | Rated impulse voltage | 4 kV (to EN 60730-1) | |
| | Control pollution degree | 3 (to EN 60730-1) | |
| | Ambient temperature range | 0 ... +50°C | |
| | Media temperature | +5 ... +100°C in (control) ball valve -10°C with stem heating upon request | |
| | Non-operating temperature | -40 ... +80°C | |
| | Ambient humidity range | 95% r.H., non-condensating (to EN 60730-1) | |
| | Maintenance | Maintenance-free | |
| Dimensions / Weight | Dimensions | See «Dimensions» on page 2 | |
| | Weight | Approx. 1000 g | |

Safety notes


- The rotary actuator has been designed for use in stationary heating, ventilation and air conditioning systems and is not allowed to be used outside the specified field of application, especially in aircraft or in any other airborne means of transport.
- Caution power supply voltage!
- It may only be installed by suitably trained personnel.
All applicable legal or institutional installation regulations must be complied with.
- The switch for changing the direction of rotation may only be operated by authorized personnel. The direction of rotation must not be reversed in a frost protection circuit.
- The device may only be opened at the manufacturer's site. It does not contain any parts that can be replaced or repaired by the user.
- The cable must not be removed from the device.
- The device contains electrical and electronic components and is not allowed to be disposed of as household refuse. All locally valid regulations and requirements must be observed.

Product features

- Simple direct mounting** Straightforward direct mounting on the ball valve with only one screw. The assembly tool is integrated in the plug-on position indicator. The mounting position in relation to the ball valve can be selected in 90°-steps.
- Adjustable angle of rotation** Adjustable angle of rotation with mechanical end stops.
- High functional reliability** The actuator is overload-proof, requires no limit switches and automatically stops when the end stop is reached.
- Flexible signalization** Flexible signalization with adjustable auxiliary switch (0 ... 100%).

Accessories

| | Description | Data sheet |
|------------------------|-------------------------------|-------------|
| Electrical accessories | Auxiliary switch S..A.. | T2 - S..A.. |
| | Feedback potentiometer P..A.. | T2 - P..A.. |

Electrical installation

Wiring diagram

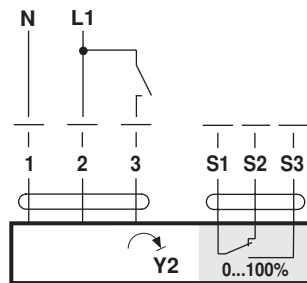
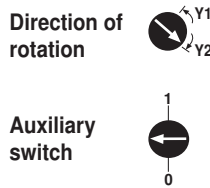
Open-close control

3-point control

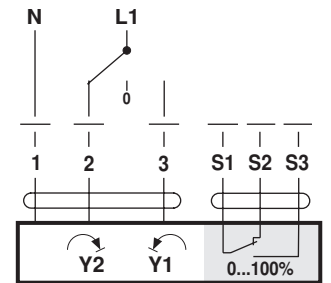
Notes

- Caution power supply voltage!
- Parallel connection of other actuators possible.
- Direction of rotation switch is covered.

Factory setting: Direction of rotation Y2

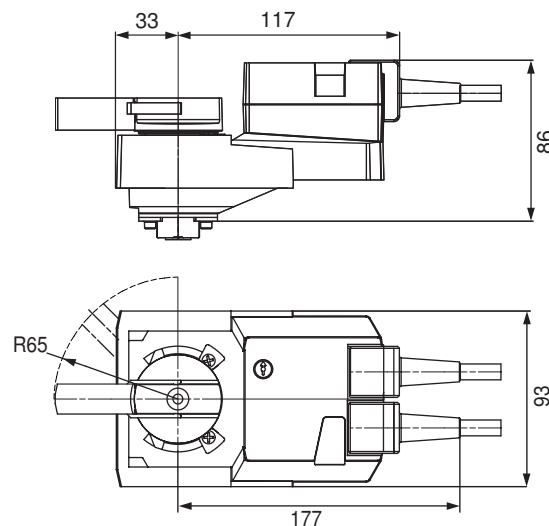


| Rotary actuator | Rotary valve |
|-----------------|--------------|
| Y2 | A - AB = 0% |



Dimensions [mm]

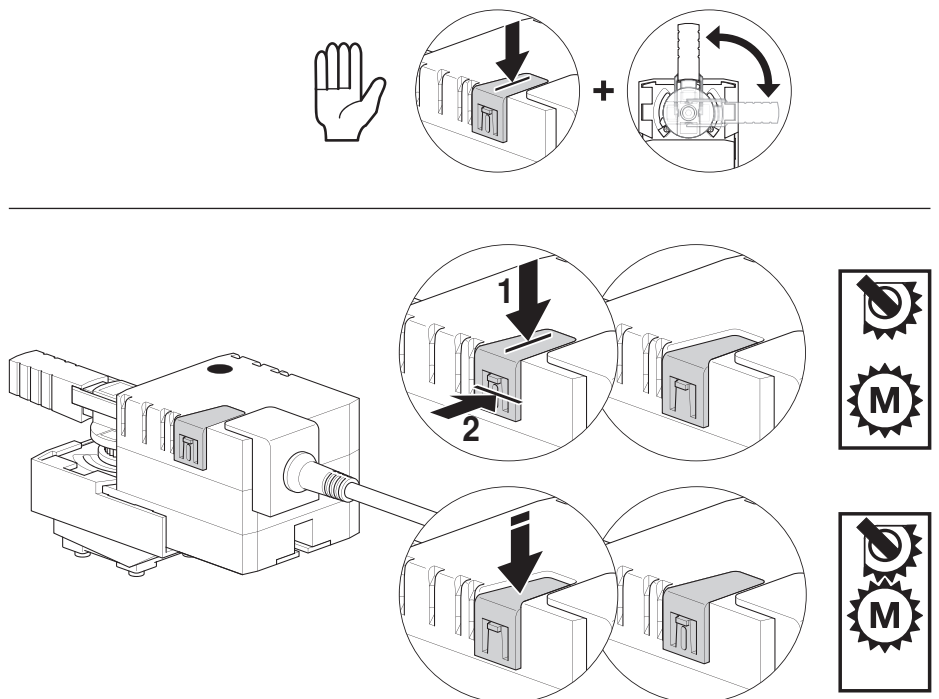
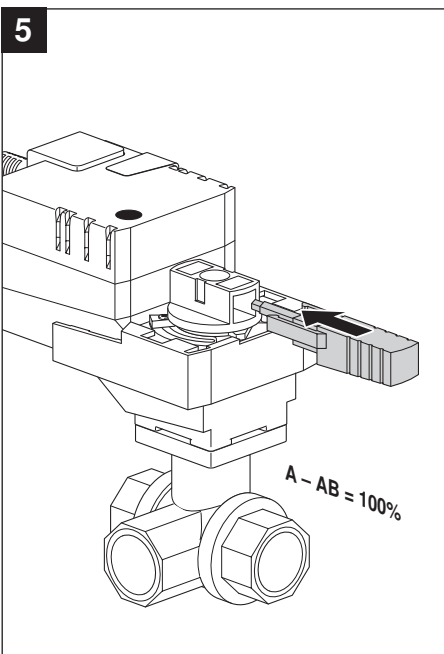
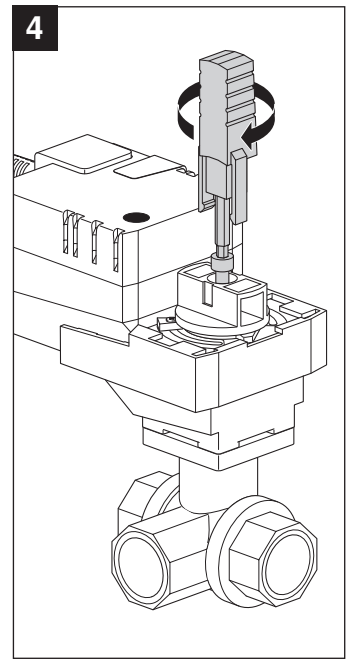
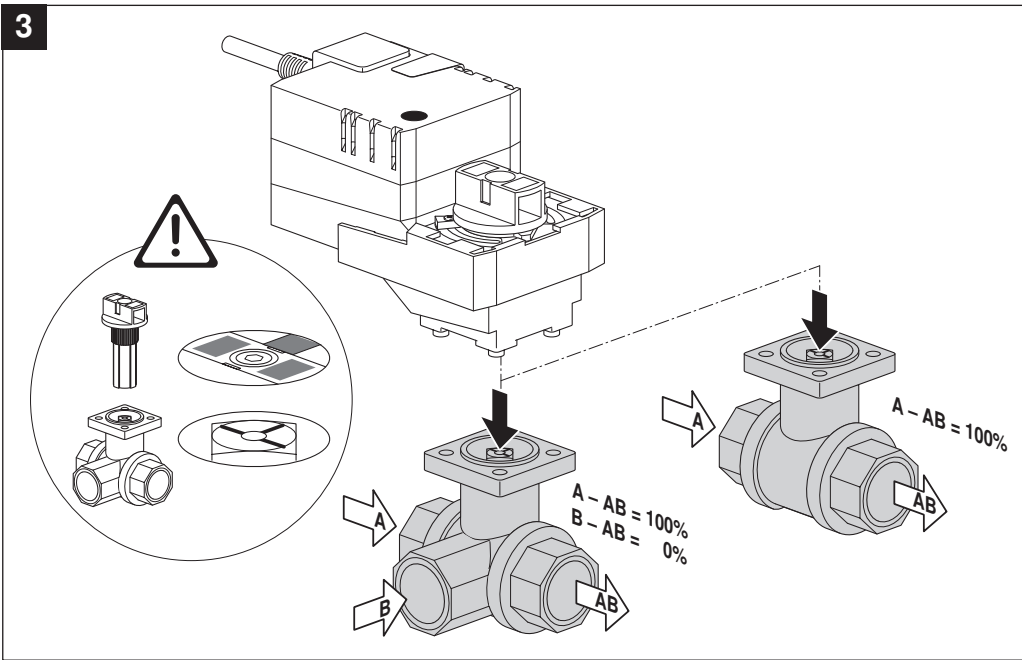
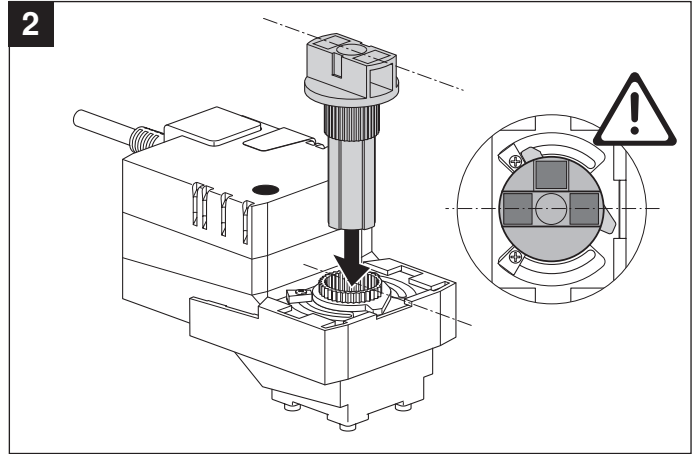
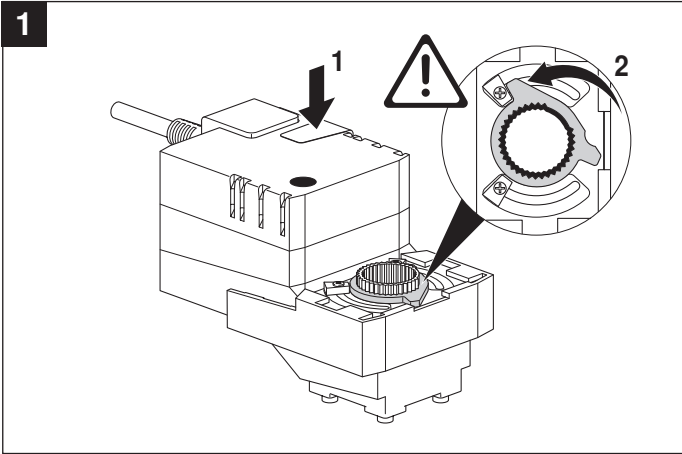
Dimensional diagrams

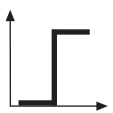
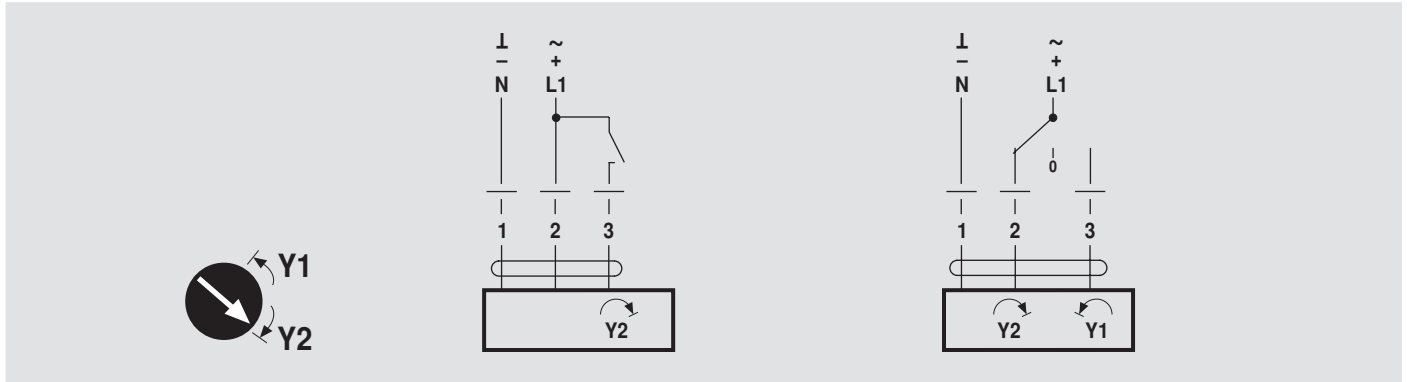


Further documentations

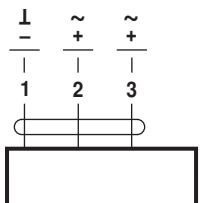
- Complete overview of actuators for water solutions
- Data sheets for ball valves
- Installation instructions for actuators and/or ball valves
- Notes for project planning (hydraulic characteristic curves and circuits, installation regulations, commissioning, maintenance etc.)

70741-00001.C

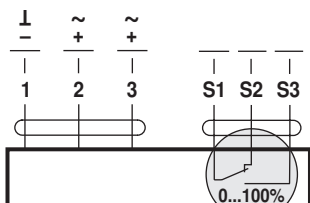




AC 24 V / DC 24 V

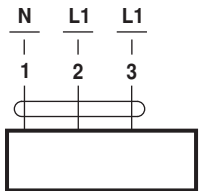


LR24A NR24A
SR24A

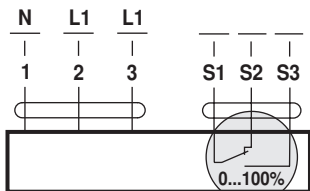


LR24A-S NR24A-S
SR24A-S

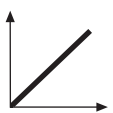
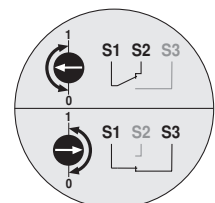
AC 100 ... 240 V ⚠



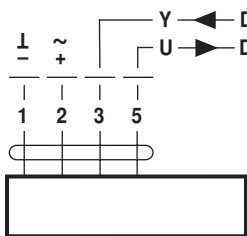
LR230A NR230A
SR230A



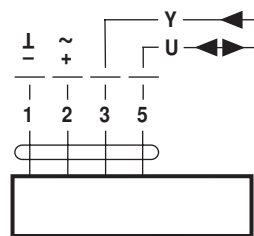
LR230A-S NR230A-S
SR230A-S



AC 24 V / DC 24 V



TRC24A-SR LR24A-MF
LR(C)24A-SR NR24A-MF
NR(C)24A-SR SR24A-MF
SR24A-SR



LR24A-MP NR24A-MP
SR24A-MP

LONWORKS® AC 24 V / DC 24 V

