

CLSN2T10 Strap-On Temperature Sensor

Product Data



GENERAL

The CLSN2T10 Strap-On Temperature Sensor is used for temperature measurement on warm/hot water pipes. It can be employed for hot and cold water installations in the following control systems:

- PANTHER
- SERVAL
- TIGER

or other systems using NTC20k Ω temperature sensing elements.

FEATURES

- NTC20k Ω temperature sensing element.
- Wide sensing range.
- High accuracy

SPECIFICATIONS

Sensor element	NTC20k Ω thermistor
Resistance	20 k Ω at 25 °C
Operating range	0...+110 °C
Accuracy	0.3 K +1% • t - 25 °C (t in °C)
Sensitivity	\approx -934.5 Ω / K at 25 °C (non-linear)
Response time	$\tau_{0.5} \approx$ 1 minute
Dimensions (H x W x D)	See Fig. 2
Housing	Plastic (PC), 100 g
Electrical connection	terminals for 2 x 1.5 mm ² cable
Transport / storage	-35...+70 °C
Humidity	5...95% r.h., non-condensing
Protection standard	IP 30

For technical information on the NTC thermistor, see EN0B-0476GE51.

INSTALLATION

NOTE: Use shielded wiring in areas with high EMI.
Keep 15 cm minimum distance between sensor lines and 230 Vac power lines.

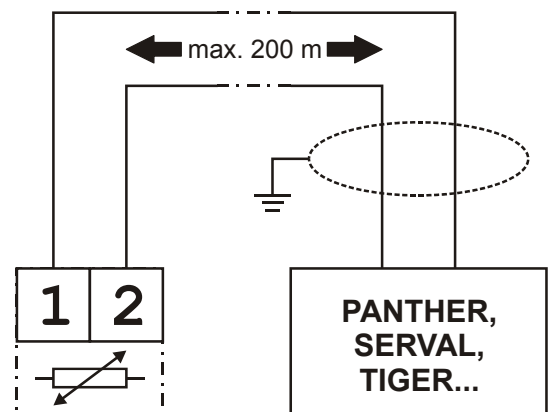


Fig. 1. Wiring

DIMENSIONS

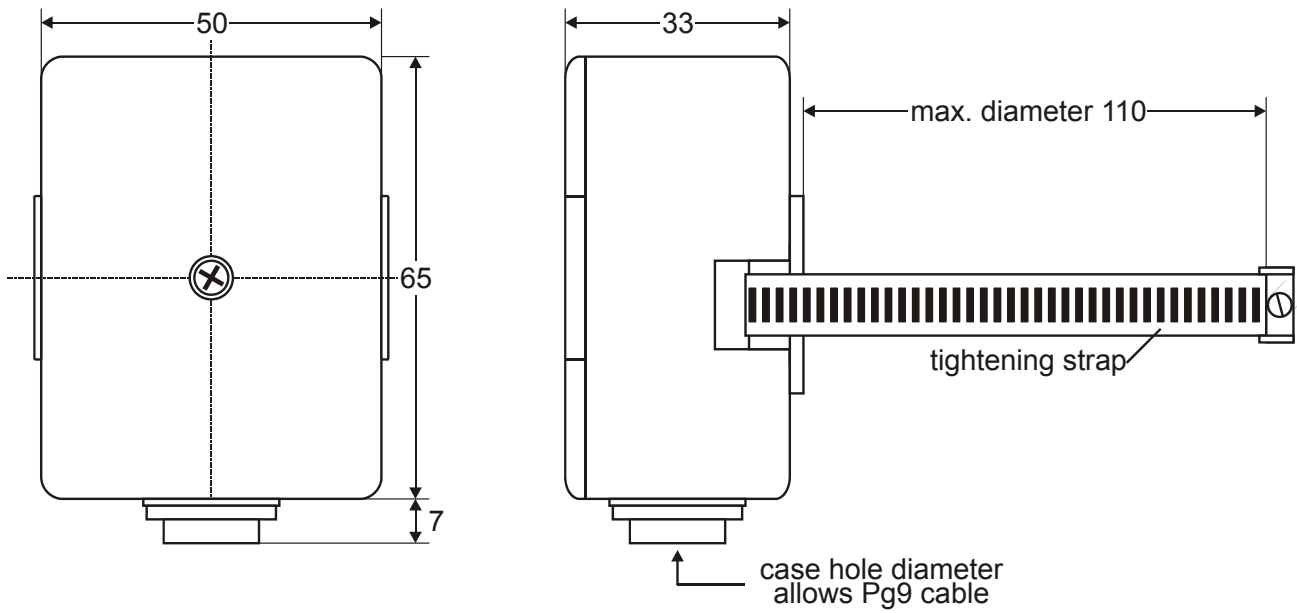


Fig. 2. Dimensions (in mm)

Manufactured for and on behalf of the Environmental and Combustion Controls Division of Honeywell Technologies Sàrl, Ecublens, Route du Bois 37, Switzerland by its Authorized Representative:

CentraLine
Honeywell GmbH
Böblinger Straße 17
D-71101 Schönaich
Tel +49 7031 637 845
Fax +49 7031 637 846
info@centraline.com
www.centraline.com

Printed in Germany.
Subject to change
without notice.
EN0Z-0916GE51 R0608

CENTRA[®]
LINE
by Honeywell