



FEATURES

- The CLMMI00N22 features an MMI with a backlit LCD screen capable of displaying West European, East European, Turkish, and Cyrillic characters.
- The CLMMI00N22 is suitable for use as a desk-top device or for installation in a cabinet door.
- Bus-wide access to all PANTHER / TIGER controllers on the same bus.

GENERAL

The CLMMI00N22 is a member of the PANTHER family of controllers. It comes complete with a cabinet door mounting kit for installation in cabinet doors, but is also suitable for use as a desk-top device.

The CLMMI00N22 is a bus-wide MMI and can be connected to the B-port of any TIGER or PANTHER controller and used to display information about all of the TIGER / PANTHER controllers located throughout the system.

The CLMMI00N22 draws its power from the controller to which it is connected and is thus powered by the same transformer.

SPECIFICATIONS

Backlit LED Display

The CLMMI00N22 features a keypad (with eight function keys and four fast-access keys).

The CLMMI00N22 also features an LCD display. The LCD display (four lines, 16 characters per line) is a dot matrix display (240 x 64 dots) with electroluminescent backlighting and an effective lifetime of 3,000 hours (actual active time). The backlighting is activated by key operation and thereafter remains active for 2 minutes. The contrast can be adjusted manually with a screwdriver via the potentiometer accessible through the back cover.

Mounting Options

- Front door mounted.
- Suitable for use as a table-top device after attachment of the pedestals (included in delivery).

Connection

The CLMMI00N22 can be connected to the B-port of any TIGER or PANTHER controller as follows:

CLMMI00N22 connected with	via cable
LION	XW882
PANTHER, MINI-PANTHER	XW582
XC5010C	XW582
XC5010B	XW564, or XW582+XW584
XL100C	XW582
XL100B	XW564, or XW582+XW584
TIGER, XL50	XW582

Communication over the cable is via an RS232 interface, and is at a rate of 9600 baud.

Power Supply

The CLMMI00N22 draws its power from the B-Port of the TIGER / PANTHER controller to which it is connected via the cable and is thus powered by the same transformer.

Power Consumption

2 VA.

Environmental Ratings

Operating temperature: 0...50 °C
 Storage temperature: -20...+70 °C
 Relative humidity: 5...93% non-condensing
 Pollution degree: Class II

Protection Standards

IP54 (when front-door mounted with MMI in a cabinet conforming to IP54).

Certifications

- CE
- Meets FCC Part 15, Subpart J for Class A equipment.

DIMENSIONS

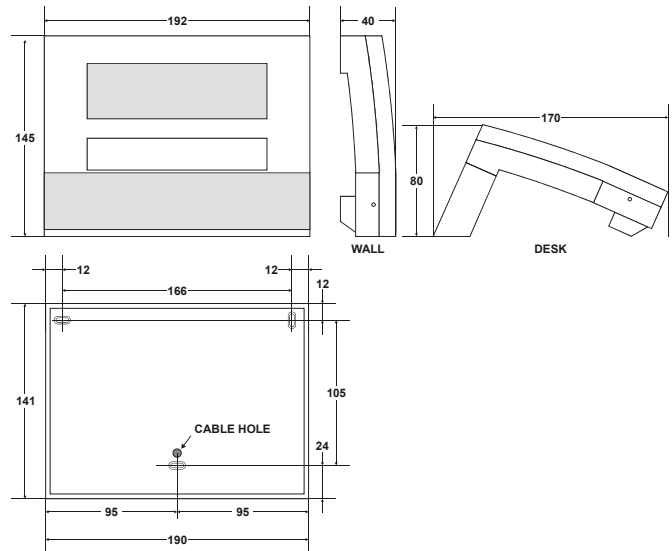


Fig. 1. Dimensions (in mm)

Manufactured for and on behalf of the Environmental and Combustion Controls Division of Honeywell Technologies Sàrl, Rolle, Z.A. La Pièce 16, Switzerland by its Authorized Representative:

Centraline
 Honeywell GmbH
 Böblinger Strasse 17
 71101 Schönaich / Germany
 Tel +49 7031 637 845
 Fax +49 7031 637 846
info@centraline.com
www.centraline.com

Centraline
 Honeywell Control Systems Ltd.
 Arlington Business Park
 UK-Bracknell, Berkshire RG12 1EB
 Tel +44 13 44 656 565
 Fax +44 13 44 656 563
info-uk@centraline.com
www.centraline.com

Printed in Germany.
 Subject to change
 without notice.
 EN0Z-0912GE51 R0309

