

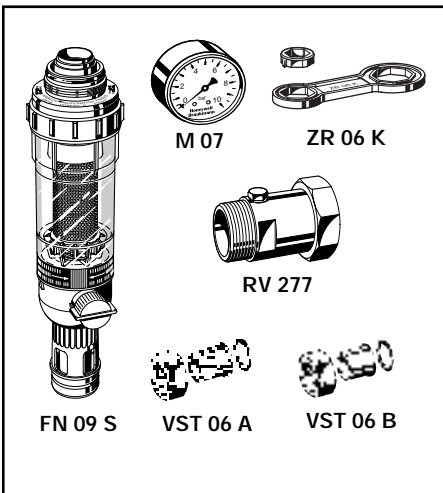
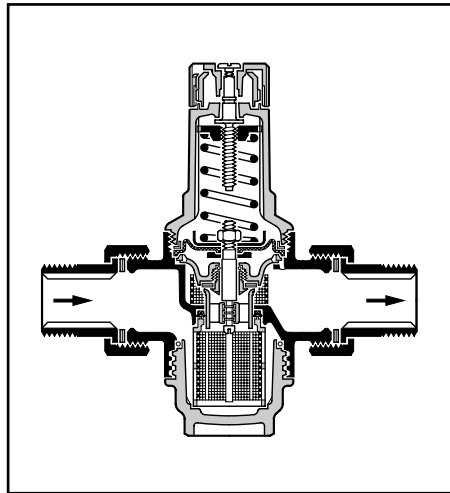
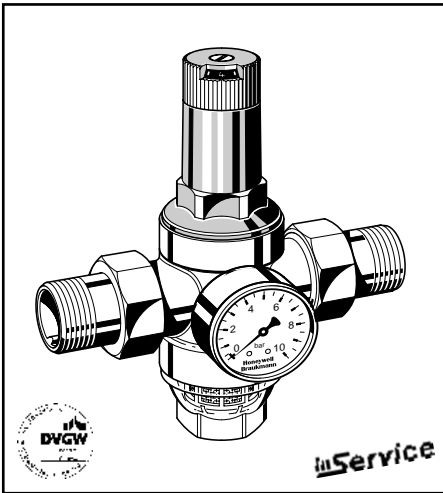
Pressure reducing valves and pressure regulators

D 06 F	Pressure reducing valves Standard version	2	D 15	Pressure reducing valves Standard version	20
D 06 FH	Pressure reducing valves High pressure version	8	D 15 N	Pressure reducing valves Low pressure version	22
D 06 FN	Pressure reducing valves Low pressure version	10	D 17	Pressure reducing valves Standard version	24
D 07	Pressure reducing valves Standard version	12	D 17 N	Pressure reducing valves Low pressure version	26
D 07 H	Pressure reducing valves High pressure version	14	D 22	Pressure reducing valves Standard version	28
D 16	Pressure reducing valves Standard version	16	D 205	Pressure regulators Standard version	30
D 16 N	Pressure reducing valves Low pressure version	18	D 205 N	Pressure regulators Low pressure version	34
			D 544	Pressure regulators Standard version	38
			D 544 N	Pressure regulators Low pressure version	40
			D 554	Pressure regulators Standard version	42
			D 554 N	Pressure regulators Low pressure version	44
				Pressure reducing valves – What to do if...	46



D 06 F pressure reducing valves

1997 and onwards

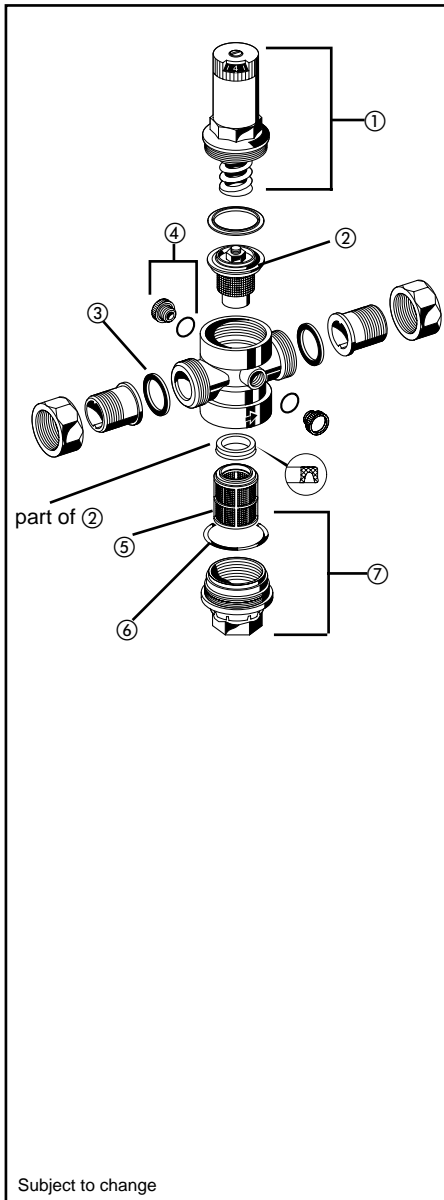


Accessories

- FN 09 S** **HABEDO® retrofit filter**
Reverse rinsing filter for retro conversion of D 06 F pressure reducing valves from 1977 onwards into a filter combination.
- M 07** **Pressure gauge**
Housing 63 mm, rear connection G 1/4".
Ranges:
0 – 4, 0 – 10, 0 – 16, 0 – 25 bar.
Please state pressure range when ordering.
- ZR 06 K** **Double ring wrench**
For removing spring bonnet and filter bowl on sizes R 1/2" – 2"
- RV 277** **Inlet check valve**
For D 06 F of sizes R 3/4" – 2"
- VST 06** **Connection set**
With threaded or soldered connections
A = threaded tailpiece
B = soldered tailpiece

D 06 F pressure reducing valves - Service parts

1997 and onwards

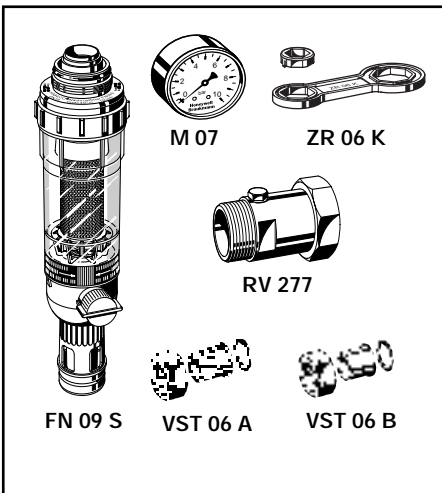
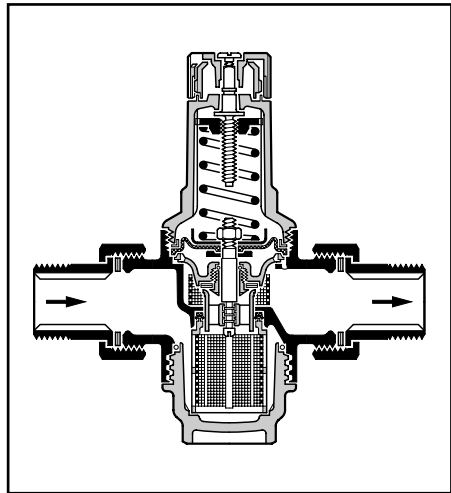
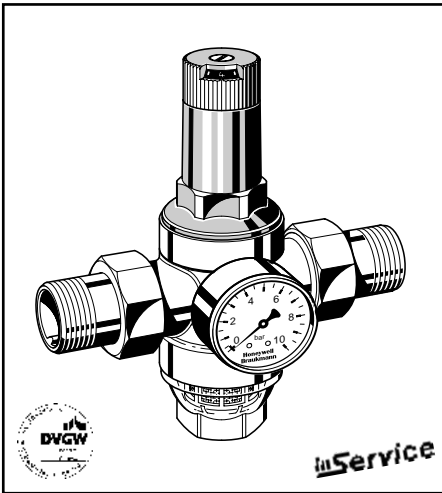


Subject to change

Description	Nominal size	Part number
① Spring bonnet complete	1/2" + 3/4"	0901515
	1" + 1 1/4"	0901516
	1 1/2" + 2"	0901518
② Repair set complete (without filter)	1/2" + 3/4"	D 06 FA - 1/2
	1" + 1 1/4"	D 06 FA - 1 B
	1 1/2" + 2"	D 06 FA - 1 1/2
③ Seal ring set (pack of 10)	1/2"	0901443
	3/4"	0901444
	1"	0901445
	1 1/4"	0901446
	1 1/2"	0901447
	2"	0901448
④ Blanking plug set 1/2" - 2" with O-ring R 1/4" (pack of 5)		S 06 K - 1/4
⑤ Replacement filter	1/2" + 3/4"	ES 06 F - 1/2 A
	1" + 1 1/4"	ES 06 F - 1 B
	1 1/2" + 2"	ES 06 F - 1 1/2 A
⑥ O-ring set (pack of 10)	1/2" + 3/4"	0901246
	1" + 1 1/4"	0901499
	1 1/2" + 2"	0901248
⑦ Clear filter bowl with O-ring	1/2" + 3/4"	SK 06 T - 1/2
	1" + 1 1/4"	SK 06 T - 1 B
	1 1/2" + 2"	SK 06 T - 1 1/2
⑧ Brass filter bowl with O-ring	1/2" + 3/4"	SM 06 T - 1/2
	1" + 1 1/4"	SM 06 T - 1 B
	1 1/2" + 2"	SM 06 T - 1 1/2

D 06 F pressure reducing valves

From 1991 to 1996

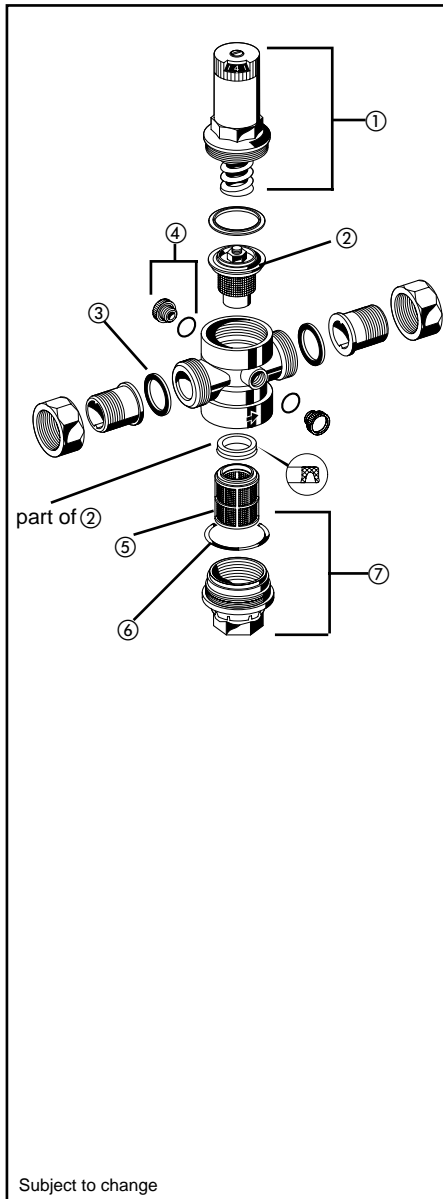


Accessories

- FN 09 S** **HABEDO®** retrofit filter
Reverse rinsing filter for retro conversion of D 06 F pressure reducing valves from 1977 onwards into a filter combination.
- M 07** **Pressure gauge**
Housing 63 mm, rear connection G 1/4".
Ranges:
0 – 4, 0 – 10, 0 – 16, 0 – 25 bar.
Please state pressure range when ordering.
- ZR 06 K** **Double ring wrench**
For removing spring bonnet and filter bowl on sizes R 1/2" – 2"
- RV 277** **Inlet check valve**
For D 06 F of sizes R 3/4" – 2"
- VST 06** **Connection set**
With threaded or soldered connections
A = threaded tailpiece
B = soldered tailpiece

D 06 F pressure reducing valves - Service parts

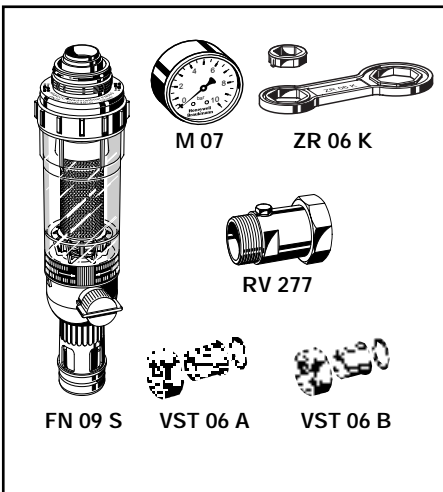
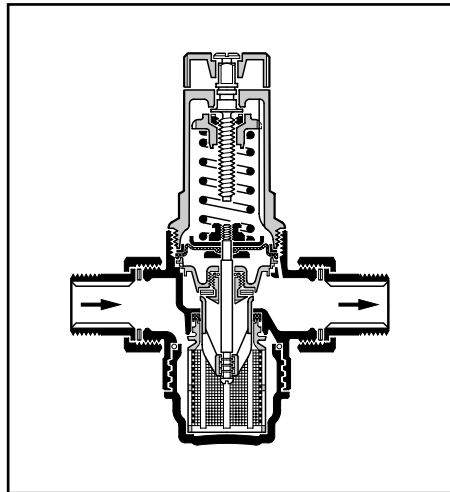
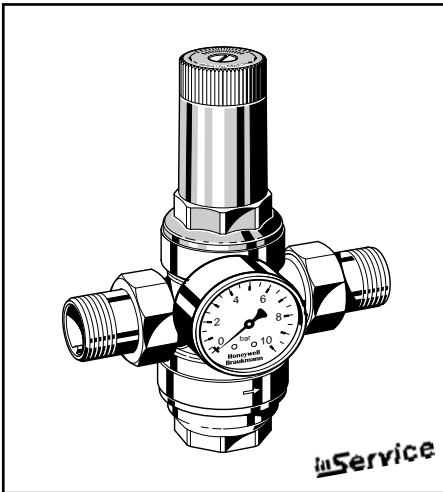
From 1991 to 1996



Description	Nominal size	Part number
① Spring bonnet complete	1/2" + 3/4"	0901515
	1"	0901516
	1 1/4"	0901517
	1 1/2" + 2"	0901518
② Repair set complete (without filter)	1/2" + 3/4"	D 06 FA - 1/2
	1"	D 06 FA - 1 B
	1 1/4"	D 06 FA - 1 A
	1 1/2" + 2"	D 06 FA - 1 1/2
③ Seal ring set (pack of 10)	1/2"	0901443
	3/4"	0901444
	1"	0901445
	1 1/4"	0901446
	1 1/2"	0901447
	2"	0901448
④ Blanking plug set with O-ring R 1/4" (pack of 5)	1/2" - 2"	S 06 K - 1/4
⑤ Replacement filter	1/2" + 3/4"	ES 06 F - 1/2 A
	1"	ES 06 F - 1 B
	1 1/4"	ES 06 F - 1 A
	1 1/2" + 2"	ES 06 F - 1 1/2 A
⑥ O-ring set (pack of 10)	1/2" + 3/4"	0901246
	1"	0901499
	1 1/4"	0901247
	1 1/2" + 2"	0901248
⑦ Clear filter bowl with O-ring	1/2" + 3/4"	SK 06 T - 1/2
	1"	SK 06 T - 1 B
	1 1/4"	SK 06 T - 1 A
	1 1/2" + 2"	SK 06 T - 1 1/2
⑧ Brass filter bowl with O-ring	1/2" + 3/4"	SM 06 T - 1/2
	1"	SM 06 T - 1 B
	1 1/4"	SM 06 T - 1 A
	1 1/2" + 2"	SM 06 T - 1 1/2

D 06 F pressure reducing valves

1977 to 1991

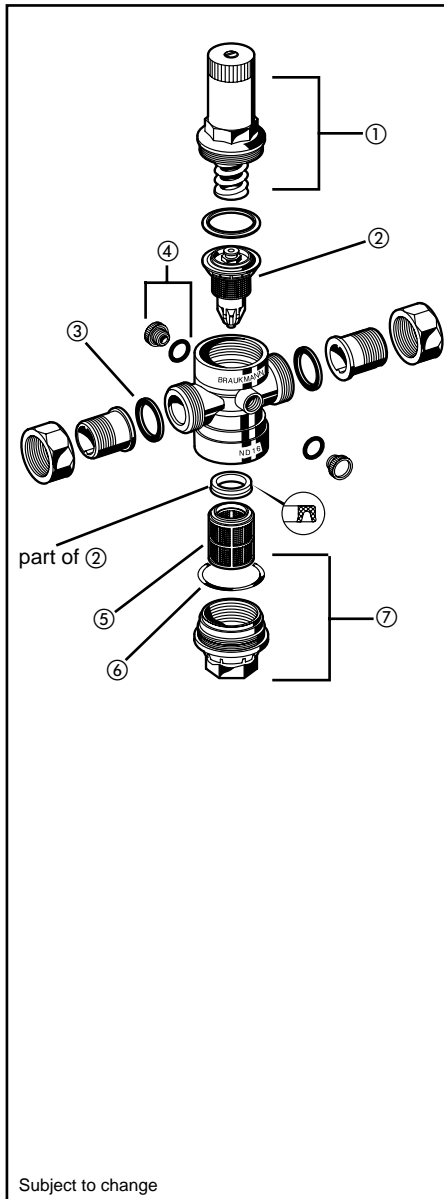


Accessories

- FN 09 S** **HABEDO® retrofit filter**
Reverse rinsing filter for retro conversion of D 06 F pressure reducing valves from 1977 onwards into a filter combination.
- M 07** **Pressure gauge**
Housing 63 mm, rear connection G 1/4".
Ranges:
0 – 4, 0 – 10, 0 – 16, 0 – 25 bar.
Please state pressure range when ordering.
- ZR 06 K** **Double ring wrench**
For removing spring bonnet and filter bowl on sizes R 1/2" – 2"
- RV 277** **Inlet check valve**
For D 06 F of sizes R 3/4" – 2"
- VST 06** **Connection set**
With threaded or soldered connections
A = threaded tailpiece
B = soldered tailpiece

D 06 F pressure reducing valves - Service parts

From 1977 to 1991

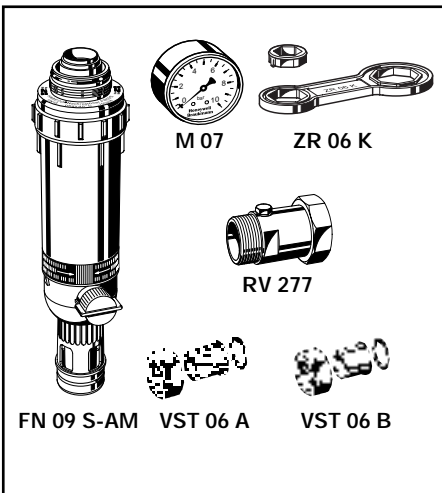
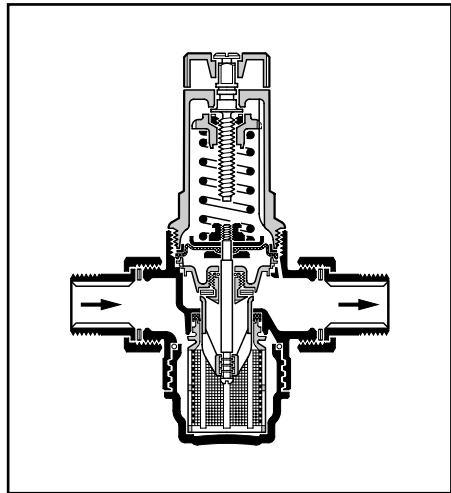
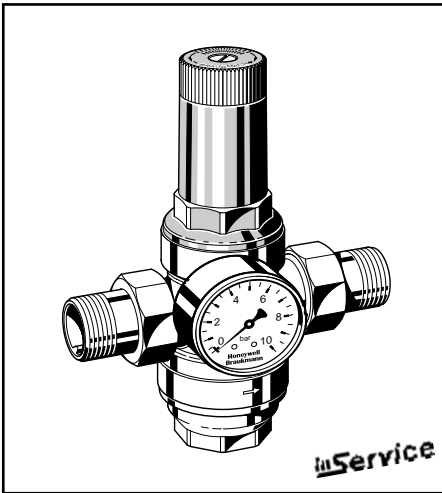


Subject to change

Description	Nominal size	Part number
① Spring bonnet complete	1/2" + 3/4"	0900152
	1" + 1 1/4"	0900153
	1 1/2" + 2"	0900154
② Repair set complete (without filter)	1/2" + 3/4"	D 06 FA - 1/2
	1" + 1 1/4"	D 06 FA - 1 A
	1 1/2" + 2"	D 06 FA - 1 1/2
③ Seal ring set (pack of 10)	1/2"	0901443
	3/4"	0901444
	1"	0901445
	1 1/4"	0901446
	1 1/2"	0901447
	2"	0901448
④ Blanking plug set with O-ring R 1/4" (pack of 5)	1/2" - 2"	S 06 K - 1/4
⑤ Replacement filter	1/2" + 3/4"	ES 06 F - 1/2 A
	1" + 1 1/4"	ES 06 F - 1 A
	1 1/2" + 2"	ES 06 F - 1 1/2 A
⑥ O-ring set (pack of 10)	1/2" + 3/4"	0901246
	1" + 1 1/4"	0901247
	1 1/2" + 2"	0901248
⑦ Clear filter bowl with O-ring	1/2" + 3/4"	SK 06 T - 1/2
	1" + 1 1/4"	SK 06 T - 1 A
	1 1/2" + 2"	SK 06 T - 1 1/2
⑧ Brass filter bowl with O-ring	1/2" + 3/4"	SM 06 T - 1/2
	1" + 1 1/4"	SM 06 T - 1 A
	1 1/2" + 2"	SM 06 T - 1 1/2

D 06 FH pressure reducing valves

1977 and onwards



Accessories

FN 09 S-AM HABEDO® retrofit filter

Reverse rinsing filter for retro conversion of D 06 FH pressure reducing valves from 1977 onwards into a filter combination, with red bronze filter bowl.

M 07 Pressure gauge

Housing 63 mm, rear connection G 1/4".
Ranges:
0 – 4, 0 – 10, 0 – 16, 0 – 25 bar.
Please state pressure range when ordering.

ZR 06 K Double ring wrench

For removing spring bonnet and filter bowl on sizes R 1/2" – 2"

RV 277 Inlet check valve

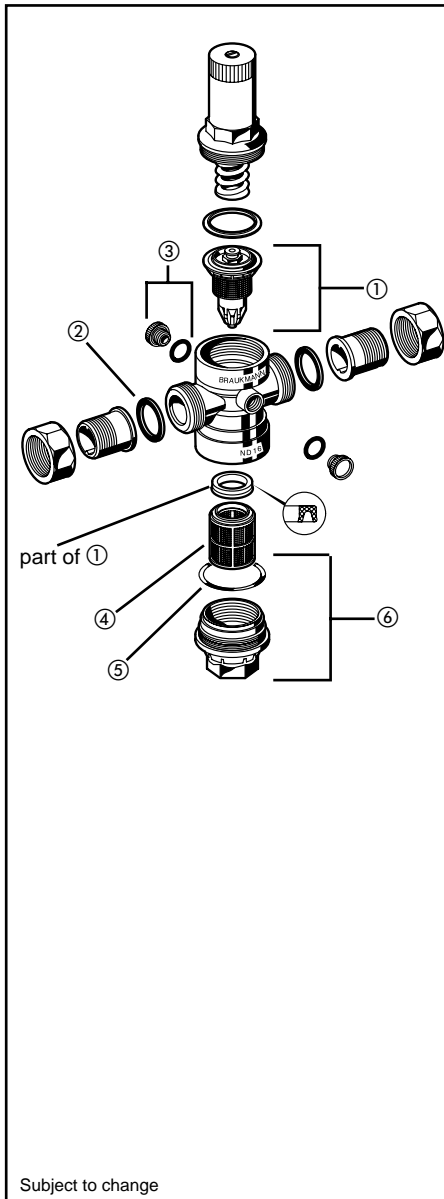
For D 06 FH of sizes R 3/4" – 2"

VST 06 Connection set

With threaded or soldered connections
A = threaded tailpiece
B = soldered tailpiece

D 06 FH pressure reducing valves - Service parts

1977 and onwards

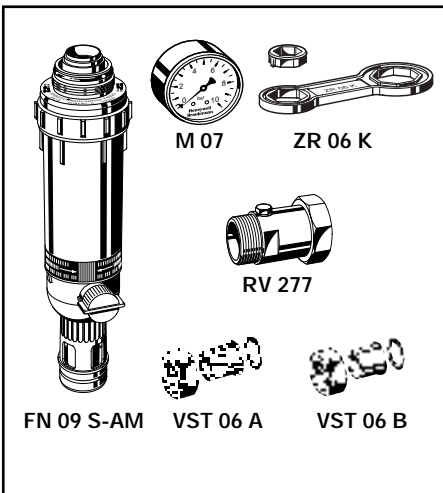
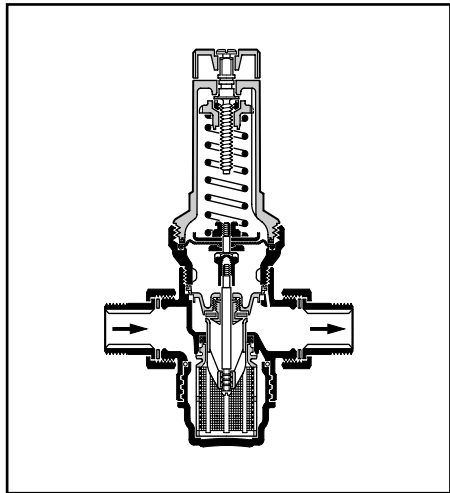
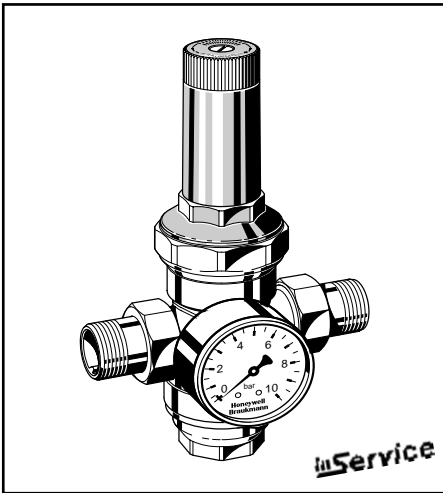


Subject to change

Description	Nominal size	Part number
① Repair set complete (without filter)	$1/2" + 3/4"$	D 06 FA - $1/2$
	$1" + 1 1/4"$	D 06 FA - 1 A
	$1 1/2" + 2"$	D 06 FA - $1 1/2$
② Seal ring set (pack of 10)	$1/2"$	0901443
	$3/4"$	0901444
	$1"$	0901445
	$1 1/4"$	0901446
	$1 1/2"$	0901447
	$2"$	0901448
③ Blanking plug set with O-ring R $1/4"$ (pack of 5)	$1/2" - 2"$	S 06 K - $1/4$
④ Replacement filter	$1/2" + 3/4"$	ES 06 F - $1/2$ A
	$1" + 1 1/4"$	ES 06 F - 1 A
	$1 1/2" + 2"$	ES 06 F - $1 1/2$ A
⑤ O-ring set (pack of 10)	$1/2" + 3/4"$	0901246
	$1" + 1 1/4"$	0901247
	$1 1/2" + 2"$	0901248
⑥ Brass filter bowl with O-ring	$1/2" + 3/4"$	SM 06 T - $1/2$
	$1" + 1 1/4"$	SM 06 T - 1 A
	$1 1/2" + 2"$	SM 06 T - $1 1/2$

D 06 FN pressure reducing valves

1977 and onwards



Accessories

FN 09 S-AM HABEDO® retrofit filter

Reverse rinsing filter for retro conversion of D 06 FN pressure reducing valves from 1977 onwards into a filter combination, with red bronze filter bowl.

M 07 Pressure gauge

Housing 63 mm, rear connection G 1/4".

Ranges:

0 – 4, 0 – 10, 0 – 16, 0 – 25 bar.

Please state pressure range when ordering.

ZR 06 K Double ring wrench

For removing spring bonnet and filter bowl on sizes R 1/2" – 2"

RV 277 Inlet check valve

For D 06 FN of sizes R 3/4" – 2"

VST 06 Connection set

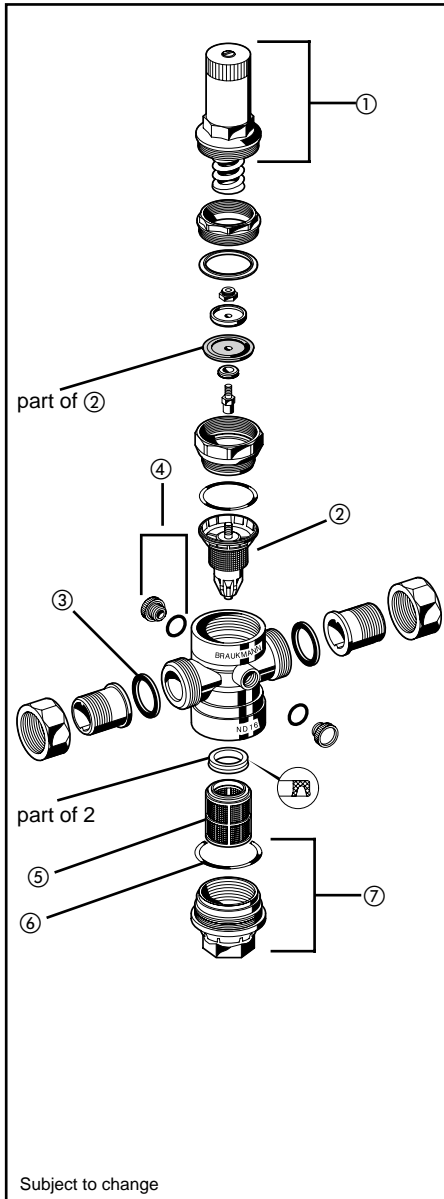
With threaded or soldered connections

A = threaded tailpiece

B = soldered tailpiece

D 06 FN pressure reducing valves - Service parts

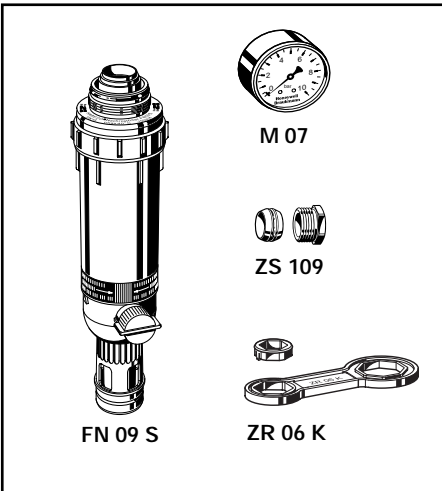
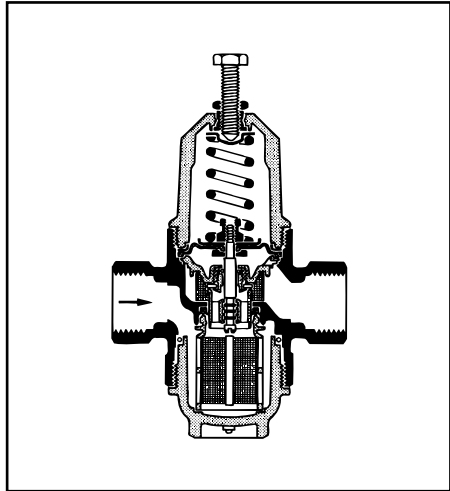
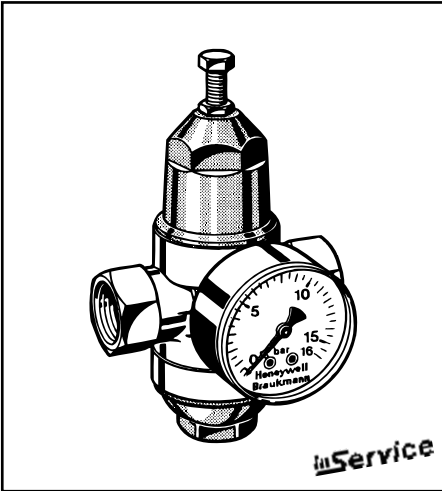
1977 and onwards



Description	Nominal size	Part number
① Spring bonnet complete	1/2" + 3/4"	0900153
	1" + 1 1/4"	0900154
	1 1/2" + 2"	0900229
② Repair set complete (without filter)	1/2" + 3/4"	D 06 FNA - 1/2
	1" + 1 1/4"	D 06 FNA - 1
	1 1/2" + 2"	D 06 FNA - 1 1/2
③ Seal ring set (pack of 10)	1/2"	0901443
	3/4"	0901444
	1"	0901445
	1 1/4"	0901446
	1 1/2"	0901447
2"	0901448	
④ Blanking plug set 1/2" – 2" with O-ring R 1/4" (pack of 5)		S 06 K - 1/4
⑤ Replacement filter	1/2" + 3/4"	ES 06 F - 1/2 A
	1" + 1 1/4"	ES 06 F - 1 A
	1 1/2" + 2"	ES 06 F - 1 1/2 A
⑥ O-ring set (pack of 10)	1/2" + 3/4"	0901246
	1" + 1 1/4"	0901247
	1 1/2" + 2"	0901248
⑦ Brass filter bowl with O-ring	1/2" + 3/4"	SM 06 T - 1/2
	1" + 1 1/4"	SM 06 T - 1 A
	1 1/2" + 2"	SM 06 T - 1 1/2

D 07 pressure reducing valves

1987 and onwards

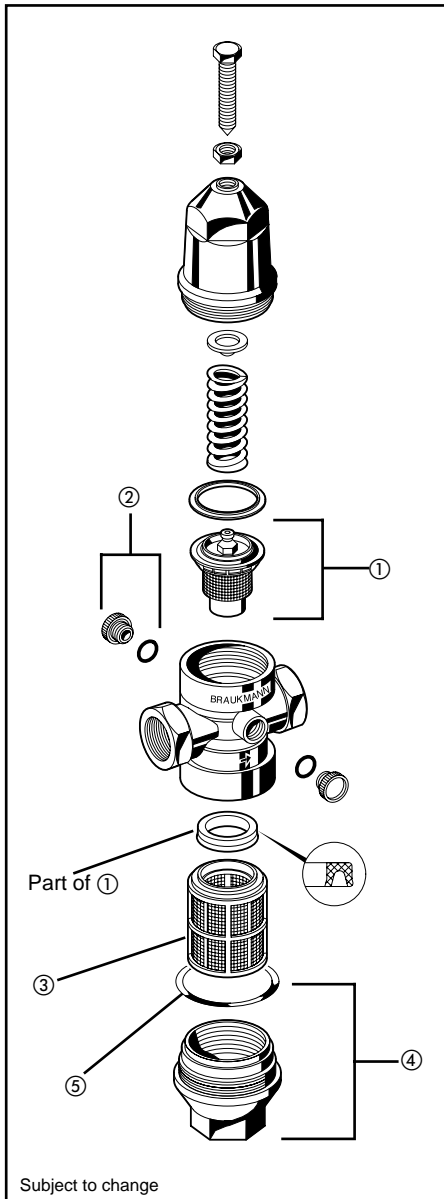


Accessories

- FN 09 S** **HABEDO®** retrofit filter
Reverse rinsing filter for retro conversion of D 07 pressure reducing valves into a filter combination
- M 07** **Pressure gauge**
Housing 63 mm, rear connection G 1/4".
Ranges:
0 – 4, 0 – 10, 0 – 16, 0 – 25 bar.
Please state pressure range when ordering.
- ZS 109** **Compression fitting for copper tube**
ZS 109 - 1/2" D (Ø 14 mm)
ZS 109 - 1/2" E (Ø 15 mm)
ZS 109 - 1/2" F (Ø 16 mm)
ZS 109 - 3/4" F (Ø 16 mm)
ZS 109 - 3/4" G (Ø 18 mm)
ZS 109 - 3/4" H (Ø 22 mm)
- ZR 06 K** **Double ring wrench**
For removing filter bowl on sizes R 1/2" – 1"

D 07 pressure reducing valves - Service parts

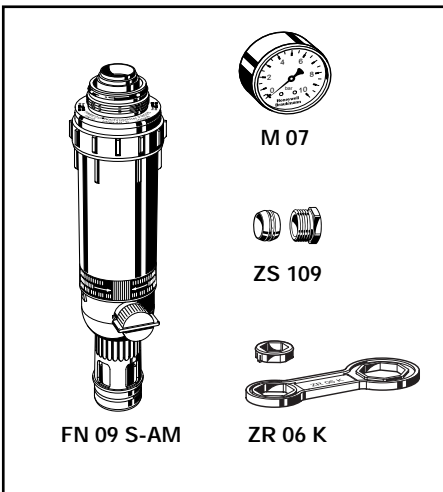
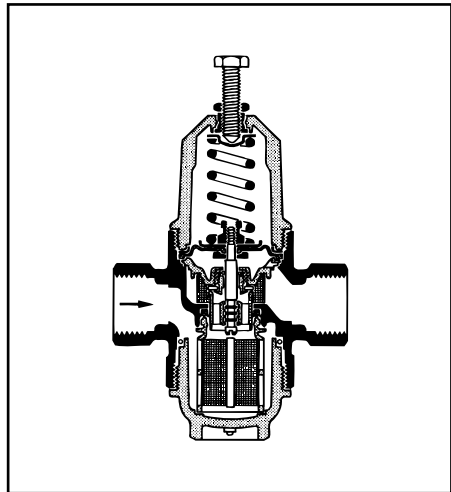
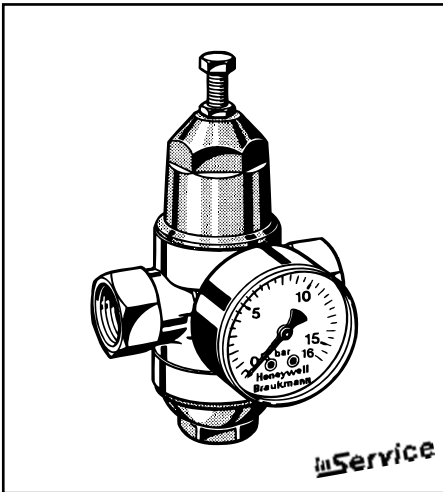
1987 and onwards



Description	Nominal size	Part number
① Repair set complete (without filter)	1/2" + 3/4"	D 07 AE - 1/2
	1"	D 07 AE - 1
② Blanking plug set with O-ring R 1/4" (pack of 5)	1/2" - 1"	S 06 K - 1/4
③ Replacement filter	1/2" + 3/4"	ES 06 F - 1/2 A
	1"	ES 06 F - 1 A
④ Plastics filter bowl with O-ring	1/2" + 3/4"	SK 07 - 1/2 A
	1"	SK 07 - 1 A
⑤ Brass filter bowl with O-ring	1/2" + 3/4"	SM 06 T - 1/2
	1"	SM 06 T - 1 A
⑥ O-ring set (pack of 10)	1/2" + 3/4"	0901246
	1"	0901247

D 07 H pressure reducing valves

1987 and onwards



Accessories

FN 09 S-AM HABEDO® retrofit filter

Reverse rinsing filter for retro conversion of D 07 pressure reducing valves into a filter combination, with red bronze filter bowl.

M 07 Pressure gauge

Housing 63 mm, rear connection G 1/4".

Ranges:

0 – 4, 0 – 10, 0 – 16, 0 – 25 bar.

Please state pressure range when ordering.

ZS 109 Compression fitting for copper tube

ZS 109 - 1/2" D (Ø 14 mm)

ZS 109 - 1/2" E (Ø 15 mm)

ZS 109 - 1/2" F (Ø 16 mm)

ZS 109 - 3/4" G (Ø 18 mm)

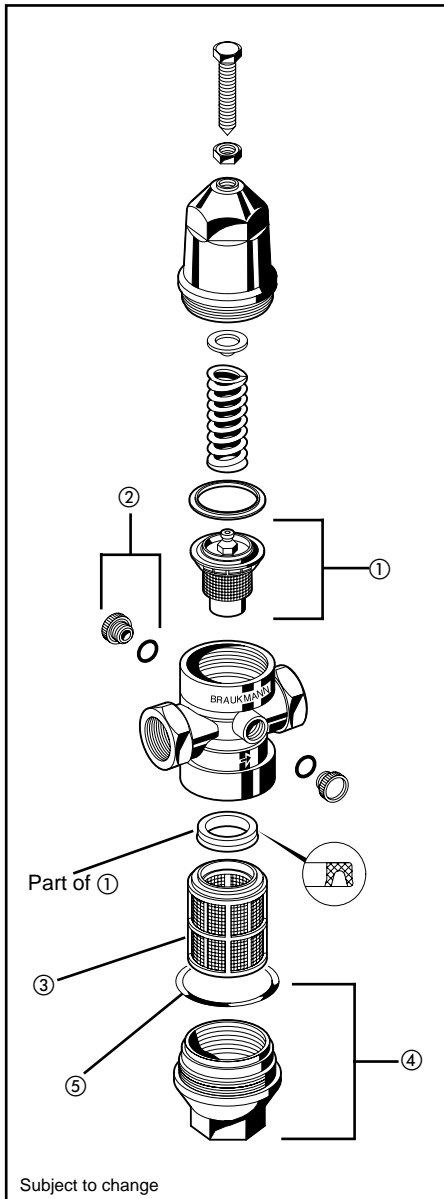
ZS 109 - 3/4" H (Ø 22 mm)

ZR 06 K Double ring wrench

For removing filter bowl on sizes R 1/2" – 1"

D 07 H pressure reducing valves - Service parts

1987 and onwards

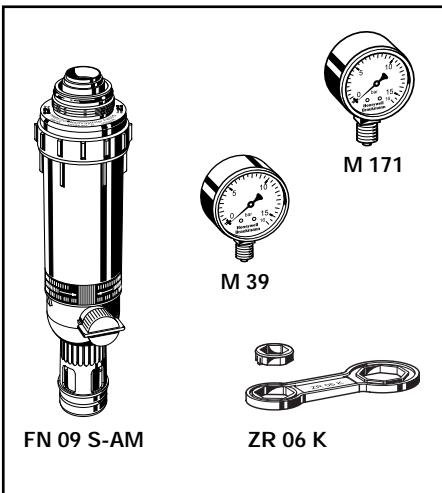
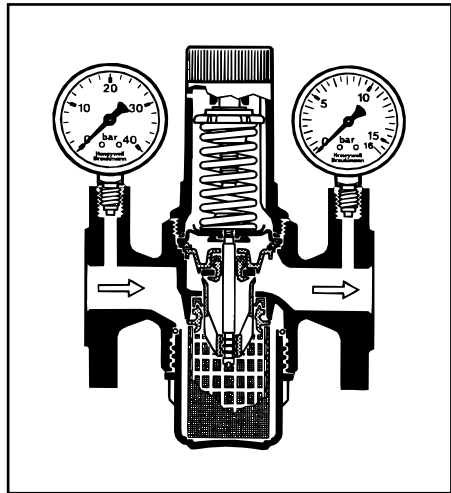
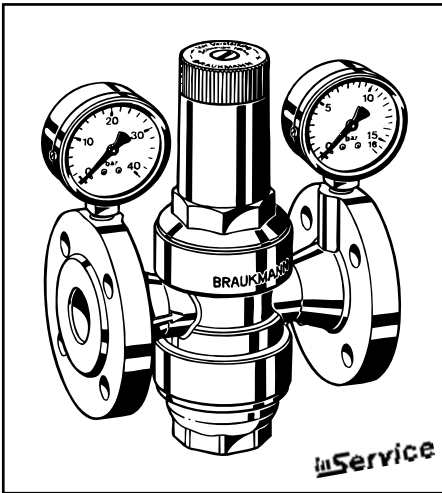


Description	Nominal size	Part number
① Repair set complete (without filter)	$\frac{1}{2}'' + \frac{3}{4}''$	D 07 AE - $\frac{1}{2}$
	1"	D 07 AE - 1
② Blanking plug set with O-ring R $\frac{1}{4}''$ (pack of 5)	$\frac{1}{2}'' - 1''$	S 06 K - $\frac{1}{4}$
③ Replacement filter	$\frac{1}{2}'' + \frac{3}{4}''$	SM 06 T - $\frac{1}{2}$ A
	1"	SM 06 T - 1 A
④ Brass filter bowl with O-ring	$\frac{1}{2}'' + \frac{3}{4}''$	SM 06 T - $\frac{1}{2}$
	1"	SM 06 T - 1 A
⑤ O-ring set (pack of 10)	$\frac{1}{2}'' + \frac{3}{4}''$	0901246
	1"	0901247

Subject to change

D 16 pressure reducing valves

1983 and onwards

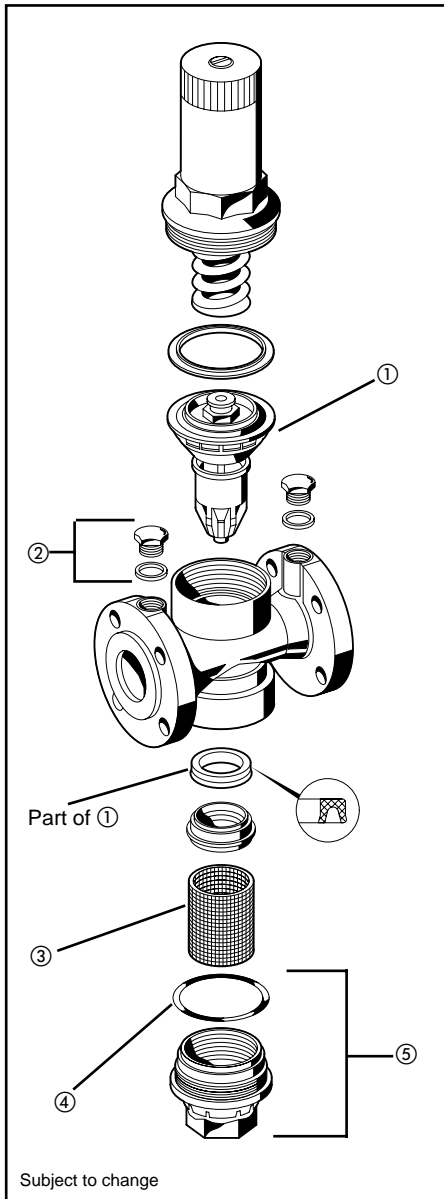


Accessories

- FN 09 S-AM HABEDO® retrofit filter**
Reverse rinsing filter for retro conversion of D 16 pressure reducing valves into a filter combination.
- M 171 Pressure gauge (for DN 15 + DN 20)**
Housing 50 mm Ø. Bottom connection G 1/4".
Ranges:
0 – 4, 0 – 16, 0 – 40 bar.
Please state pressure range when ordering.
- M 39 Pressure gauge (for DN 25, DN 32 and DN 40)**
Housing 63 mm Ø. Bottom connection G 1/4".
Ranges:
0 – 4, 0 -10, 0 – 16, 0 – 40 bar.
Please state pressure range when ordering
- ZR 06 K Double ring wrench**
For removing spring bonnet and filter bowl on sizes DN 15 to DN 40

D 16 pressure reducing valves - Service parts

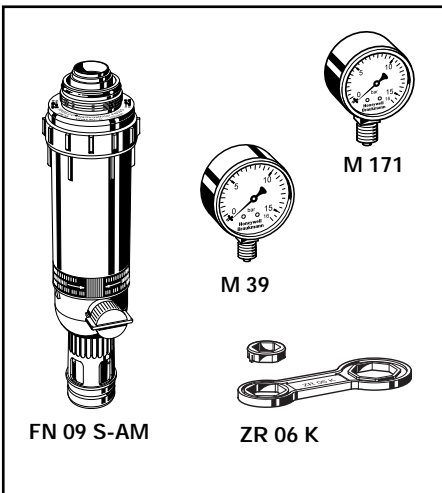
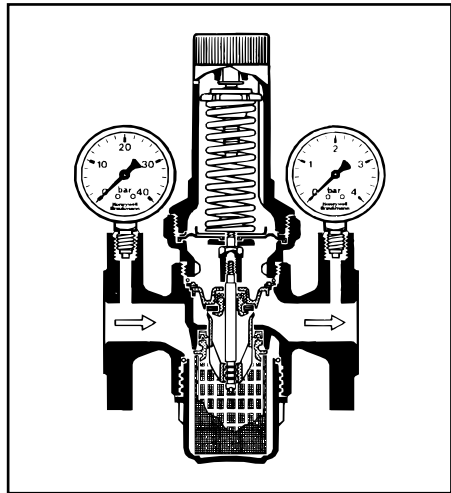
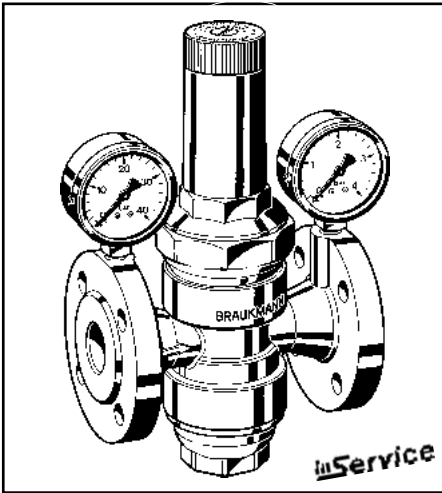
1983 and onwards



Description	Nominal size	Part number
① Repair set complete	DN 15 + 20	D 16 A - 15
	DN 25 + 32	D 16 A - 25
	DN 40	D 16 A - 40
② Blanking plug with O-ring R 1/4" (pack of 5)	DN 15 - 40	S 06 M - 1/4
③ Replacement filter	DN 15 + 20	ES 16 - 15
	DN 25 + 32	ES 16 - 25
	DN 40	ES 16 - 40
④ O-ring set (pack of 10)	DN 15 + 20	0901246
	DN 25 + 32	0901247
	DN 40	0901248
⑤ Brass filter bowl with O-ring	DN 15 + 20	SM 06 T - 1/2
	DN 25 + 32	SM 06 T - 1 A
	DN 40	SM 06 T - 1 1/2

D 16 N pressure reducing valves

1983 and onwards



FN 09 S-AM

M 39

M 171

ZR 06 K

Accessories

FN 09 S-AM HABEDO® retrofit filter

Reverse rinsing filter for retro conversion of D 16 N pressure reducing valves into a filter combination.

M 171 Pressure gauge (for DN 15 + DN 20)

Housing 50 mm Ø. Bottom connection G 1/4".

Ranges:

0 – 4, 0 – 16, 0 – 40 bar.

Please state pressure range when ordering.

M 39 Pressure gauge (for DN 25, DN 32 and DN 40)

Housing 63 mm Ø. Bottom connection G 1/4".

Ranges:

0 – 4, 0 -10, 0 – 16, 0 – 40 bar.

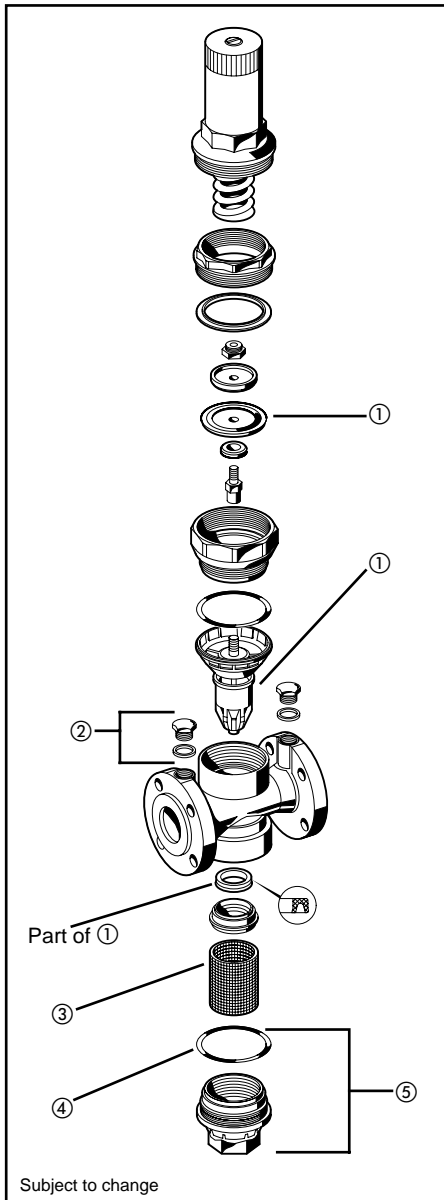
Please state pressure range when ordering

ZR 06 K Double ring wrench

For removing spring bonnet and filter bowl on sizes DN 15 to DN 40

D 16 N pressure reducing valves - Service parts

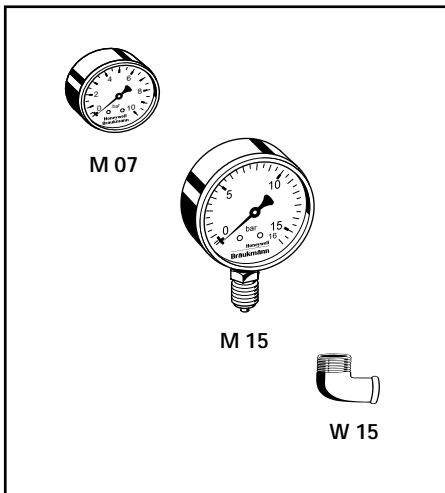
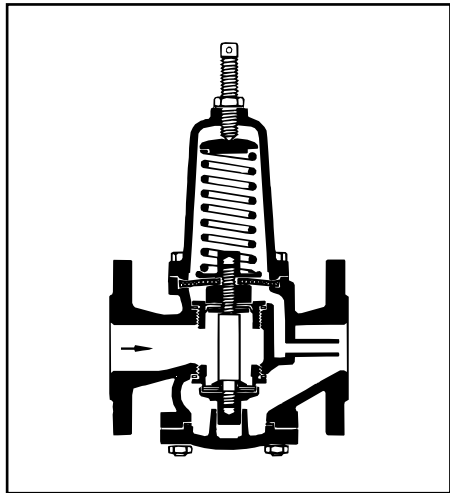
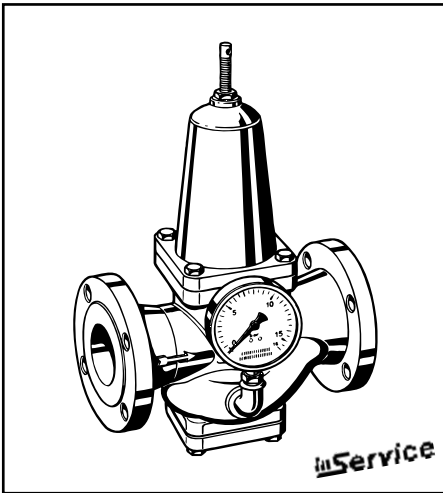
1983 and onwards



Description	Nominal size	Part number
① Repair set complete	DN 15 + 20	D 16 NA - 15
	DN 25 + 32	D 16 NA - 25
	DN 40	D 16 NA - 40
② Blanking plug set with O-ring R 1/4" (pack of 5)	DN 15 – 40	S 06 M - 1/4
③ Replacement filter	DN 15 + 20	ES 16 - 15
	DN 25 + 32	ES 16 - 25
	DN 40	ES 16 - 40
④ O-ring set (pack of 10)	DN 15 + 20	0901246
	DN 25 + 32	0901247
	DN 40	0901248
⑤ Brass filter bowl with O-ring	DN 15 + 20	SM 06 T - 1/2
	DN 25 + 32	SM 06 T - 1 A
	DN 40	SM 06 T - 1 1/2

D 15 pressure reducing valves

1960 and onwards

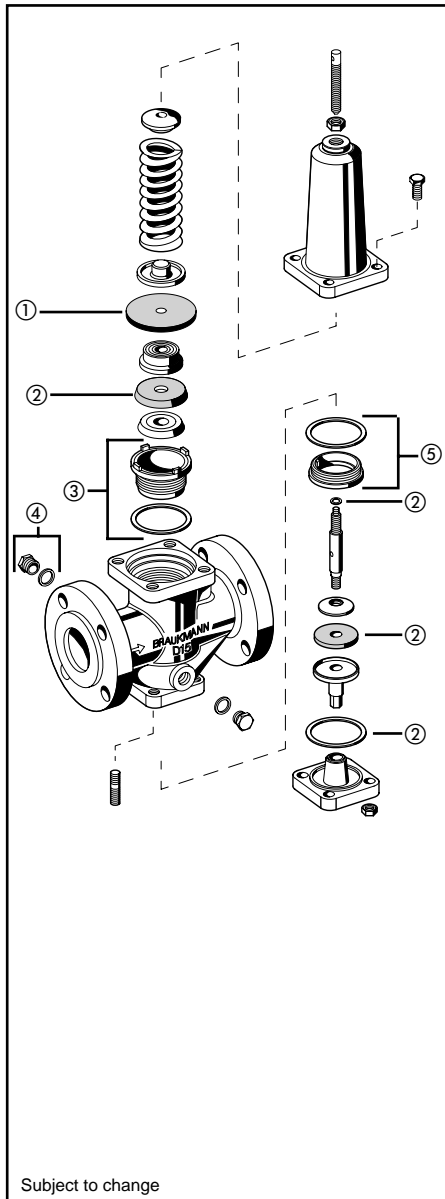


Accessories

- M 07** Pressure gauge (up to size DN 50)
Housing Ø 63 mm, Rear connection G 1/4".
Ranges:
0 – 4, 0 – 10, 0 – 16, 0 – 25 bar.
Please state pressure range when ordering.
- M 15** Pressure gauge (size DN 65 and upwards)
Housing Ø 100 mm, Bottom connection G 1/2".
Ranges:
0 – 4, 0 – 10, 0 – 16, 0 – 25 bar.
Please state pressure range when ordering
- W 15** Elbow
Galvanised malleable iron G 1/2",
for M 15 pressure gauge

D 15 pressure reducing valves - Service parts

1960 and onwards

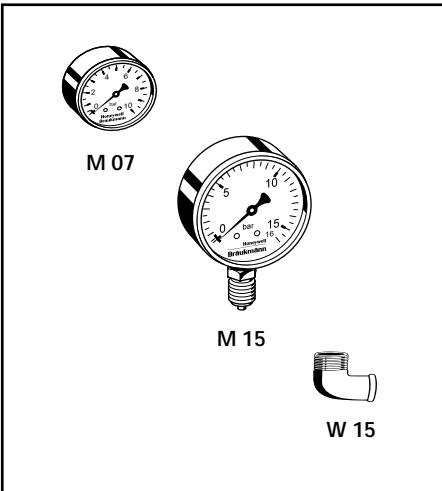
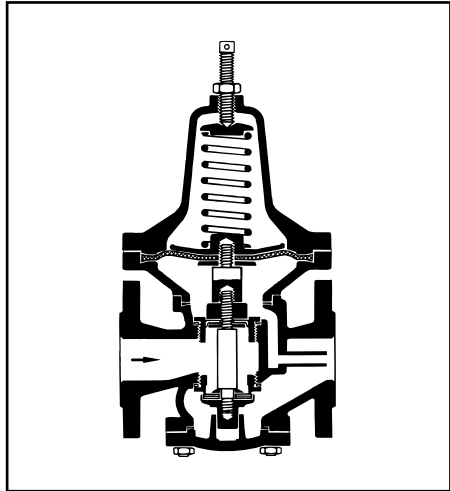
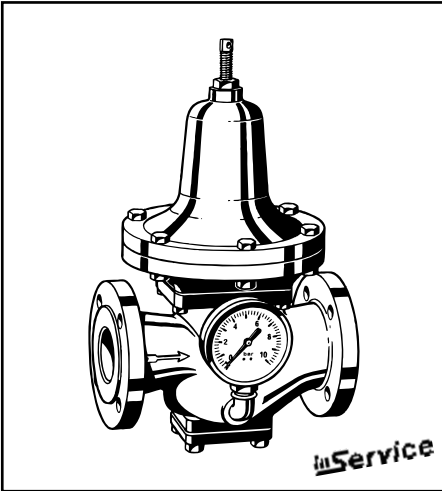


Subject to change

Description	Nominal size	Part number
① Diaphragm	DN 40	5707200
	DN 50	5707300
	DN 65	5707400
	DN 80	5707500
	DN 100	5707600
	DN 125	5707700
	DN 150	5707800
	DN 200	5707900
② Seal set	DN 40	0901352
	DN 50	0901353
	DN 65	0901354
	DN 80	0901355
	DN 100	0901356
	DN 125	0901357
	DN 150	0901358
	DN 200	0901359
③ Guide bush with seal ring	DN 40	0900254
	DN 50	0900255
	DN 65	0900256
	DN 80	0900257
	DN 100	0900258
	DN 125	0900259
	DN 150	0900260
	DN 200	0900261
④ Hexagonal blanking plug with seal ring (pack of 5)	DN 40 – 50	S 06 M -1/4
	DN 65 – 200	S 15 M -1/2
⑤ Seating bush with seal ring	DN 40	0900246
	DN 50	0900247
	DN 65	0900248
	DN 80	0900249
	DN 100	0900250
	DN 125	0900251
	DN 150	0900252
	DN 200	0900253

D 15 N pressure reducing valves

1960 and onwards

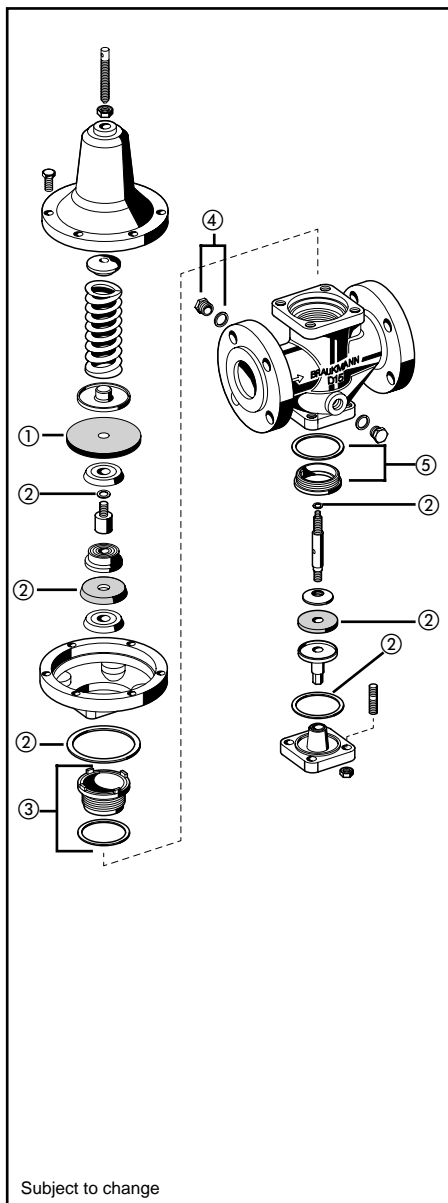


Accessories

- M 07** Pressure gauge (up to size DN 50)
Housing Ø 63 mm, rear connection G 1/4".
Ranges:
0 – 4, 0 – 10, 0 – 16, 0 – 25 bar.
Please state pressure range when ordering.
- M 15** Pressure gauge (size DN 65 and upwards)
Housing Ø 100 mm, bottom connection G 1/2".
Ranges:
0 – 4, 0 – 10, 0 – 16, 0 – 25 bar.
Please state pressure range when ordering
- W 15** Elbow
Galvanised malleable iron G 1/2", for M 15 pressure gauge

D 15 N pressure reducing valves-Service parts

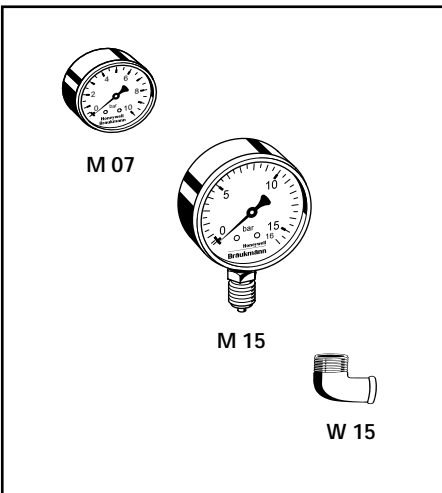
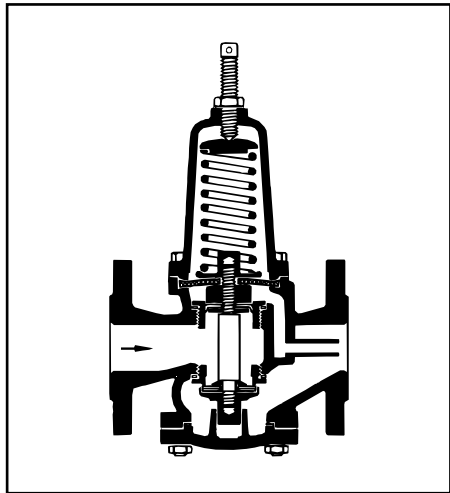
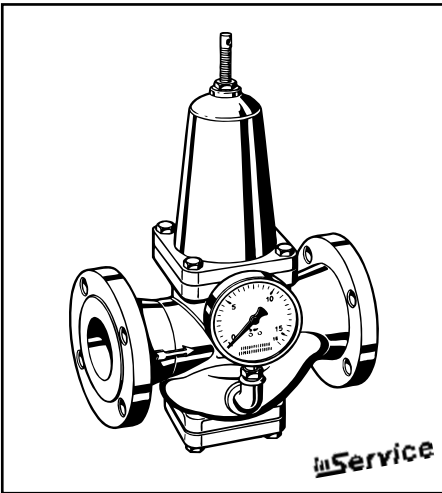
1960 and onwards



Description	Nominal size	Part number
① Diaphragm	DN 40	5708000
	DN 50	5708000
	DN 65	5708100
	DN 80	5708200
	DN 100	5708300
	DN 125	5708400
	DN 150	5708500
	DN 200	5708600
② Seal set	DN 40	0901352
	DN 50	0901353
	DN 65	0901354
	DN 80	0901355
	DN 100	0901356
	DN 125	0901357
	DN 150	0901358
	DN 200	0901359
③ Guide bush with seal ring	DN 40	0900254
	DN 50	0900255
	DN 65	0900256
	DN 80	0900257
	DN 100	0900258
	DN 125	0900259
	DN 150	0900260
	DN 200	0900261
④ Hexagonal blanking plug with seal ring (pack of 5)	DN 40 – 50	S 06 M - 1/4
	DN 65 – 200	S 15 M - 1/2
⑤ Seating bush with seal ring	DN 40	0900246
	DN 50	0900247
	DN 65	0900248
	DN 80	0900249
	DN 100	0900250
	DN 125	0900251
	DN 150	0900252
	DN 200	0900253

D 17 pressure reducing valves

1960 and onwards

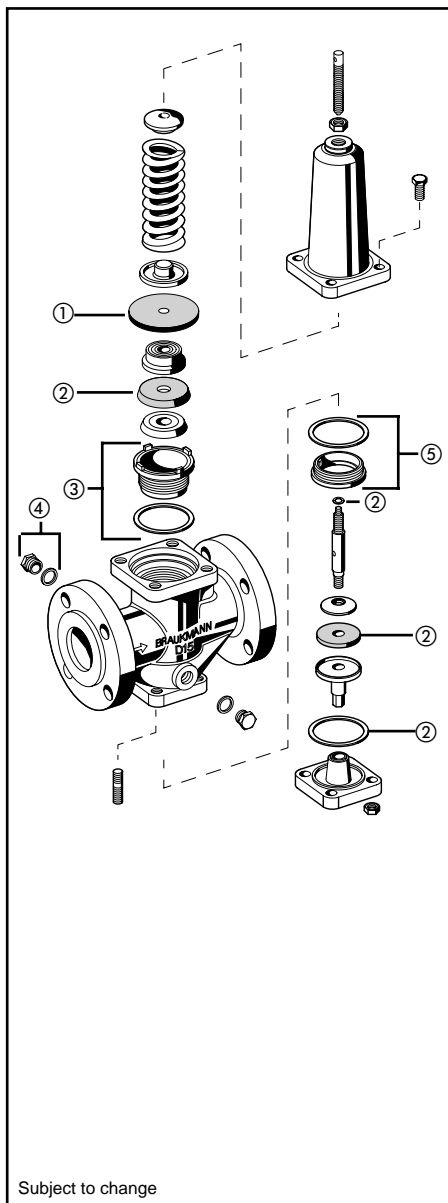


Accessories

- M 07** Pressure gauge (up to size DN 50)
Housing \varnothing 63 mm, rear connection G $\frac{1}{4}$ ".
Ranges:
0 – 4, 0 – 10, 0 – 16, 0 – 25 bar.
Please state pressure range when ordering.
- M 15** Pressure gauge (size DN 65 and upwards)
Housing \varnothing 100 mm, bottom connection G $\frac{1}{2}$ ".
Ranges:
0 – 4, 0 – 10, 0 – 16, 0 – 25 bar.
Please state pressure range when ordering
- W 15** Elbow
Galvanised malleable iron G $\frac{1}{2}$ ",
for M 15 pressure gauge

D 17 pressure reducing valves - Service parts

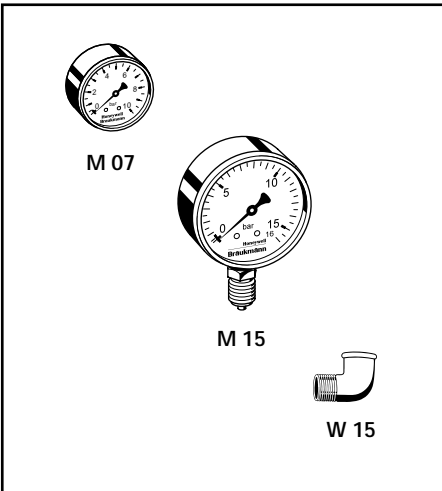
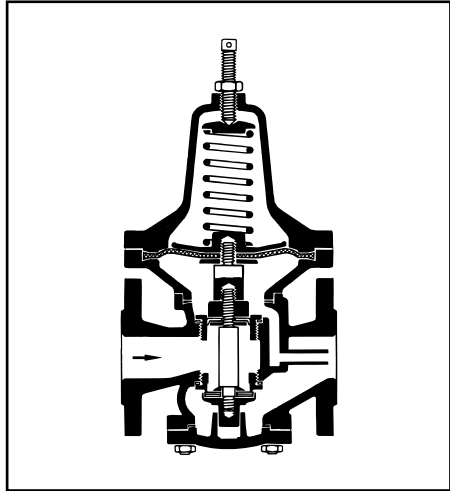
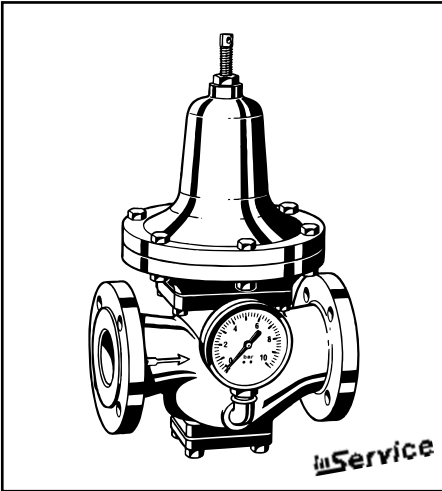
1960 and onwards



Description	Nominal size	Part number
① Diaphragm	DN 40	5707200
	DN 50	5707300
	DN 65	5707400
	DN 80	5707500
	DN 100	5707600
	DN 125	5707700
	DN 150	5707800
	DN 200	5707900
② Seal set	DN 40	0901352
	DN 50	0901353
	DN 65	0901354
	DN 80	0901355
	DN 100	0901356
	DN 125	0901357
	DN 150	0901358
	DN 200	0901359
③ Guide bush with seal ring	DN 40	0900254
	DN 50	0900255
	DN 65	0900256
	DN 80	0900257
	DN 100	0900258
	DN 125	0900259
	DN 150	0900260
	DN 200	0900261
④ Hexagonal blanking plug with seal ring (pack of 5)	DN 40 – 50	S 06 M -1/4
	DN 65 – 200	S 15 M -1/2
⑤ Seating bush with seal ring	DN 40	0900246
	DN 50	0900247
	DN 65	0900248
	DN 80	0900249
	DN 100	0900250
	DN 125	0900251
	DN 150	0900252
	DN 200	0900253

D 17 N pressure reducing valves

1960 and onwards

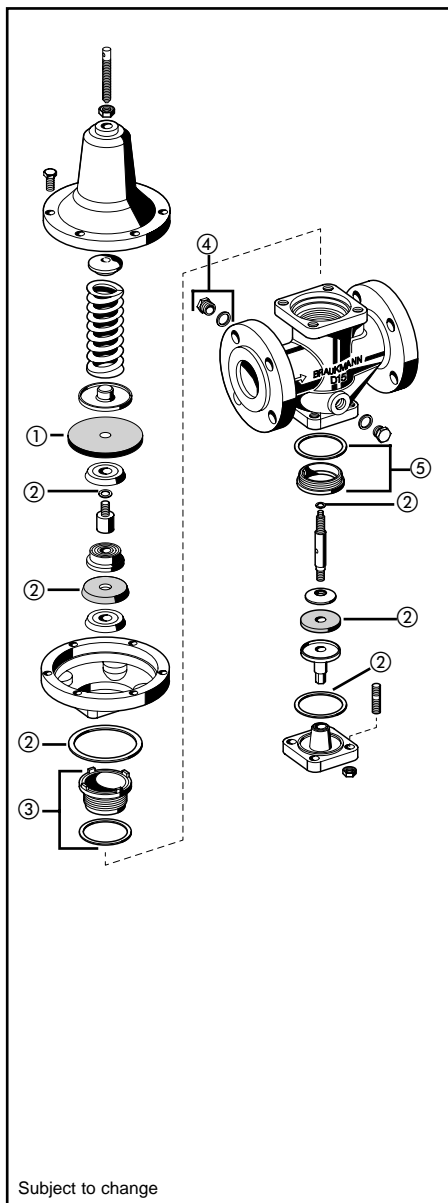


Accessories

- M 07** Pressure gauge (up to size DN 50)
Housing \varnothing 63 mm, rear connection G $\frac{1}{4}$ ".
Ranges:
0 – 4, 0 – 10, 0 – 16, 0 – 25 bar.
Please state pressure range when ordering.
- M 15** Pressure gauge (size DN 65 and upwards)
Housing \varnothing 100 mm, bottom connection G $\frac{1}{2}$ ".
Ranges:
0 – 4, 0 – 10, 0 – 16, 0 – 25 bar.
Please state pressure range when ordering
- W 15** Elbow
Galvanised malleable iron G $\frac{1}{2}$ ", for M 15 pressure gauge

D 17 N pressure reducing valves - Service parts

1960 and onwards

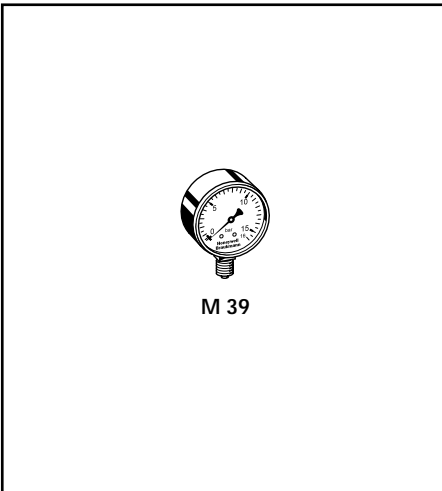
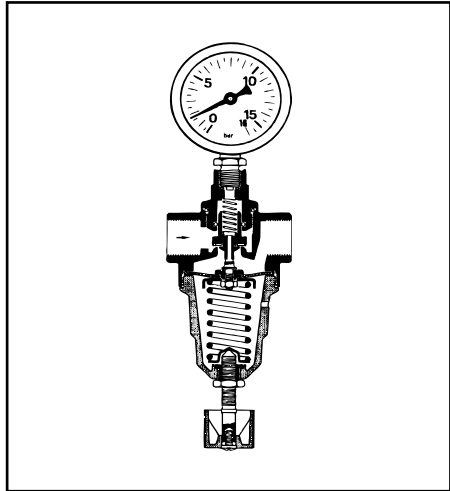
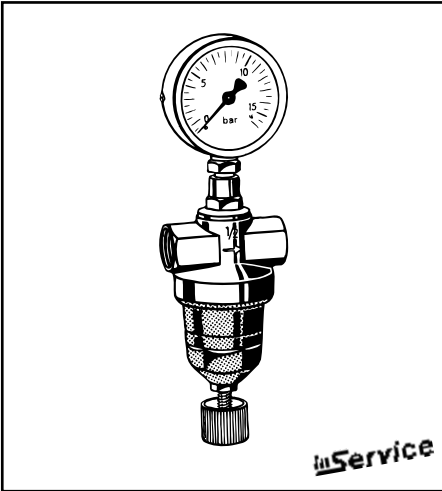


Subject to change

Description	Nominal size	Part number
① Diaphragm	DN 40	5708000
	DN 50	5708000
	DN 65	5708100
	DN 80	5708200
	DN 100	5708300
	DN 125	5708400
	DN 150	5708500
	DN 200	5708600
② Seal set	DN 40	0901352
	DN 50	0901353
	DN 65	0901354
	DN 80	0901355
	DN 100	0901356
	DN 125	0901357
	DN 150	0901358
	DN 200	0901359
③ Guide bush with seal ring	DN 40	0900254
	DN 50	0900255
	DN 65	0900256
	DN 80	0900257
	DN 100	0900258
	DN 125	0900259
	DN 150	0900260
④ Hexagonal blanking plug with seal ring (pack of 5)	DN 40 – 50	S 06 M - ¹ / ₄
	DN 65 – 200	S 15 M - ¹ / ₂
⑤ Seating bush with seal ring	DN 40	0900246
	DN 50	0900247
	DN 65	0900248
	DN 80	0900249
	DN 100	0900250
	DN 125	0900251
	DN 150	0900252
	DN 200	0900253

D 22 pressure reducing valves

1968 and onwards



M 39

Accessories

M 39-A Pressure gauge

Housing \varnothing 63 mm, bottom connection G $\frac{1}{4}$ ".

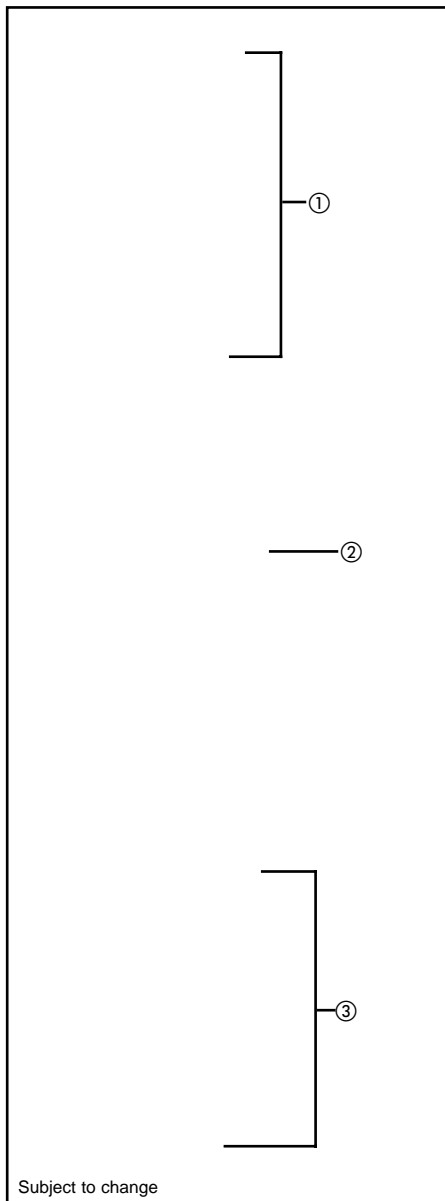
Ranges:

0 – 4, 0 – 10, 0 – 16, 0 – 40 bar.

Please state pressure range when ordering.

D 22 pressure reducing valves - Service parts

1968 and onwards

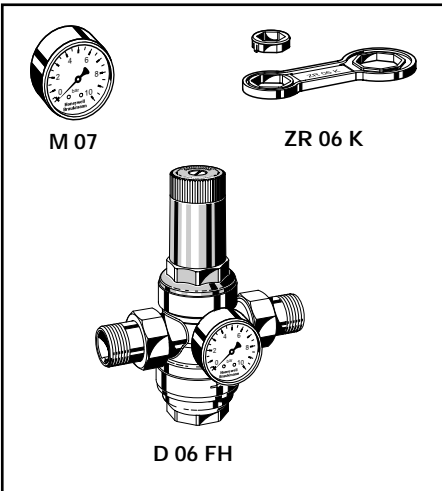
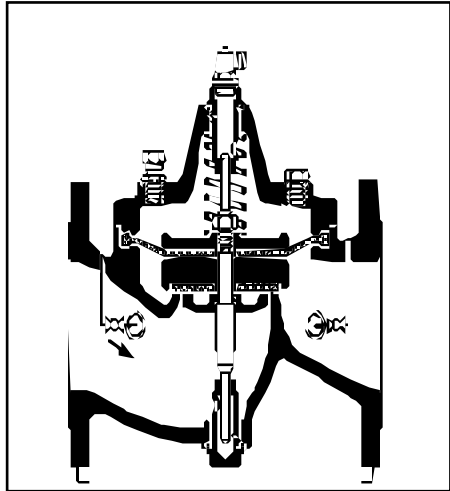
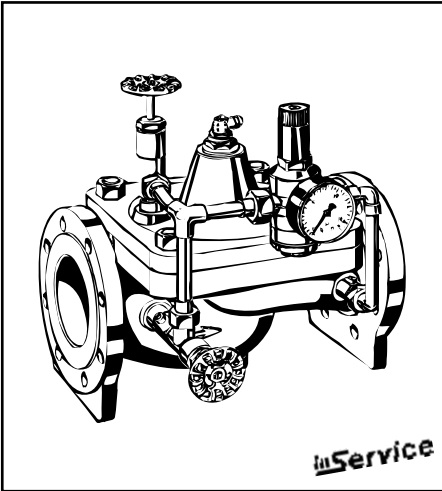


Subject to change

Description	Nominal size	Part number
① Valve cone complete	$\frac{1}{4}'' + \frac{3}{8}''$	0903223
	$\frac{1}{2}''$	0903224
	$\frac{3}{4}''$	0903225
	1"	0903226
	$1\frac{1}{4}''$	0903227
	$1\frac{1}{2}''$	0903228
	2"	0903229
② Diaphragm	$\frac{1}{4}'' + \frac{3}{8}''$	2202500
	$\frac{1}{2}'' + \frac{3}{4}''$	2202700
	1" + $1\frac{1}{4}''$	2203300
	$1\frac{1}{2}'' + 2''$	2204100
③ Spring bonnet complete	$\frac{1}{4}'' + \frac{3}{8}''$	0900272
	$\frac{1}{2}'' + \frac{3}{4}''$	0900273
	1" + $1\frac{1}{4}''$	0900274
	$1\frac{1}{2}'' + 2''$	0900275

D 205 pressure reducing valves

1994 and onwards

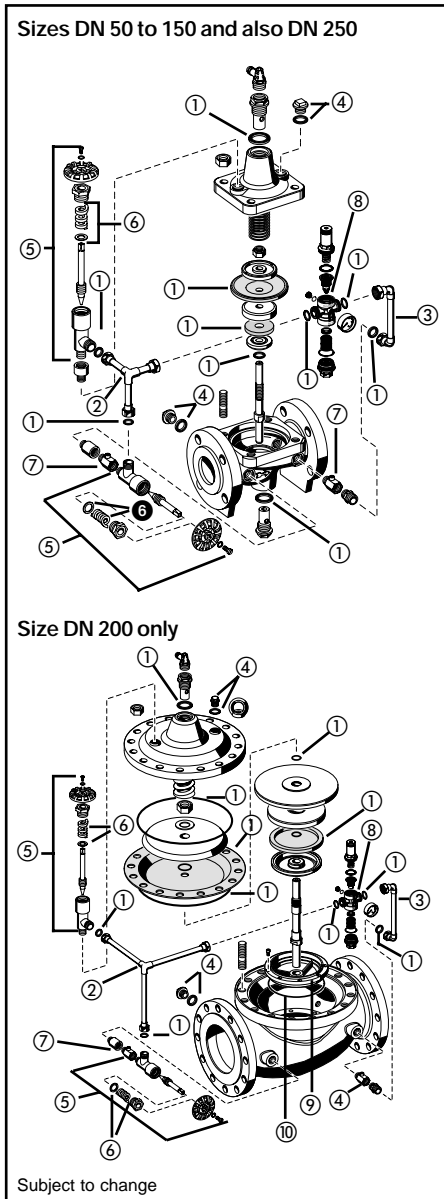


Accessories

- M 07** **Pressure gauge**
Housing \varnothing 63 mm,
rear connection G $\frac{1}{4}$ ".
Ranges:
0 – 4, 0 – 10, 0 – 16, 0 – 25 bar.
Please state pressure range when
ordering.
- ZR 06 K** **Double ring wrench**
For removing spring bonnet and
filter bowl of the pilot valve
- D 06 FH** **Pilot valve**
In R $\frac{1}{2}$ " size
with brass filter bowl
B = With threaded male
connections
F = Without connections

D 205 pressure reducing valves - Service parts

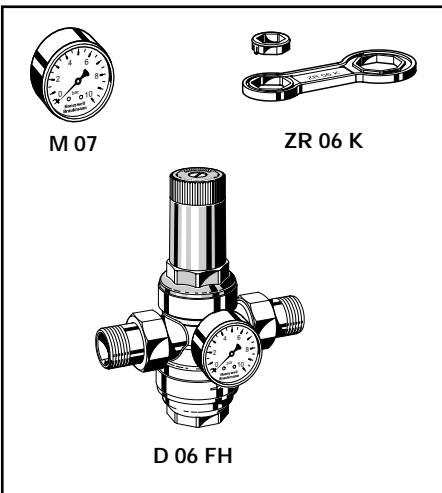
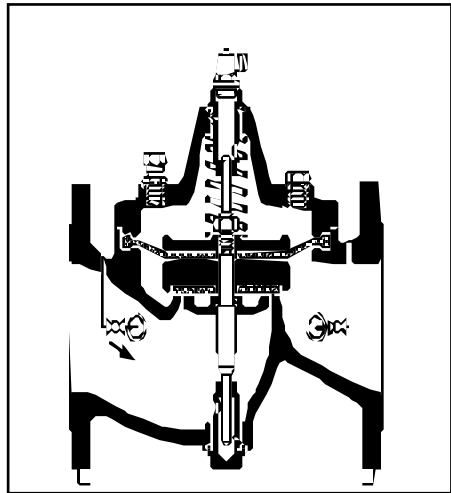
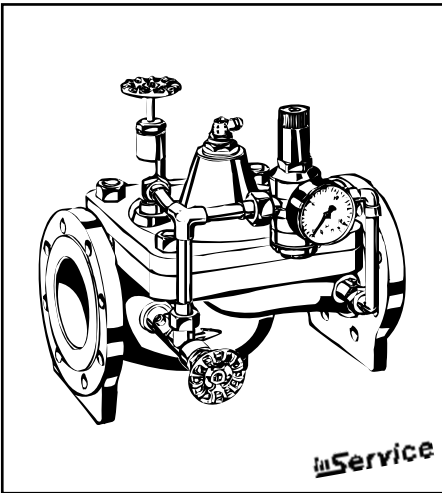
1994 and onwards



Description	Nominal size	Part number
① Seal set	DN 50	0901702
	DN 65	0901703
	DN 80	0901704
	DN 100	0901705
	DN 125	0901706
	DN 150	0901707
	DN 200	0901708
	DN 250	0901709
② Control pipe – inlet pressure	DN 50	5044000
	DN 65	5039500
	DN 80	5040100
	DN 100	5041200
	DN 125	5041600
	DN 150	5042100
	DN 200	5042600
	DN 250	5043100
③ Control pipe – outlet pressure	DN 50	5044100
	DN 65	5039600
	DN 80	5040300
	DN 100	5041300
	DN 125	5041700
	DN 150	5042200
	DN 200	5042700
	DN 250	5043200
④ Brass blanking plug R 1/2" with seal ring	DN 50	S 15 M - 1/2"
	- 250	
⑤ Angle valve complete	DN 50 - 250	2734900
⑥ Packing for angle valve	DN 50 - 250	2049400
⑦ Ball valve	DN 50 - 250	2209100
⑧ Pressure reducing valve (pilot valve)	DN 50	D 06 FH - 1/2 B
	- 250	
⑨ Seating bush	DN 80	5664500
	DN 100	5664600
	DN 200	2172600
⑩ O-ring for seating bush	DN 80	2407700
	DN 100	2854600
	DN 200	2173800

D 205 pressure reducing valves

From 1985 to 1994

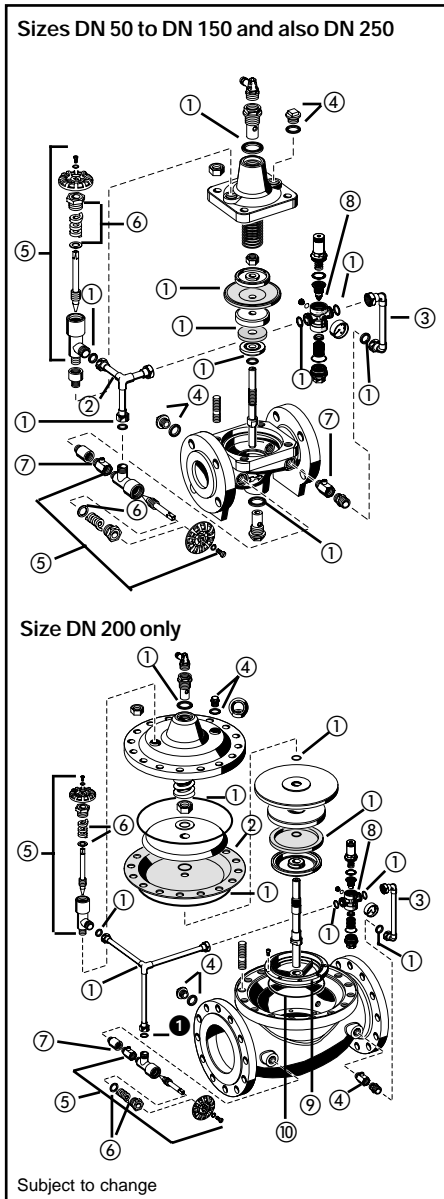


Accessories

- M 07** Pressure gauge
Housing \varnothing 63 mm,
rear connection G $\frac{1}{4}$ ".
Ranges:
0 – 4, 0 – 10, 0 – 16, 0 – 25 bar.
Please state pressure range when
ordering.
- ZR 06 K** Double ring wrench
For removing spring bonnet and
filter bowl of the pilot valve
- D 06 FH** Pilot valve
In R $\frac{1}{2}$ " size
with brass filter bowl
B = With threaded male
connections
F = Without connections

D 205 pressure reducing valves - Service parts

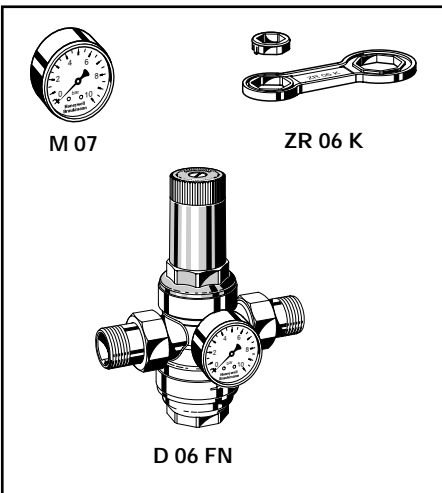
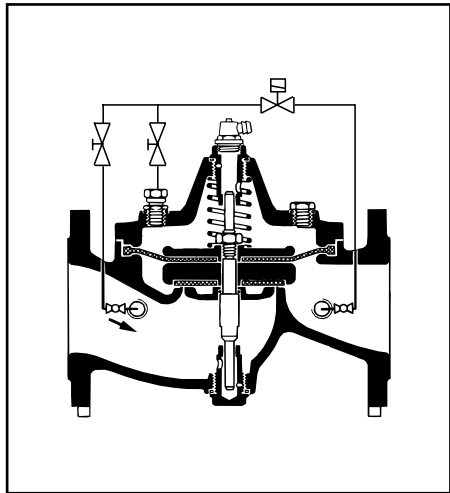
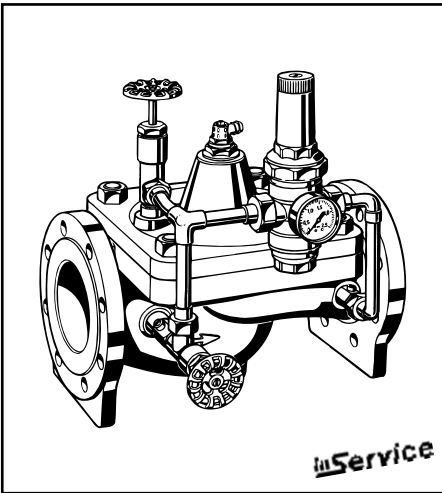
From 1985 to 1994



Description	Nominal size	Part number
① Seal set	DN 50	0901702
	DN 65	0901703
	DN 80	0901704
	DN 100	0901705
	DN 125	0901706
	DN 150	0901707
	DN 200	0901708
	DN 250	0901709
② Control pipe – inlet pressure	DN 50	5044000
	DN 65	5039500
	DN 80	5040100
	DN 100	5041200
	DN 125	5041600
	DN 150	5042100
	DN 200	5042600
DN 250	5043100	
③ Control pipe – outlet pressure	DN 50	5044100
	DN 65	5039600
	DN 80	5040300
	DN 100	5041300
	DN 125	5041700
	DN 150	5042200
	DN 200	5042700
DN 250	5043200	
④ Brass blanking plug R 1/2" with seal ring	DN 50	S 15 M - 1/2
	- 250	
⑤ Angle valve complete	DN 50	2734900
	- 250	
⑥ Packing for angle valve	DN 50	2049400
	- 250	
⑦ Ball valve	DN 50	2209100
	- 250	
⑧ Pressure reducing valve (pilot valve)	DN 50	D 06 FH - 1/2 B
	- 250	
⑨ Seating bush	DN 200	2172600
⑩ O-ring for seating bush	DN 80	2407700
	DN 100	2854600
	DN 200	2173800

D 205 N pressure reducing valves

1994 and onwards

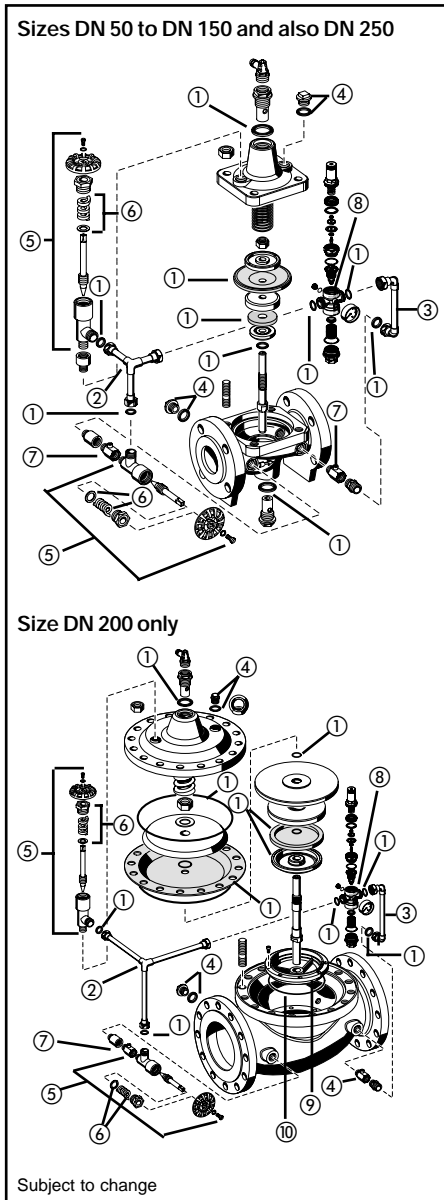


Accessories

- M 07** Pressure gauge
Housing Ø 63 mm,
rear connection G $\frac{1}{4}$ ".
Ranges:
0 – 4, 0 – 10, 0 – 16, 0 – 25 bar.
Please state pressure range when
ordering.
- ZR 06 K** Double ring wrench
For removing spring bonnet and
filter bowl of the pilot valve
- D 06 FH** Pilot valve
In R $\frac{1}{2}$ " size
with brass filter bowl
B = With threaded male
connections
F = Without connections

D 205 N pressure reducing valves - Service parts

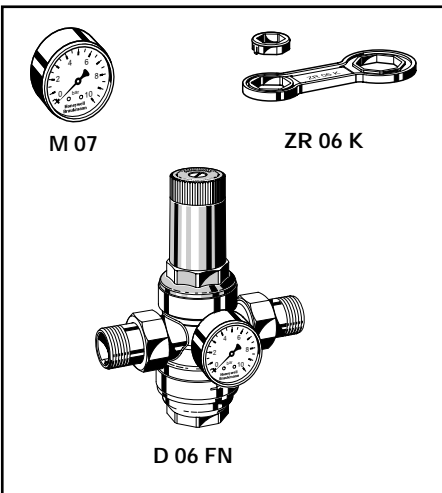
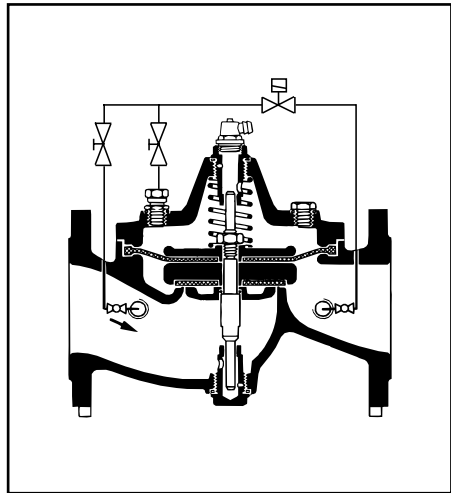
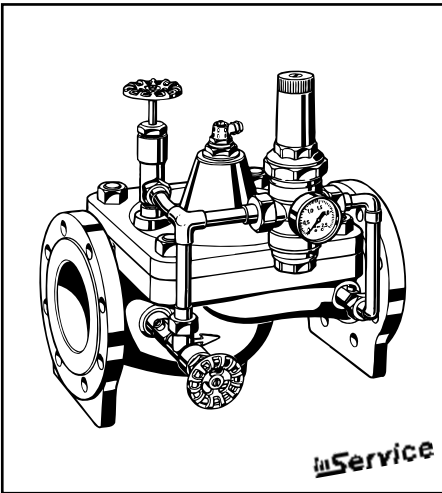
1994 and onwards



Description	Nominal size	Part number
① Seal set	DN 50	0901702
	DN 65	0901703
	DN 80	0901704
	DN 100	0901705
	DN 125	0901706
	DN 150	0901707
	DN 200	0901708
	DN 250	0901709
② Control pipe – inlet pressure	DN 50	5044000
	DN 65	5039500
	DN 80	5040100
	DN 100	5041200
	DN 125	5041600
	DN 150	5042100
	DN 200	5042600
	DN 250	5043100
③ Control pipe – outlet pressure	DN 50	5044100
	DN 65	5039600
	DN 80	5040300
	DN 100	5041300
	DN 125	5041700
	DN 150	5042200
	DN 200	5042700
	DN 250	5043200
④ Brass blanking plug R 1/2" with seal ring	DN 50	S 15 M - 1/2
	- 250	
⑤ Angle valve complete	DN 50 – 250	2734900
⑥ Packing for angle valve	DN 50 – 250	2049400
⑦ Ball valve	DN 50 – 250	2209100
⑧ Pressure reducing valve (pilot valve)	DN 50	D 06 FN - 1/2 B
	- 250	
⑨ Seating bush	DN 80	5664500
	DN 100	5664600
	DN 200	2172600
⑩ O-ring for seating bush	DN 80	2407700
	DN 100	2854600
	DN 200	2173800

D 205 N pressure reducing valves

From 1985 to 1994

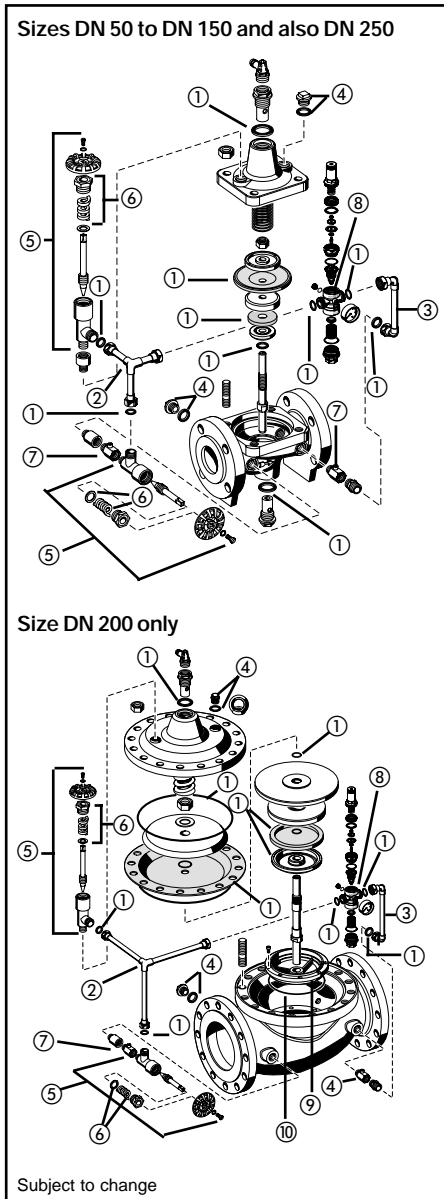


Accessories

- M 07** **Pressure gauge**
Housing \varnothing 63 mm,
rear connection G $\frac{1}{4}$ ".
Ranges:
0 – 4, 0 – 10, 0 – 16, 0 – 25 bar.
Please state pressure range when
ordering.
- ZR 06 K** **Double ring wrench**
For removing spring bonnet and
filter bowl of the pilot valve
- D 06 FH** **Pilot valve**
In R $\frac{1}{2}$ " size
with brass filter bowl
B = With threaded male
connections
F = Without connections

D 205 N pressure reducing valves - Service parts

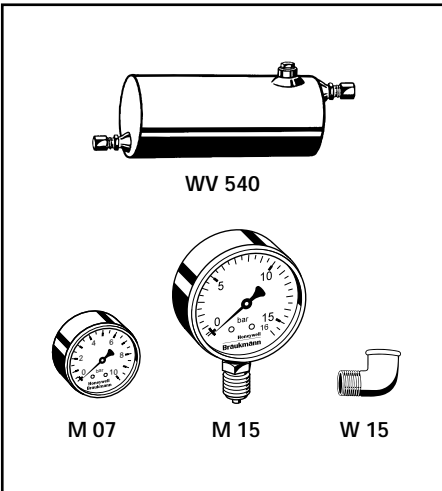
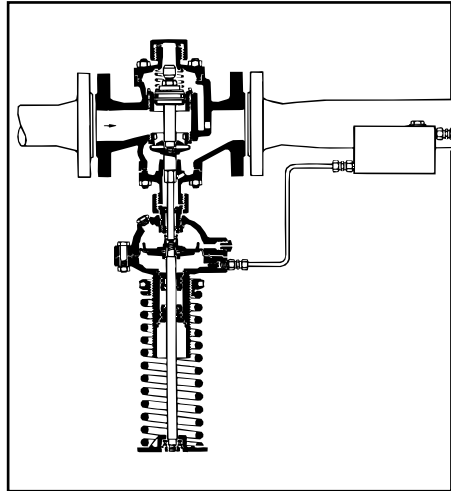
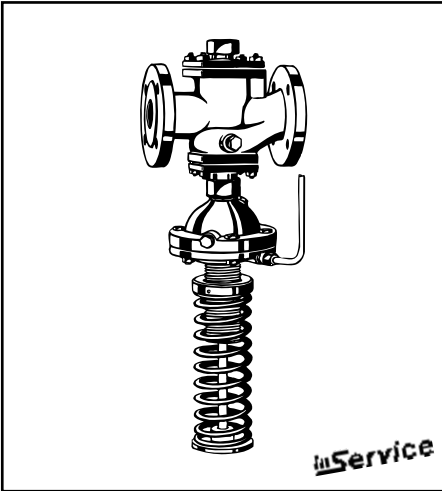
From 1985 to 1994



Description	Nominal size	Part number
① Seal set	DN 50	0901702
	DN 65	0901703
	DN 80	0901704
	DN 100	0901705
	DN 125	0901706
	DN 150	0901707
	DN 200	0901708
DN 250	0901709	
② Control pipe – inlet pressure	DN 50	5044000
	DN 65	5039500
	DN 80	5040100
	DN 100	5041200
	DN 125	5041600
	DN 150	5042100
	DN 200	5042600
DN 250	5043100	
③ Control pipe – outlet pressure	DN 50	5044100
	DN 65	5039600
	DN 80	5040300
	DN 100	5041300
	DN 125	5041700
	DN 150	5042200
	DN 200	5042700
DN 250	5043200	
④ Brass blanking plug R 1/2" with seal ring	DN 50	S 15 M - 1/2
	- 250	
⑤ Angle valve complete	DN 50	2734900
- 250		
⑥ Packing for angle valve	DN 50	2049400
	- 250	
⑦ Ball valve	DN 50	2209100
	- 250	
⑧ Pressure reducing valve (pilot valve)	DN 50	D 06 FN - 1/2 B
	- 250	
⑨ Seating bush	DN 200	2172600
⑩ O-ring for seating bush	DN 200	2173800

D 544 pressure regulators

1974 and onwards

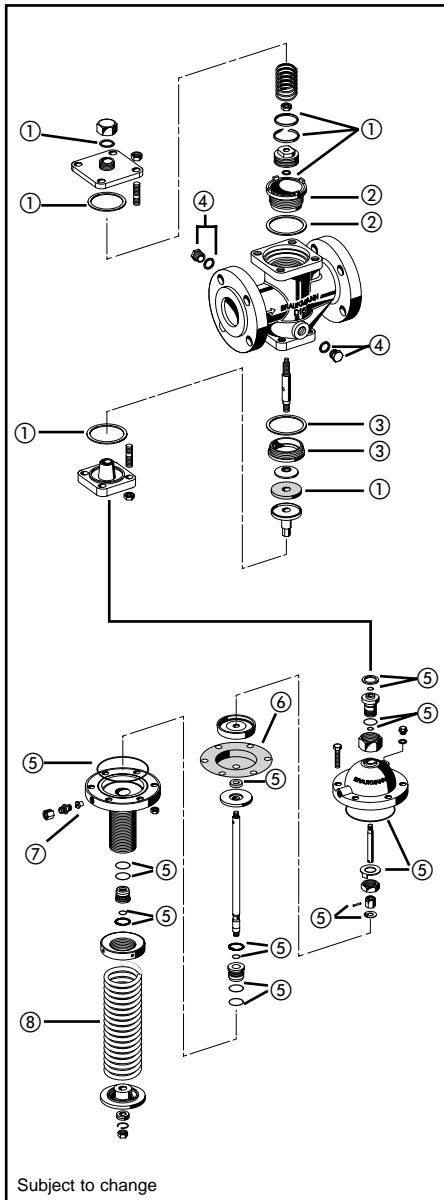


Accessories

- WV 540** Hydraulic seal
Steel housing. Coated inside and outside with synthetic material. Two Ermeto connectors R $\frac{1}{4}$ " x 10 mm.
- M 07** Pressure gauge (up to DN 50)
Housing \varnothing 63 mm, rear connection G $\frac{1}{4}$ ".
Ranges:
0 – 4, 0 – 10, 0 – 16, 0 – 25 bar.
Please state pressure range when ordering.
- M 15** Pressure gauge (from DN 65)
Housing \varnothing 100 mm, bottom connection G $\frac{1}{2}$ ".
Ranges:
0 – 4, 0 – 10, 0 – 16, 0 – 25 bar.
Please state pressure range when ordering.
- W 15** Elbow
Galvanised malleable iron, G $\frac{1}{2}$ ", for M15 pressure gauge.

D 544 pressure regulators - Service parts

1974 and onwards

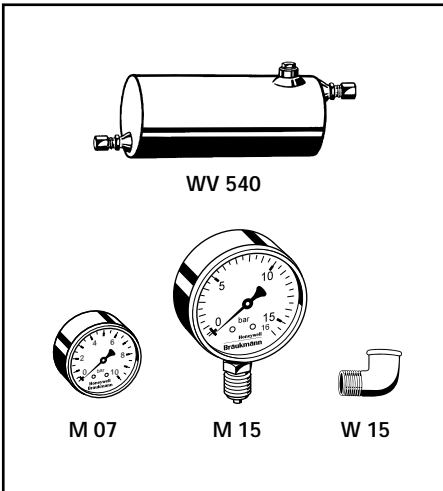
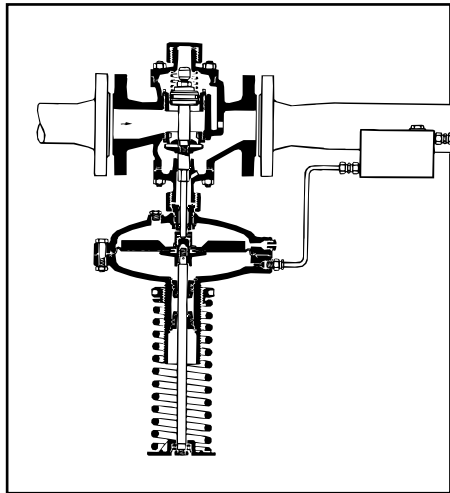
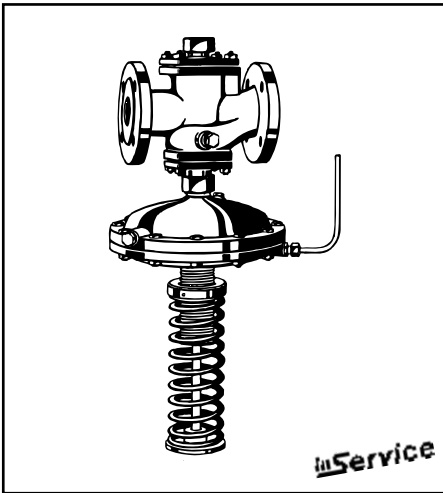


Subject to change

Description	Nominal size	Part number
① Valve repair set V16 complete	DN 15 + 20	0901710
	DN 25 + 32	0901711
	DN 40	0901712
	DN 50	0901713
	DN 65	0901714
	DN 80	0901715
	DN 100	0901716
	DN 125	0901717
② Guide bush	DN 15 – 32	–
	DN 40	5981600
	DN 50	5981700
	DN 65	5981800
	DN 80	5981900
	DN 100	5982000
	DN 125	5982100
③ Seating bush	DN 15 – 32	–
	DN 40	2335400
	DN 50	2335500
	DN 65	2195600
	DN 80	2195700
	DN 100	2195800
	DN 125	2849000
④ Brass plug set	DN 15 – 50	S 06 M - ¹ / ₄
	DN 65 – 150	S 15 M - ¹ / ₂
⑤ Regulator repair set complete, R1/R2		0901701
⑥ Diaphragm R 1		2635900
⑦ Nozzle complete		0900636
⑧ Yellow spring Green spring Red spring		2605200
		2605300
		2605400

D 544 N pressure regulators

1974 and onwards

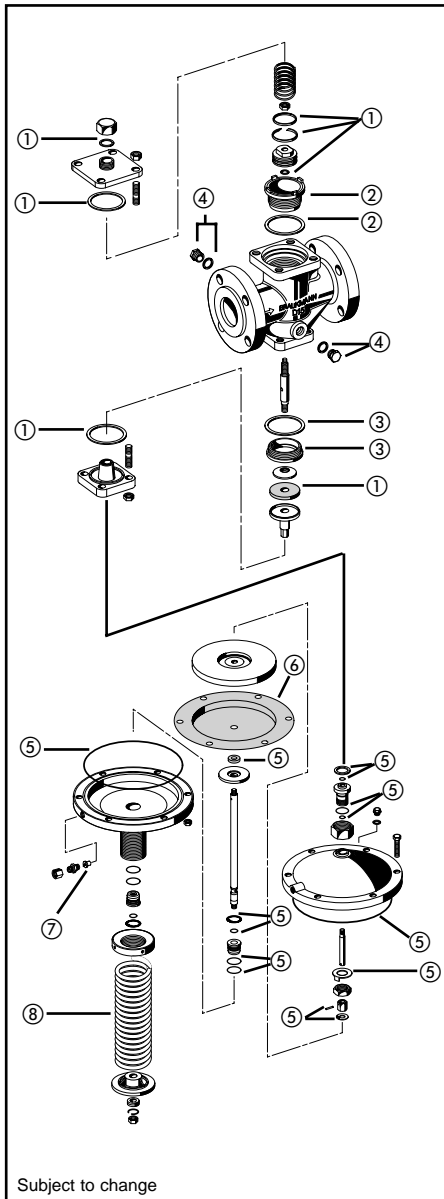


Accessories

- WV 540** **Hydraulic seal**
 Steel housing. Coated inside and outside with synthetic material. Two Ermeto connectors R 1/4" x 10 mm.
- M 07** **Pressure gauge (up to DN 50)**
 Housing Ø 63 mm, Back connection G 1/4".
 Ranges:
 0 – 4, 0 – 10, 0 – 16, 0 – 25 bar.
 Please state pressure range when ordering.
- M 15** **Pressure gauge (from DN 65)**
 Housing Ø 100 mm, bottom connection G 1/2".
 Ranges:
 0 – 4, 0 – 10, 0 – 16, 0 – 25 bar.
 Please state pressure range when ordering.
- W 15** **Elbow**
 Galvanised malleable iron, G 1/2", for M15 pressure gauge.

D 544 N pressure regulators - Service parts

1974 and onwards

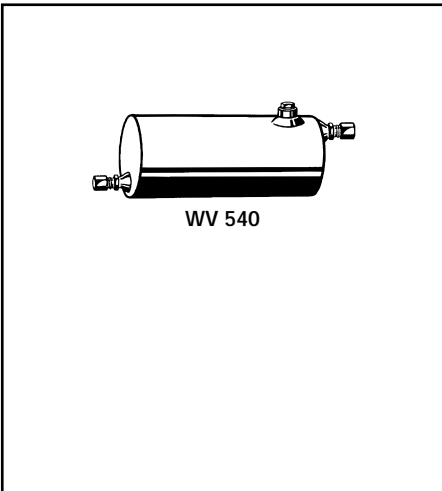
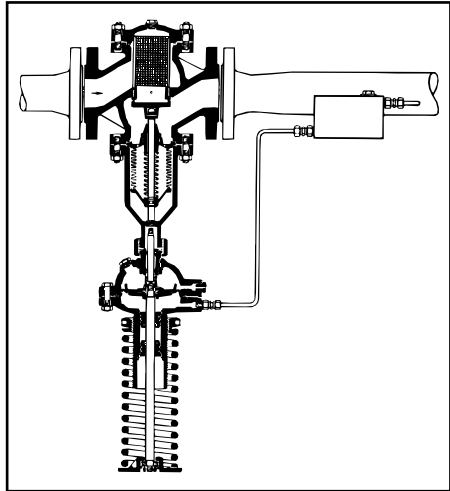
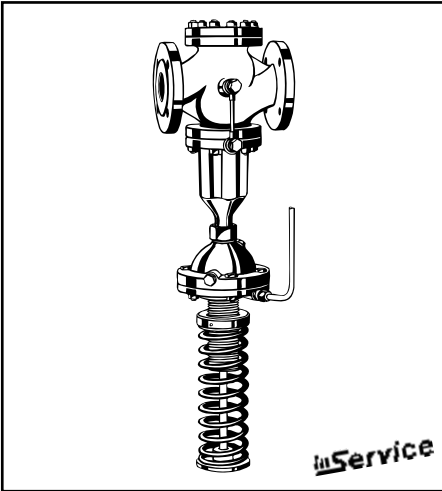


Subject to change

Description	Nominal size	Part number
① Valve repair set V16 complete	DN 15 + 20	0901710
	DN 25 + 32	0901711
	DN 40	0901712
	DN 50	0901713
	DN 65	0901714
	DN 80	0901715
	DN 100	0901716
	DN 125	0901717
② Guide bush	DN 15 – 32	–
	DN 40	5477300
	DN 50	5477600
	DN 65	5477900
	DN 80	5478400
	DN 100	5478900
	DN 125	5479400
③ Seating bush	DN 15 – 32	–
	DN 40	2335400
	DN 50	2335500
	DN 65	2195600
	DN 80	2195700
	DN 100	2195800
	DN 125	2849000
④ Brass plug set	DN 15 – 50	S 06 M - ¹ / ₄
	DN 65 – 150	S 15 M - ¹ / ₂
⑤ Regulator repair set complete, R1/R2		0901701
⑥ Diaphragm R 2		2636400
⑦ Nozzle complete		0900636
⑧ Yellow spring Green spring Red spring		2605200
		2605300
		2605400

D 554 pressure regulators

1972 and onwards

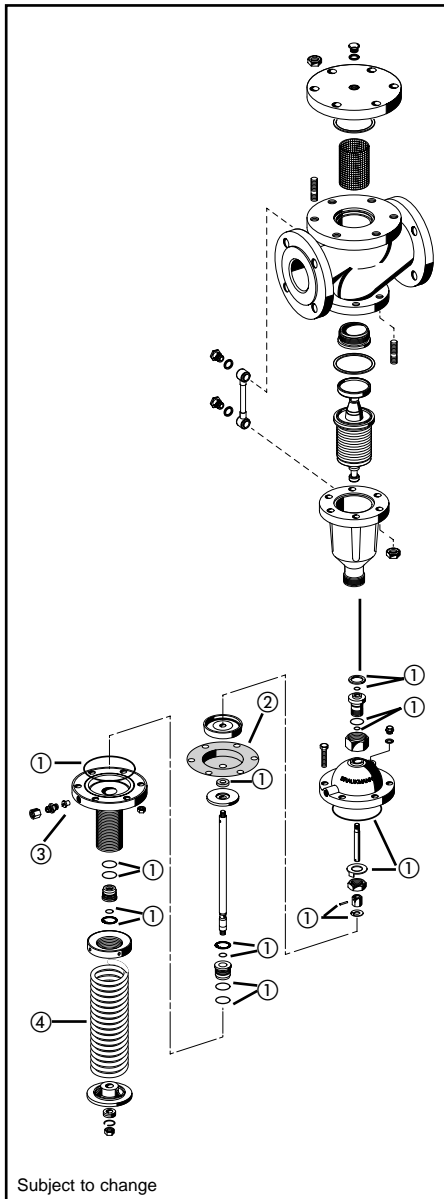


Accessories

- WV 540** Hydraulic seal
Steel housing. Coated inside and outside with synthetic material. Two Ermeto connectors R $\frac{1}{4}$ " x 10 mm.

D 554 pressure regulators - Service parts

1972 and onwards



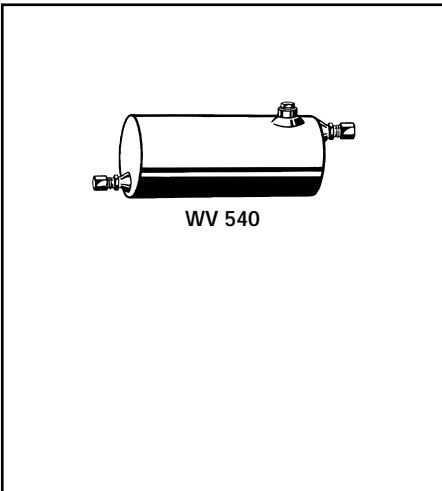
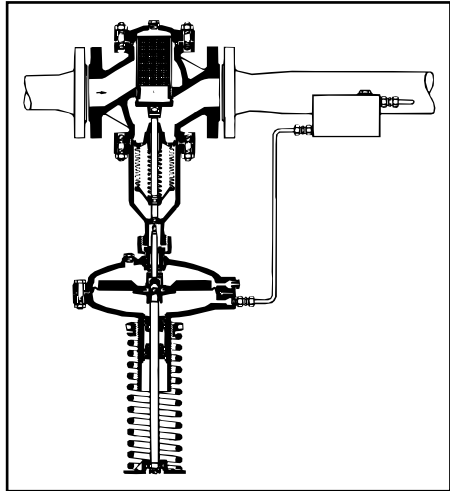
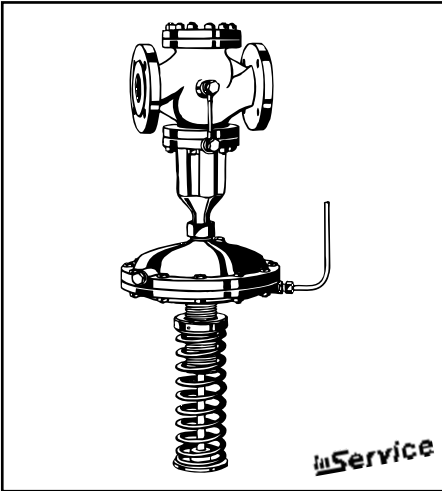
Subject to change

Description	Nominal size	Part number
① Regulator repair set complete R1/R2		0901701
② Diaphragm		2635900
③ Nozzle complete		0900636
④ Yellow spring		2605200
Green spring		2605300
Red spring		2605400

A factory maintenance service is recommended for the V 5 actuator.

D 554 N pressure regulators

1972 and onwards

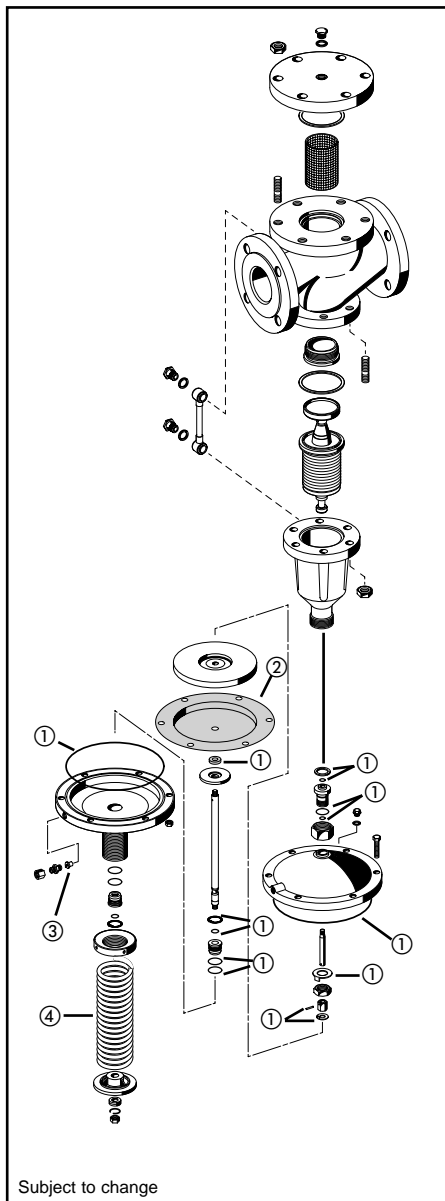


Accessories

- WV 540** Hydraulic seal
Steel housing. Coated inside and outside with synthetic material. Two Ermeto connectors R $\frac{1}{4}$ " x 10 mm.

D 554 N pressure regulators - Service parts

1972 and onwards



Subject to change

Description	Nominal size	Part number
① Regulator repair set complete R1/R2		0901701
② Diaphragm		2329800
③ Nozzle complete		0900636
④ Yellow spring		2605200
Green spring		2605300
Red spring		2605400

A factory maintenance service is recommended for the V 5 actuator.

Pressure reducing valves - What to do if...

Problem	Cause	Solution
Hammering noises	<ul style="list-style-type: none">– Integral check valve in water metering system is hammering– Loose and therefore vibrating valve disc in shutoff devices– Air pocket in redundant or little used sections of circuit– Rapidly closing flushing valve– Solenoid valves on dishwashing or washing machines– Pressure reducing valve oversized– Anti-vacuum or venting valve not working	<ul style="list-style-type: none">– Remove or carry out service on check valve after consulting water supplier– Check shutoff devices and carry out maintenance service if necessary– Vent– Check flushing valve and replace if necessary– Fit shock arrestor (e.g. Flamco) in the supply to the appliance– Call Honeywell customer service– Carry out maintenance service
Water comes out of the spring bonnet	<ul style="list-style-type: none">– Faulty diaphragm in valve insert	<ul style="list-style-type: none">– Disassemble pressure reducing valve and replace valve insert

Pressure reducing valves - What to do if...

Problem	Cause	Solution
No, or too little water pressure	<ul style="list-style-type: none"> – Shutoff valve before and/or after valve not fully open – Filter in water metering system dirty – Valve cone in flow regulating valve blocked – Pressure reducing valve not set to the correct value – Dirty filter in pressure reducing – Pressure reducing valve fitted wrong way round 	<ul style="list-style-type: none"> – Fully open shutoff valves – Clean filter – Carry out service on flow regulating valve – Set valve using ribbed adjuster knob – Undo filter bowl and replace filter – Fit pressure reducing valve in correct flow direction
Set outlet pressure does not remain constant – Unwanted pressure rise	<ul style="list-style-type: none"> – Water expanding from water heater (also see „unwanted pressure rise“ in miscellaneous section) – D 06 FA pressure reducing valve insert dirty or worn – Pressure rise via a crossover because of a downstream pump booster or other cause of pressure increase 	<ul style="list-style-type: none"> – Close shutoff valve to water heater. Open hot water outlet. Does the pressure now remain constant? → Cause is expansion water from water heater. Does pressure still rise? → Pressure reducing valve is faulty – Test check valve upstream of water heater and if appropriate also single lever mixer tap – Replace and lubricate D 06 FA pressure reducing valve insert with fluted ring – Check system

