

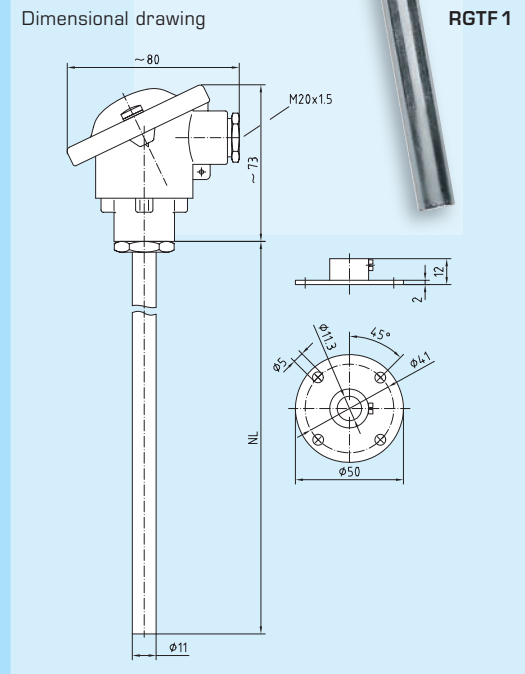
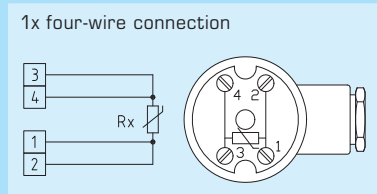
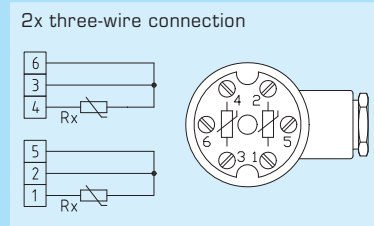
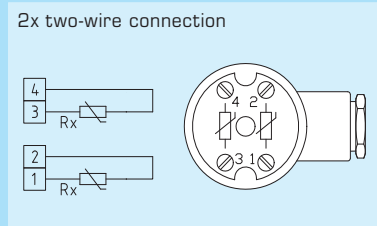
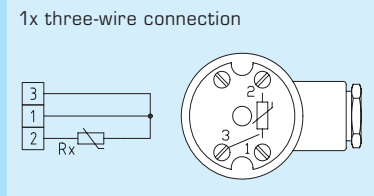
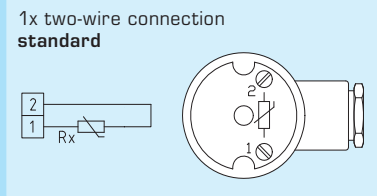
Duct temperature sensors / flue gas temperature sensors, including mounting flange, with passive output

Resistance thermometer / flue gas temperature sensor THERMASGARD® RGTF 1 with passive output, exchangeable measuring insert, straight protective tube, connecting head made of aluminium and mounting flange for the detection of relatively high temperatures in gaseous media, e.g. for exhaust air or flue gas temperature measurement.

TECHNICAL DATA:

- Measuring range: -35...+600 °C
(extended range limits from -100 °C...+750 °C optional)
- Sensor / output: see table, passive, glass sensing resistor
- Accuracy class: class B, DIN EN 60751
- Connection type: 2-wire connection
(3- or 4-wire connection optional)
- Testing current: ca. 1mA
- Protective tube: stainless steel, 1.4571, V4A, Ø=11 mm
- Nominal length: NL see table
- Connecting head: form B, material aluminium, colour white aluminium (similar RAL9006), ambient temperature -20 / +100 °C, M 20 x 1.5
- Process connection: by mounting flange, stainless steel (included in the scope of delivery)
- Electrical connection: 0.14 - 2.5 mm² via terminal screws on ceramic base
- Insulating resistance: ≥ 100 MΩ, at 20 °C (500V DC)
- Humidity: < 95% r.H.
- Protection class: III (according to EN 60730)
- Protection type: IP 54 (according to EN 60529)
IP 65 (optional)

RGTF 1



RGTF 1

THERMASGARD® RGTF1, including mounting flange

Type / WG1	Sensor / Output	200 mm	250 mm	300 mm	500 mm
RGTF 1 Pt100	Pt100	•	•	•	•
RGTF 1 Pt1000	Pt1000	•	•	•	•

Please specify in your order: Type and nominal length e.g. RGTF1 Pt100, 250 mm; RGTF1 Pt100, 1000 mm

For special orders please specify: Type, sensor, measuring range, connection type, nominal length