

Rod thermostat for use as boiler controller KR 80

Capillary system – TÜV tested

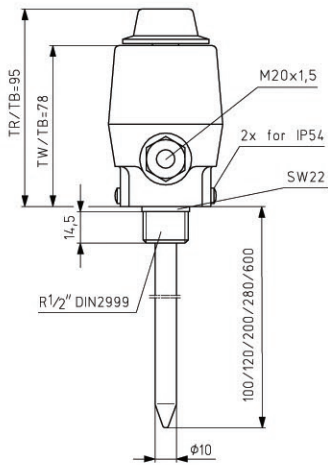
KR 80.108-1



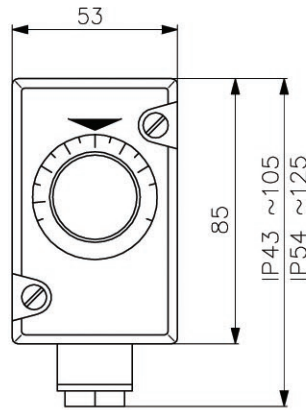
KR 80.207



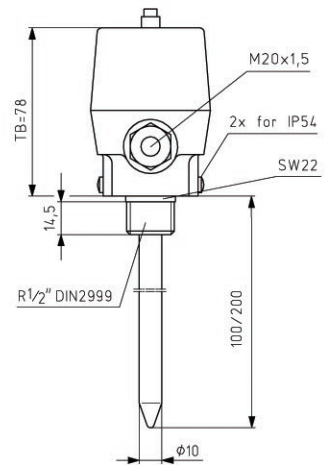
KR 80....



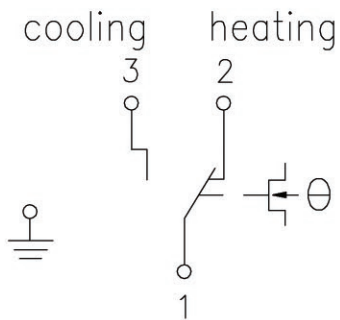
KR 80....



KR 80.2..



KR 80.... (TR/TW)



KR 80.2.. (TB)

