

Damper actuator for operating air control dampers in ventilation and air-conditioning systems for building services installations

- For air dampers up to approx. 0.4 m²
- Torque 2 Nm
- Nominal voltage AC 100 ... 240 V
- Control: Open-close or 3-point
- Degree of protection IP66


Type overview

| Type | Direction of rotation |
|----------|-------------------------|
| CM230G-L | counter-clockwise (ccw) |
| CM230G-R | clockwise (cw) |

Technical data

| | | |
|--|------------------------------|---|
| Electrical data | Nominal voltage | AC 100 ... 240 V, 50/60 Hz |
| | Nominal voltage range | AC 85 ... 265 V |
| | Power consumption | In operation 1.5 W @ nominal torque At rest 1 W For wire sizing 3 VA |
| | Connection | Cable 1 m, 3 x 0.75 mm ² |
| Functional data | Torque (nominal torque) | Min. 2 Nm @ nominal voltage |
| | Direction of rotation | See «Type overview» |
| | Manual override | Gear disengagement with magnet |
| | Angle of rotation | Without limit Endless With limit Fixed 315°↔ or 0 ... 287.5°↔ with mechanical end stops, can be adjusted in 2.5°↔ increments |
| | Running time | 75 s / 90°↔ |
| | Sound power level | Max. 35 dB (A) |
| | Position indicator | Mechanical, pluggable (with integrated magnet for gear disengagement) |
| Safety | Protection class | II totally insulated <input type="checkbox"/> |
| | Degree of protection | IP66 NEMA2, UL Enclosure Type 2 |
| Notes • To guarantee IP66 protection, the device must be mounted on the rear of the damper housing without a gap. • If the device is mounted on the front of the damper housing (i.e. turned 180°↔), it only has IP54 protection. | EMC | CE according to 2004/108/EC |
| | Low voltage directive | CE according to 2006/95/EC |
| | Certification | cULus according to UL 60730-1A and UL 60730-2-14 and CAN/CSA E60730-1:02 Certified to IEC/EN 60730-1 and IEC/EN 60730-2-14 |
| | Mode of operation | Type 1 (EN 60730-1) |
| | Rated impulse voltage | 2.5 kV (EN 60730-1) |
| | Control pollution degree | 3 (EN 60730-1) |
| | Ambient temperature | -30 ... +50 °C |
| | Non-operating temperature | -40 ... +80 °C |
| | Ambient humidity | 95% r.H., non-condensating (EN 60730-1) |
| | Maintenance | Maintenance-free |
| Dimensions / Weight | Dimensions | See «Dimensions» on page 2 |
| | Weight | Approx. 220 g |

Safety notes


- The actuator is not allowed to be used outside the specified field of application, especially in aircraft or any other form of air transport.
- **Caution: Power supply voltage !**
- **Assembly must be carried out by trained personnel. Any legal regulations or regulations issued by authorities must be observed during assembly.**
- The device may only be opened at the manufacturer's site. It does not contain any parts that can be replaced or repaired by the user.

Safety notes

(Continue)

- When calculating the required torque, the specifications supplied by the damper manufacturers (cross section, design, installation site), and the air flow conditions must be observed.
- The device contains electrical and electronic components and is not allowed to be disposed of as household refuse. All locally valid regulations and requirements must be observed.

Product features


- Simple direct mounting** Simple direct mounting on the damper spindle with a universal spindle clamp (\varnothing 6 ... 12.7 mm). The actuator is then secured with the anti-rotation strap supplied, to prevent it from rotating.
- Manual override** Manual override with magnet possible (the gear is disengaged as long as the magnet adheres to the symbol ⊕). The magnet for gear disengagement is integrated in the position indicator.
- Adjustable angle of rotation** Adjustable angle of rotation with mechanical end stops.
- High functional reliability** The actuator is overload-proof, requires no limit switches and automatically stops when the end stop is reached.

Electrical installation

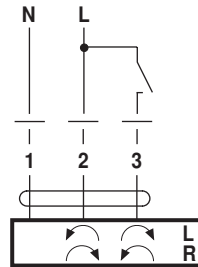
Wiring diagrams

Notes

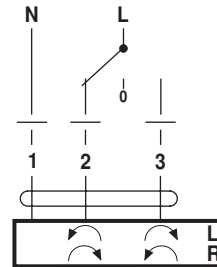
- Caution: Power supply voltage !
- Other actuators can be connected in parallel. Please note the performance data.



Open-close control

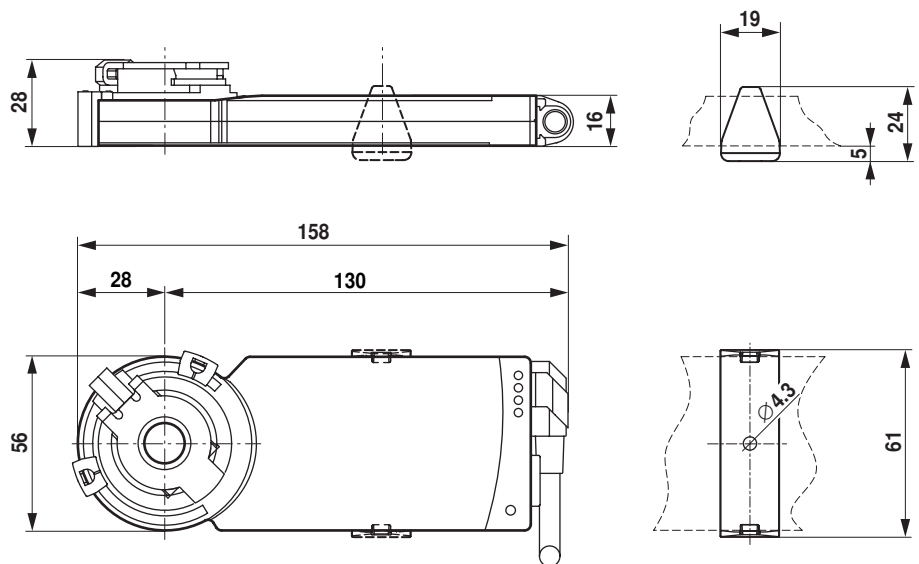



3-point control

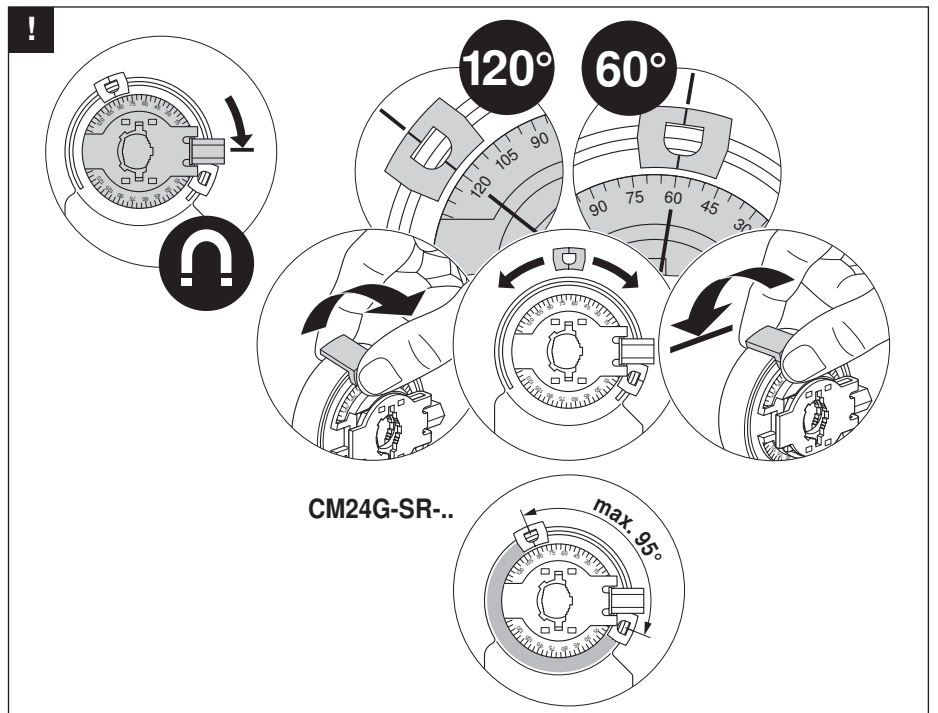
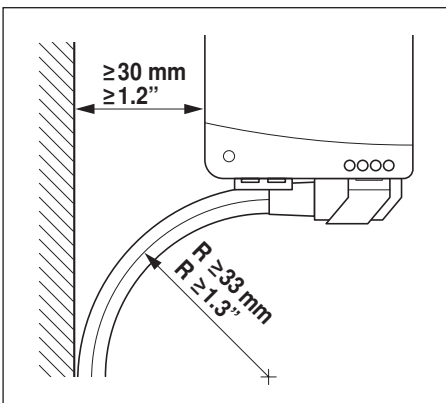
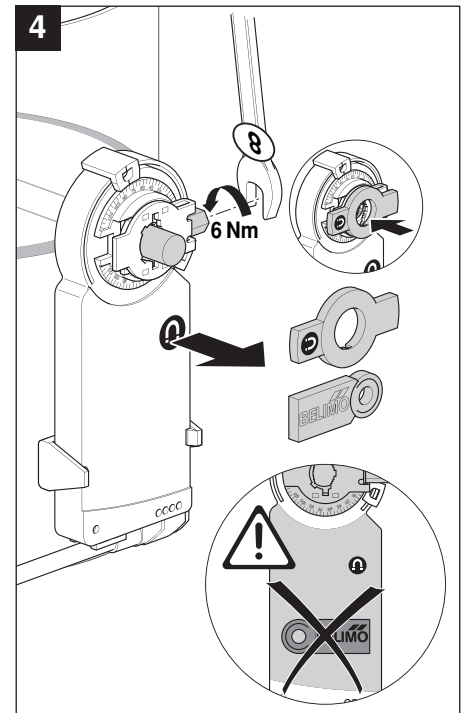
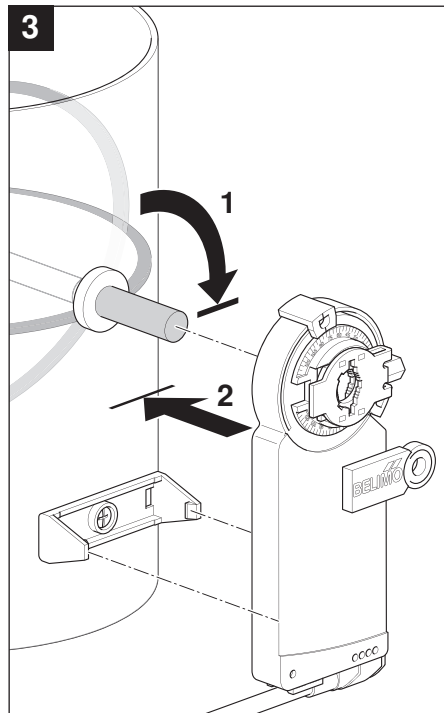
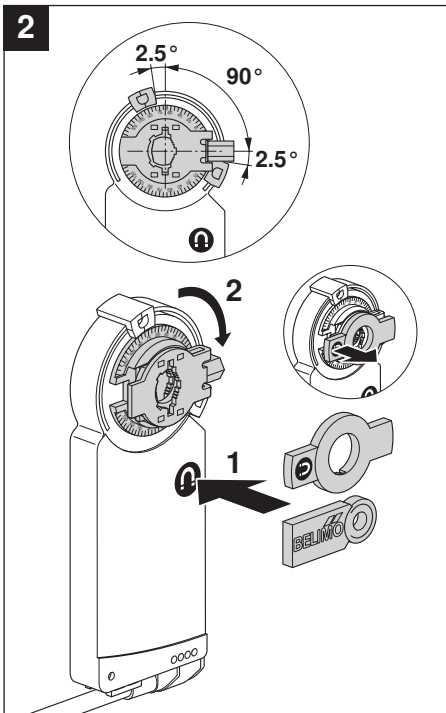
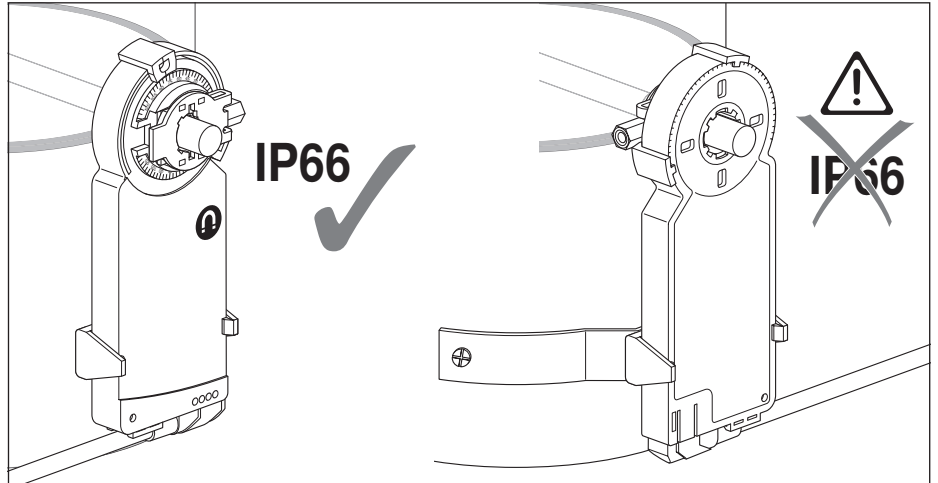
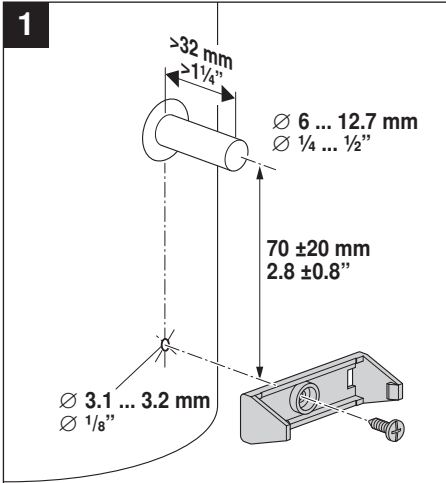


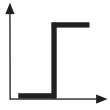
Dimensions [mm]

Dimensional drawings

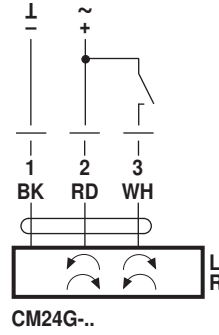
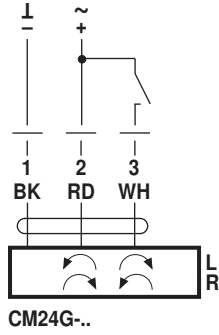


| Damper spindle | Length |  |
|----------------|--------|---|
| | ≥32 | 6 ... 12.7 |

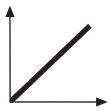
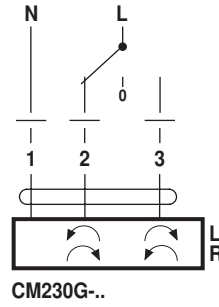
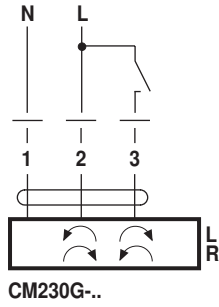




AC 24 V / DC 24 V



AC 100 ... 240 V



AC 24 V / DC 24 V

