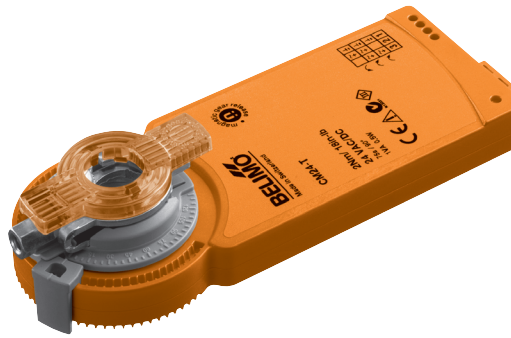


Damper actuator for adjusting air dampers in ventilation and air-conditioning systems in buildings

- For air damper up to approx. 0.4 m<sup>2</sup>
- Torque 2 Nm
- Nominal voltage AC 100 ... 240V
- Control: Open-close or 3-point
- With connecting terminals



## Type overview

Type	Direction of rotation
CM230-T-L	counter-clockwise (ccw)
CM230-T-R	clockwise (cw)

## Technical data

<b>Electrical data</b>	Nominal voltage	AC 100 ... 240V, 50/60 Hz
	Nominal voltage range	AC 85 ... 265 V
	Power consumption	In operation 1.5 W @ nominal torque At rest 1 W For wire sizing 3 VA
	Connection	Terminals for 3 x 1.5 mm <sup>2</sup> CU wire or 3 x 1.0 mm <sup>2</sup> CU strands
<b>Functional data</b>	Torque (nominal torque)	Min. 2 Nm @ nominal voltage
	Direction of rotation	See «Type overview»
	Manual override	Gear disengagement with magnet
	Angle of rotation	without limit endless with limit 315°↔ fixed or 0 ... 287.5°↔ with mechanical end stops, adjustable in 2.5°↔ increments
	Running time	75 s / 90°↔
	Sound power level	Max. 35 dB (A)
	Position indication	Mechanical, pluggable (with integrated magnet for gear disengagement)
<b>Safety</b>	Protection class	Ensuring protection against contact of live parts must be taken into account at the time of installation
	EMC	CE according to 2004/108/EC
	Low voltage directive	CE according to 2006/95/EC
	Certification	Certified to IEC/EN 60730-1 and IEC/EN 60730-2-14
	Mode of operation	Type 1
	Rated current voltage	2.5 kV
	Control pollution degree	2
	Ambient temperature	-30 ... +50 °C
	Non-operating temperature	-40 ... +80 °C
	Ambient humidity	95% r.h., non-condensating
Maintenance	Maintenance-free	
<b>Dimensions / Weight</b>	Dimensions	See «Dimensions» on page 2
	Weight	Approx. 220 g

## Safety notes



- The actuator is not allowed to be used outside the specified field of application, especially in aircraft or in any other airborne means of transport.
- Caution: Power supply voltage !
- The actuator, in particular the contacting area, must be protected against interventions from outside, in particular against inadvertent contact with live components, in order to exclude the possibility of short circuits and the danger of electrical shock.
- Assembly must be carried out by trained personnel. Any legal regulations or regulations issued by authorities must be observed during assembly.

Safety notes

(continued)

- The device may only be opened at the manufacturer's site. It does not contain any parts that can be replaced or repaired by the user.
- When calculating the required torque, the specifications supplied by the damper manufacturers (cross section, design, installation site), and the air flow conditions must be observed.
- The device contains electrical and electronic components and is not allowed to be disposed of as household refuse. All locally valid regulations and requirements must be observed.

Product features

- Simple direct mounting** Simple direct mounting on the damper spindle with a universal spindle clamp ( $\varnothing$  6 ... 12.7 mm). The actuator is then secured with the anti-rotation strap supplied, to prevent it from rotating.
- Manual override** Manual override with magnet possible (the gear is disengaged as long as the magnet adheres to the symbol  $\text{\textcircled{M}}$ ). The magnet for gear disengagement is integrated in the position indicator.
- Adjustable angle of rotation** Adjustable angle of rotation with mechanical end stops.
- High functional reliability** The actuator is overload-proof, requires no limit switches and automatically stops when the end stop is reached.

Electrical installation

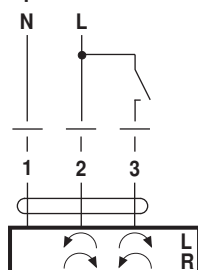
Wiring diagrams

Information

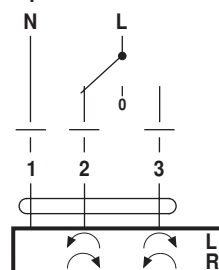
- Caution: Power supply voltage !
- Other actuators can be connected in parallel. Please note the performance data.



Open-close control

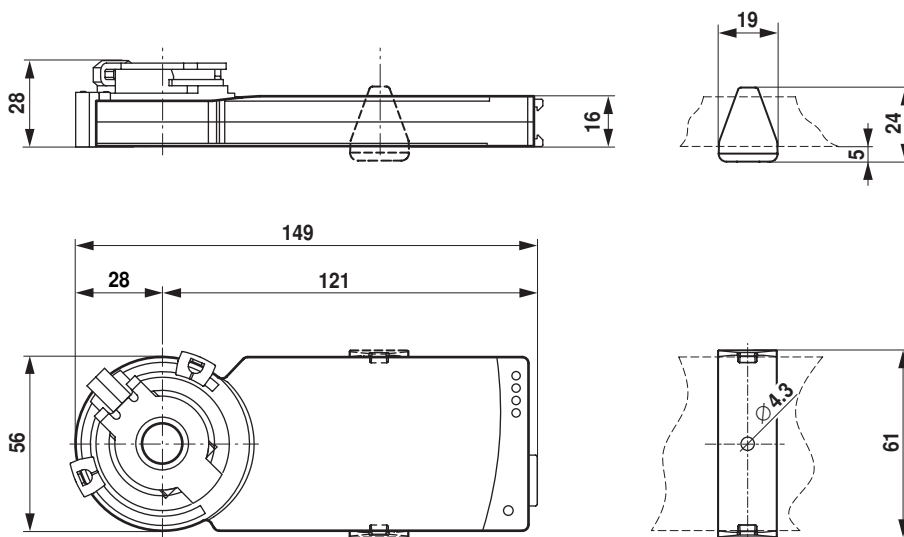


3-point control



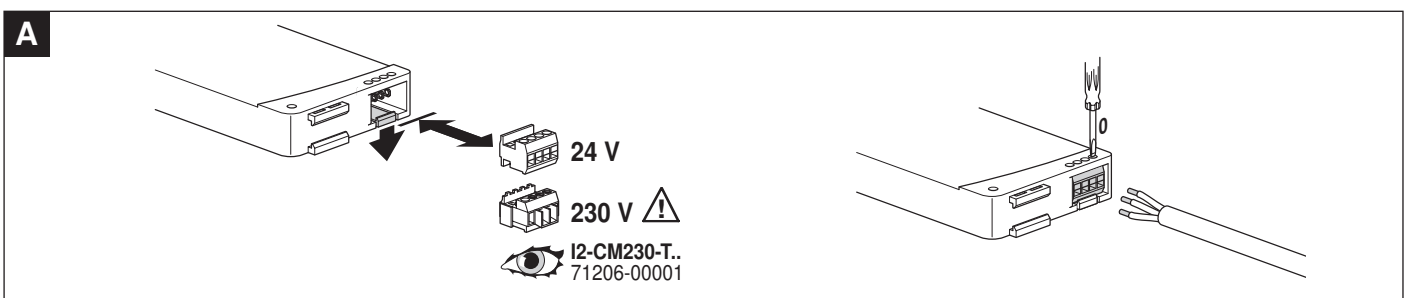
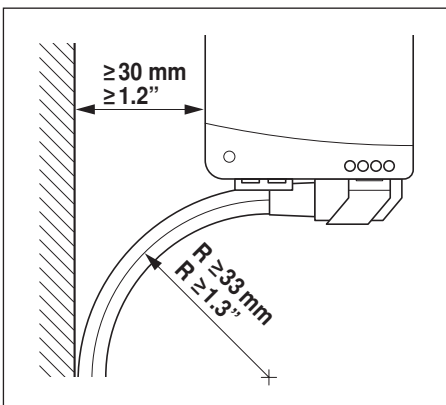
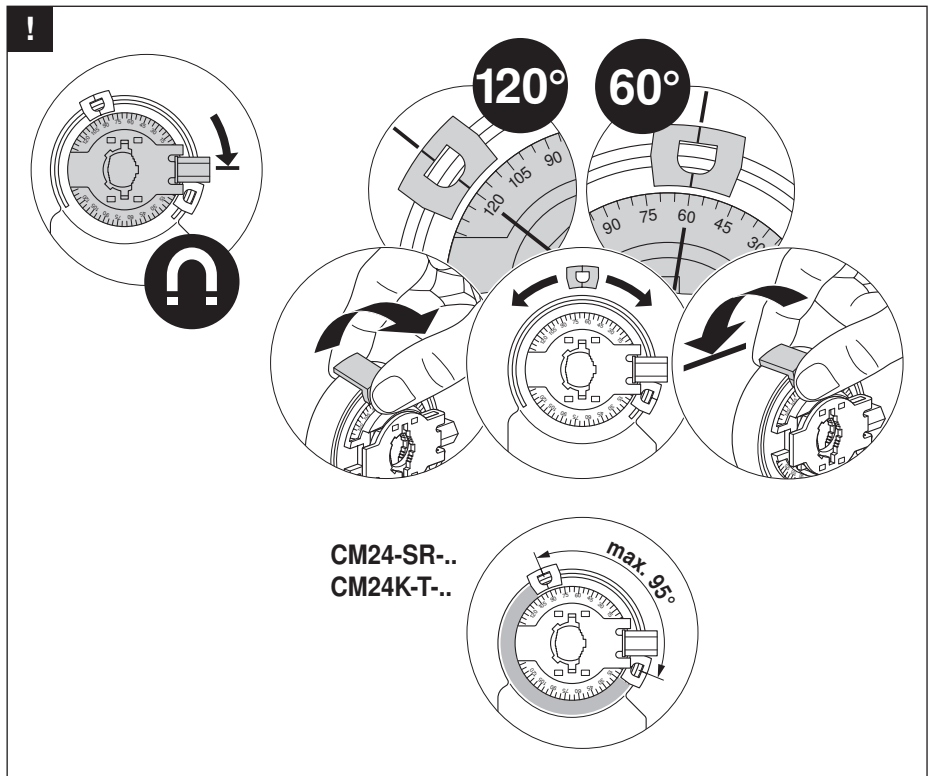
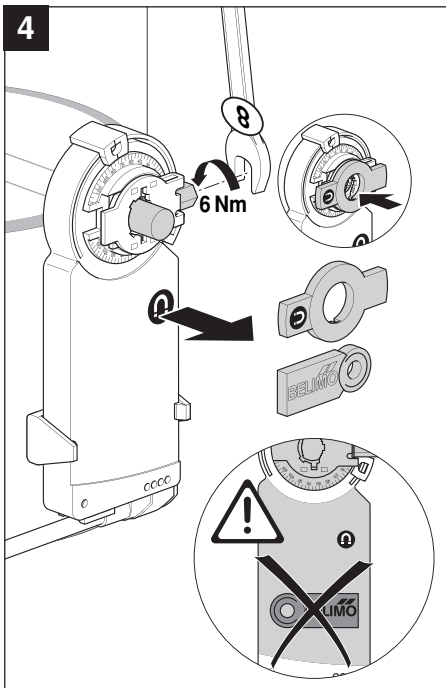
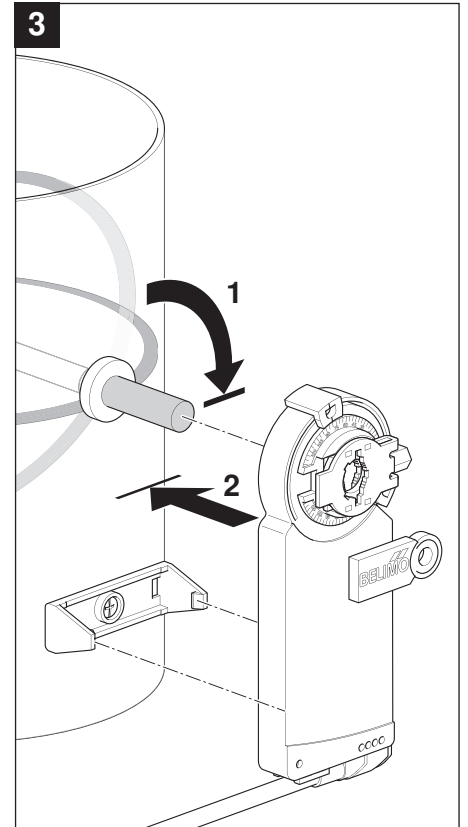
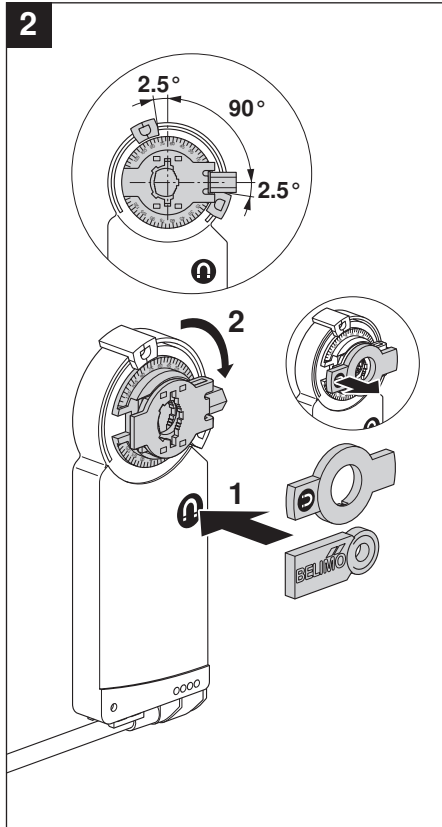
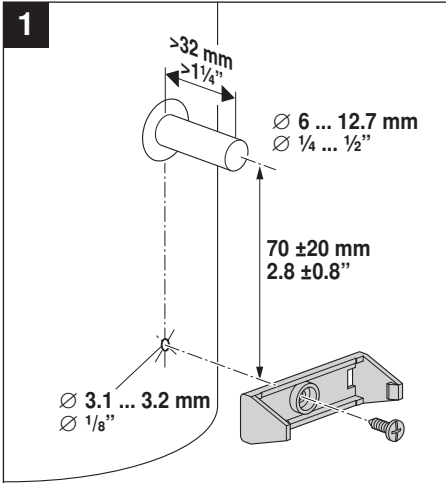
Dimensions [mm]

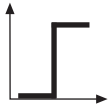
Dimensional drawings



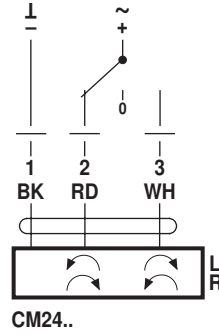
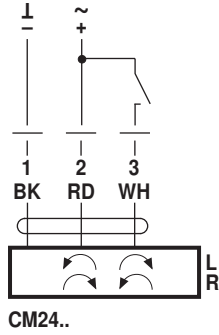
Damper spindle	Length	
	$\geq 32$	6 ... 12.7

70670-00002.E

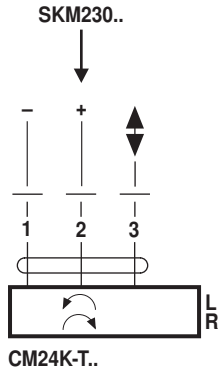




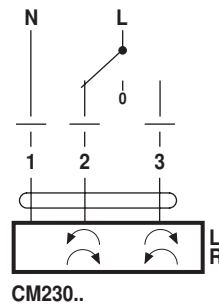
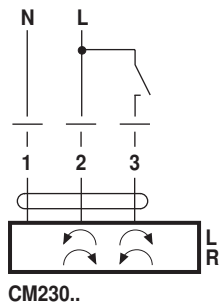
AC 24 V / DC 24 V



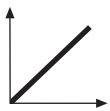
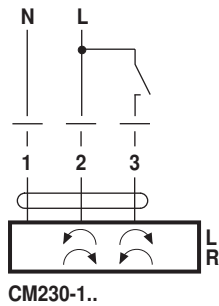
DC 24 V  
(SKM230..)



AC 100 ... 240 V ⚠



AC 230 V ⚠



AC 24 V / DC 24 V

