

Damper actuator for operating air control dampers in ventilation and air-conditioning systems for building services installations

- For air dampers up to approx. 0.4 m²
- Torque 2 Nm
- Nominal voltage AC/DC 24 V
- Control: Open-close or 3-point V
- Connecting terminals



Type overview

Type	Direction of rotation
CM24-T-L	counter-clockwise (ccw)
CM24-T-R	clockwise (cw)

Technical data

Electrical data	Nominal voltage	AC 24 V, 50/60 Hz / DC 24 V
	Nominal voltage range	AC/DC 19.2 ... 28.8 V
	Power consumption	In operation 0.5 W @ nominal torque At rest 0.2 W For wire sizing 1 VA
	Connection	Terminals for 3 x 1.5 mm ² CU wire or 3 x 1.0 mm ² CU litz wires
Functional data	Torque (nominal torque)	Min. 2 Nm @ nominal voltage
	Direction of rotation	See «Type overview»
	Manual override	Gear disengagement with magnet
	Angle of rotation	Without limit Endless With limit Fixed 315°↔ or 0 ... 287.5°↔ with mechanical end stops, can be adjusted in 2.5°↔ increments
	Running time	75 s / 90°↔
	Sound power level	Max. 35 dB (A)
	Position indicator	Mechanical, pluggable (with integrated magnet for gear disengagement)
	Safety	Protection class
	Degree of protection	IP20 in any mounting position NEMA1, UL Enclosure Type 1
	EMC	CE according to 2004/108/EC
	Certification	cULus according to UL 60730-1A and UL 60730-2-14 and CAN/CSA E60730-1:02 Certified to IEC/EN 60730-1 and IEC/EN 60730-2-14
	Mode of operation	Type 1 (EN 60730-1)
	Rated impulse voltage	0.8 kV (EN 60730-1)
	Control pollution degree	2 (EN 60730-1)
	Ambient temperature	-30 ... +50 °C
	Non-operating temperature	-40 ... +80 °C
	Ambient humidity	95% r.H., non-condensating (EN 60730-1)
	Maintenance	Maintenance-free
Dimensions / Weight	Dimensions	See «Dimensions» on page 2
	Weight	Approx. 160 g

Safety notes



- The actuator is not allowed to be used outside the specified field of application, especially in aircraft or any other form of air transport.
- Assembly must be carried out by trained personnel. Any legal regulations or regulations issued by authorities must be observed during assembly.
- The device may only be opened at the manufacturer's site. It does not contain any parts that can be replaced or repaired by the user.
- When calculating the required torque, the specifications supplied by the damper manufacturers (cross section, design, installation site), and the air flow conditions must be observed.

Safety notes

(Continue)

- The device contains electrical and electronic components and is not allowed to be disposed of as household refuse. All locally valid regulations and requirements must be observed.

Product features

- Simple direct mounting** Simple direct mounting on the damper spindle with a universal spindle clamp (\varnothing 6 ... 12.7 mm). The actuator is then secured with the anti-rotation strap supplied, to prevent it from rotating.
- Manual override** Manual override with magnet possible (the gear is disengaged as long as the magnet adheres to the symbol \odot). The magnet for gear disengagement is integrated in the position indicator.
- Adjustable angle of rotation** Adjustable angle of rotation with mechanical end stops.
- High functional reliability** The actuator is overload-proof, requires no limit switches and automatically stops when the end stop is reached.

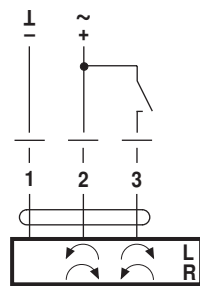
Electrical installation

Wiring diagrams

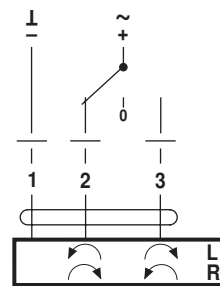
Note

- Connect via safety isolation transformer.
- Other actuators can be connected in parallel. Please note the performance data.

Open-close control

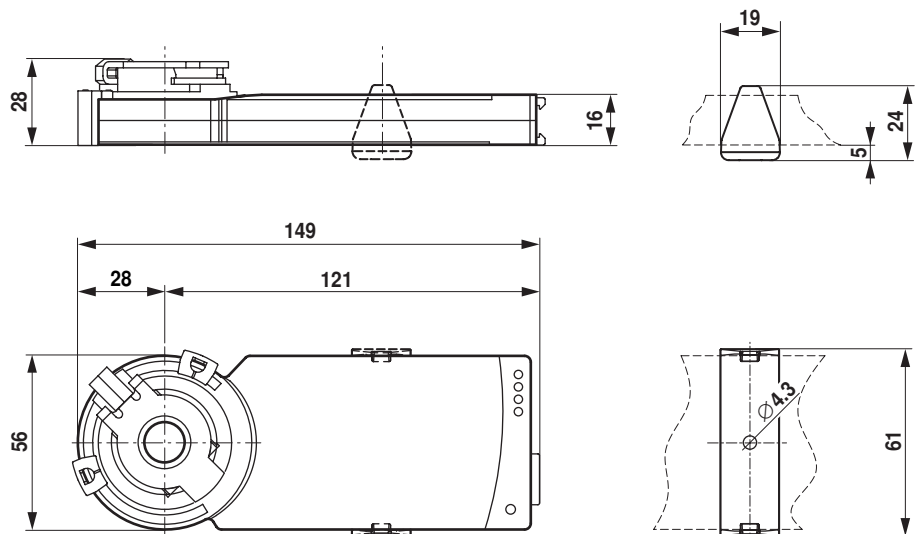


3-point control



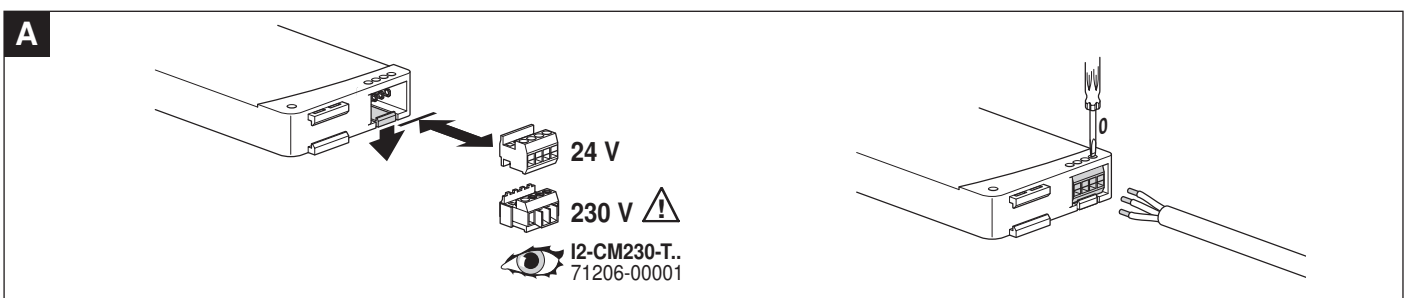
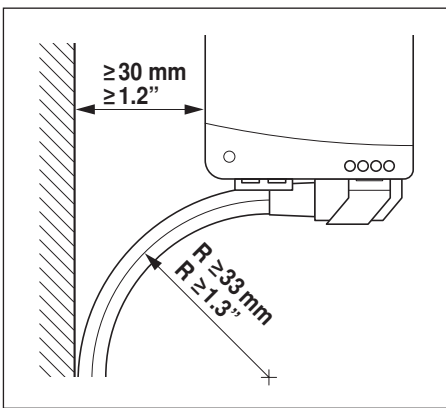
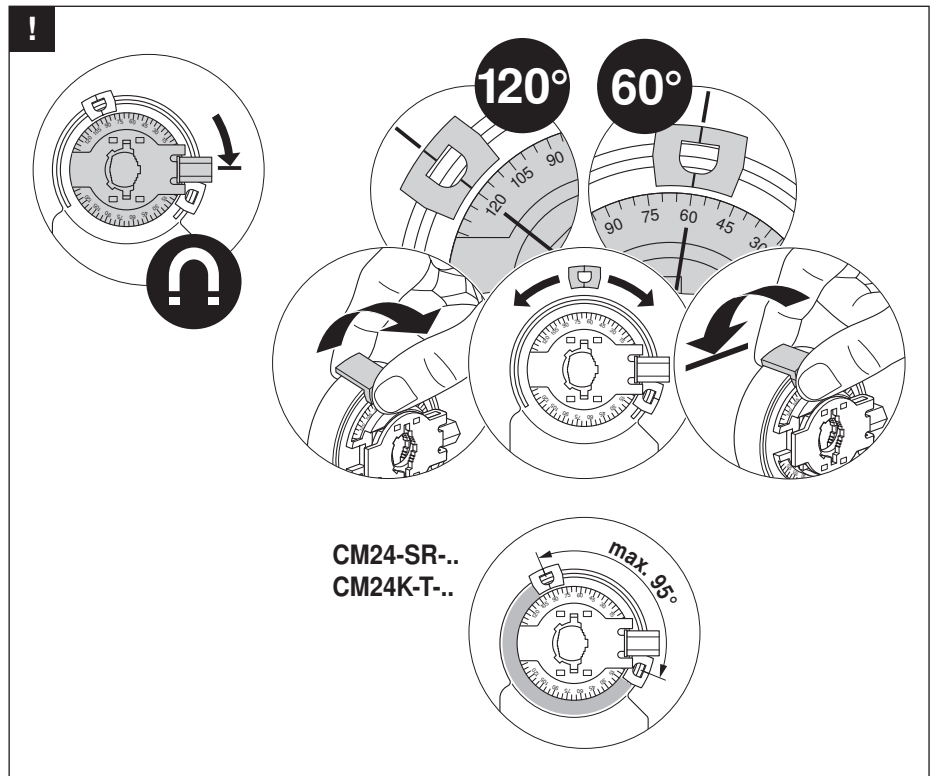
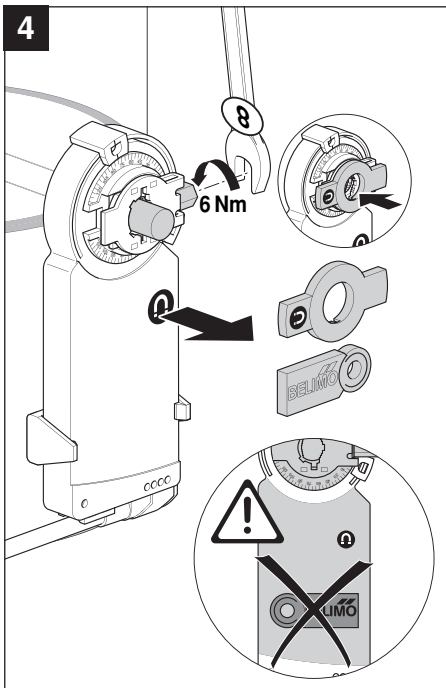
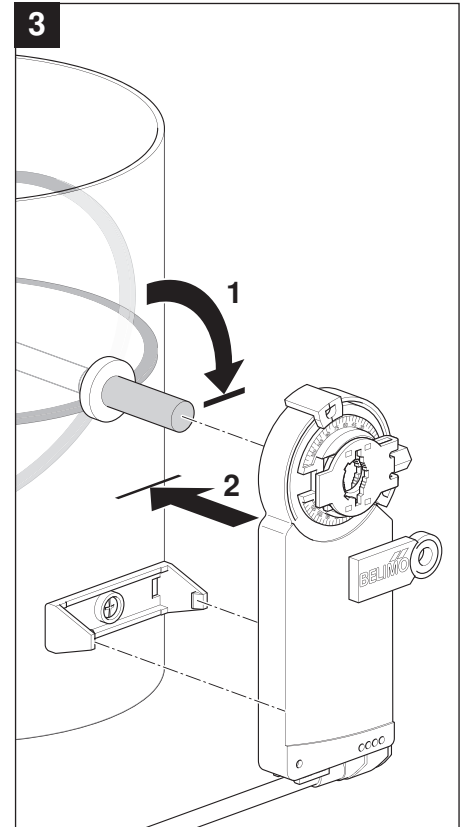
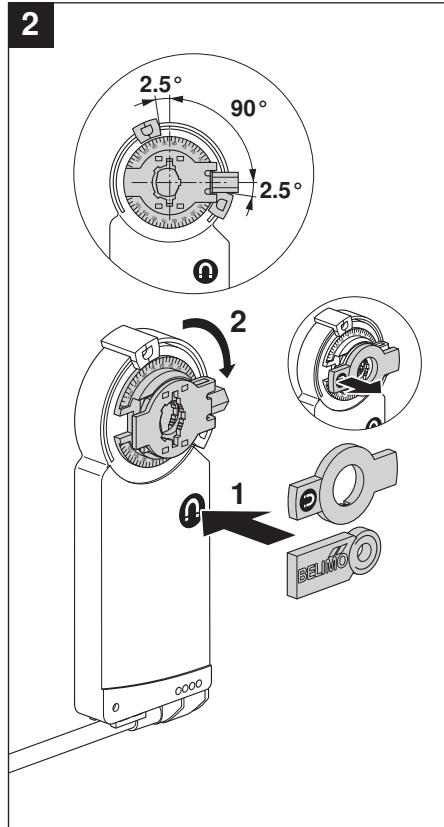
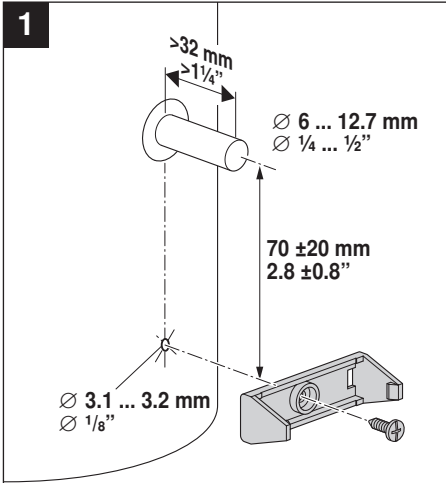
Dimensions [mm]

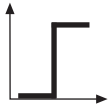
Dimensional drawings



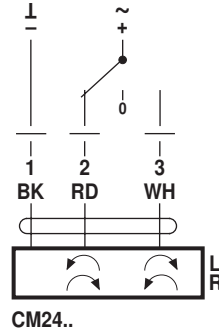
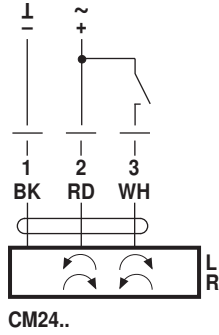
Damper spindle	Length	
	≥32	6 ... 12.7

70670-00002.E

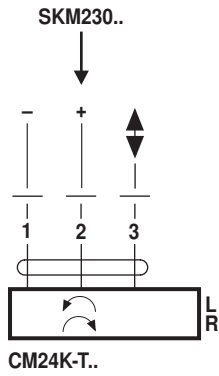




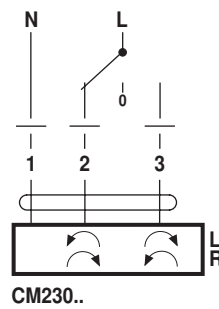
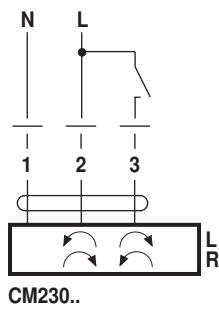
AC 24 V / DC 24 V



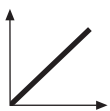
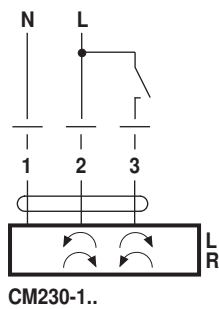
DC 24 V
(SKM230..)



AC 100 ... 240 V ⚠



AC 230 V ⚠



AC 24 V / DC 24 V

