

Damper actuator for operating air control dampers in ventilation and air-conditioning systems for building services installations

- For air dampers up to approx. 8 m²
- Torque 40 Nm
- Nominal voltage AC/DC 24 V
- Control: Open-close (not made for 3-point applications)



Technical data

Electrical data	Nominal voltage	AC 24 V, 50/60 Hz / DC 24 V	
	Nominal voltage range	AC/DC 19.2 ... 28.8 V	
	Power consumption	In operation	4 W @ nominal torque
		At rest	2 W
	For wire sizing	6 VA	
	Connection	Terminals 4 mm ² (Kabel Ø 4 ... 10 mm, three-core)	
Functional data	Torque (nominal torque)	Min. 40 Nm @ nominal voltage	
	Direction of rotation	Reversible with switch 0 ↺ resp. 1 ↻	
	Manual override	Gearing latch disengaged with push-button, can be locked	
	Angle of rotation	Max. 95°↔, limited on both sides by means of adjustable, mechanical end stops	
	Running time	150 s / 90°↔	
	Sound power level	Max. 45 dB (A)	
	Position indication	Mechanical, pluggable	
Safety	Protection class	III Safety extra-low voltage / UL Class 2 Supply	
	Degree of protection	IP54 in any mounting position NEMA2, UL Enclosure Type 2	
	EMC	CE according to 2004/108/EC	
	Certification	cULus according to UL 60730-1A and UL 60730-2-14 and CAN/CSA E60730-01:02 Certified to IEC/EN 60730-1 and IEC/EN 60730-2-14	
	Mode of operation	Type 1 (EN 60730-1)	
	Rated impulse voltage	0.8 kV (EN 60730-1)	
	Control pollution degree	3 (EN 60730-1)	
	Ambient temperature	-30 ... +50 °C	
	Non-operating temperature	-40 ... +80 °C	
	Ambient humidity	95% r.H., non-condensating (EN 60730-1)	
Maintenance	Maintenance-free		
Dimensions / Weight	Dimensions	See «Dimensions» on page 2	
	Weight	Approx. 1.7 kg	

Safety notes



- This actuator is not allowed to be used outside the specified field of application, especially in aircraft or in any other airborne means of transport.
- It may only be installed by suitably trained personnel. Any legal regulations or regulations issued by authorities must be observed during assembly.
- The device may only be opened at the manufacturer's site. It does not contain any parts that can be replaced or repaired by the user.
- When calculating the required torque, the specifications supplied by the damper manufacturers (cross section, design, installation site), and the air flow conditions must be observed.
- The device contains electrical and electronic components and is not allowed to be disposed of as household refuse. All locally valid regulations and requirements must be observed.

Product features

- Simple direct mounting** Simple direct mounting on the damper spindle with a universal spindle clamp, supplied with an anti-rotation strap to prevent the actuator from rotating.
- Manual override** Manual override with push-button possible (the gear is disengaged for as long as the button is pressed or remains locked).
- Adjustable angle of rotation** Adjustable angle of rotation with mechanical end stops.
- High functional reliability** The actuator is overload-proof, requires no limit switches and automatically stops when the end stop is reached.

Accessories

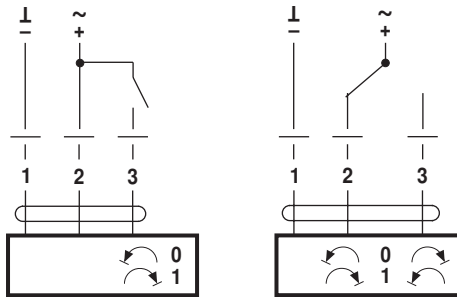
	Description	Data sheet
Electrical accessories	Auxiliary switch S..A..	T2 - S..A..
	Feedback potentiometer P..A..	T2 - P..A..
Mechanical accessories	Various accessories (damper and actuator crank arms, anti-rotation strap etc.)	T2 - Z-GM..A..

Electrical installation

Wiring diagrams

Note

- Connect via safety isolation transformer.
- Parallel connection of other actuators possible. Note performance data for supply.



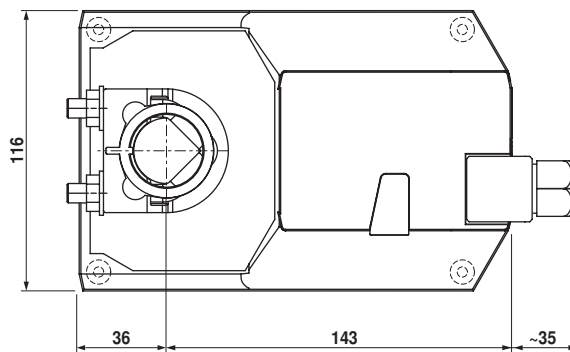
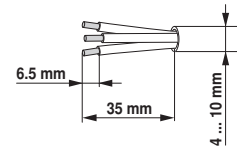
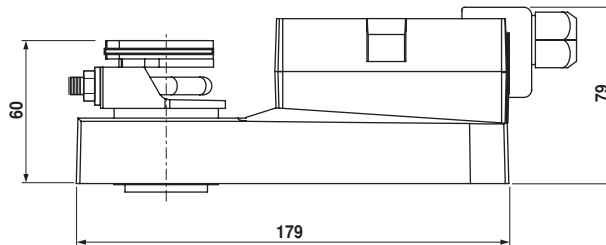
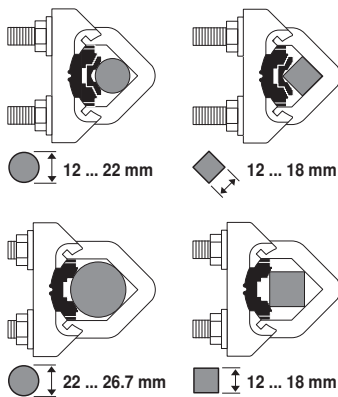
Direction of rotation



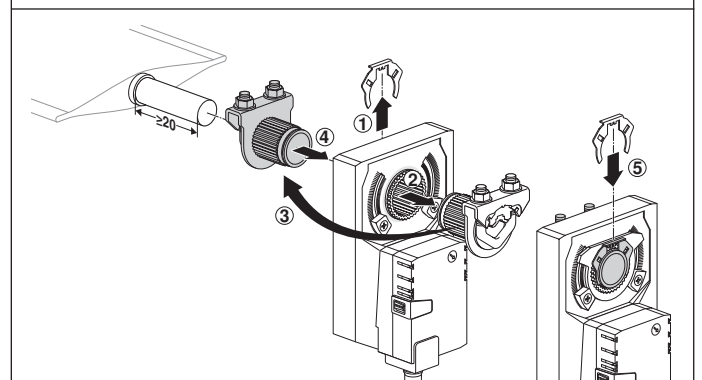
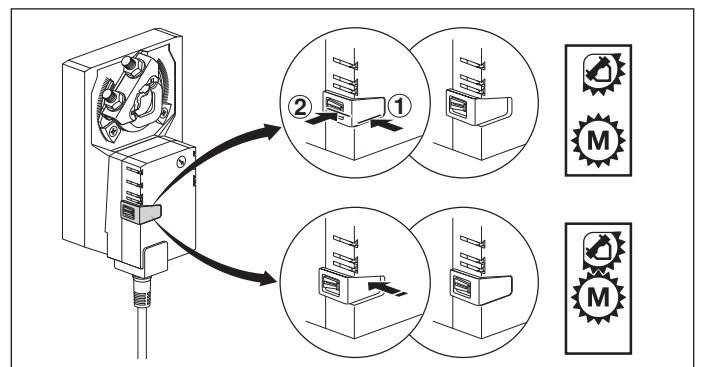
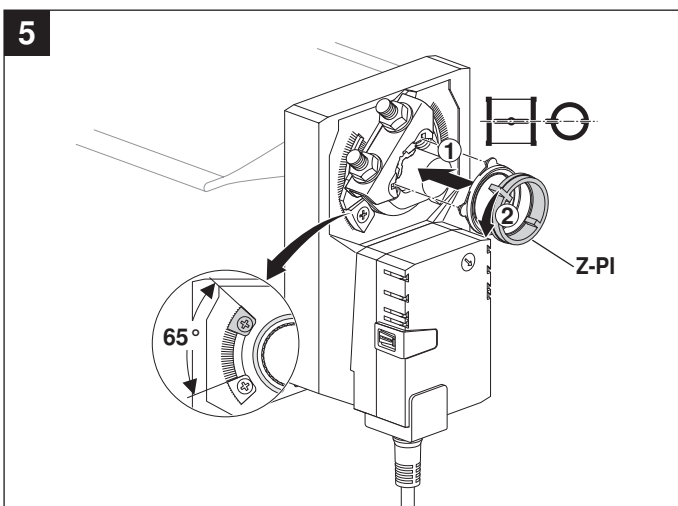
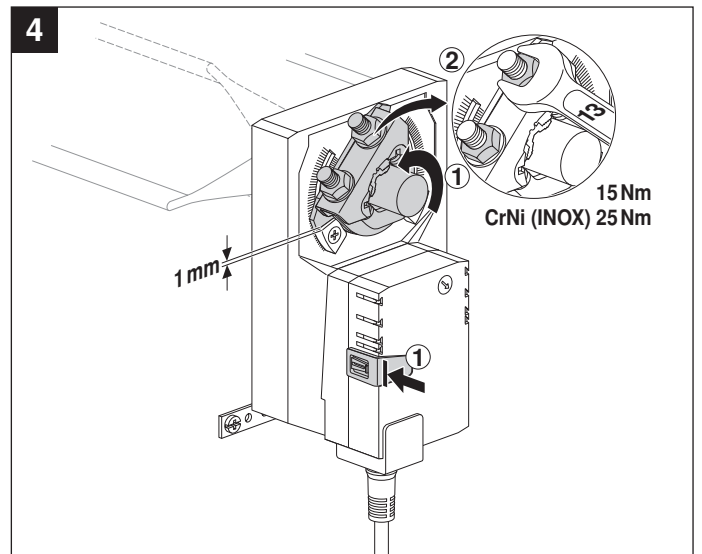
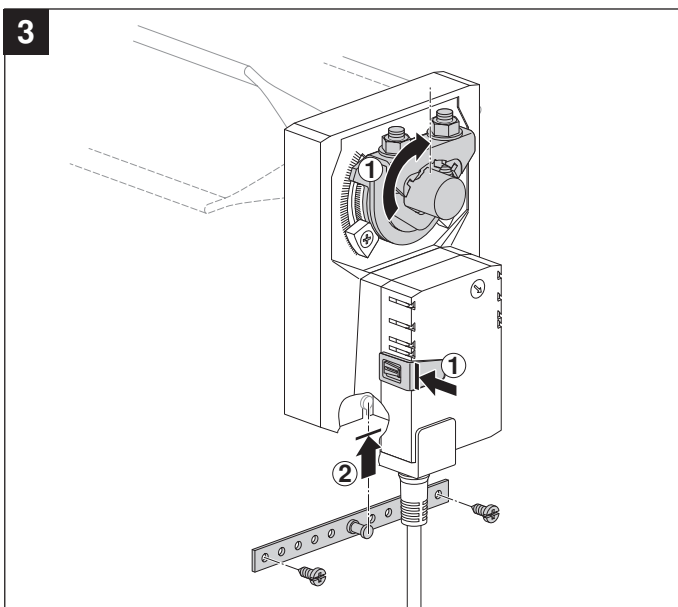
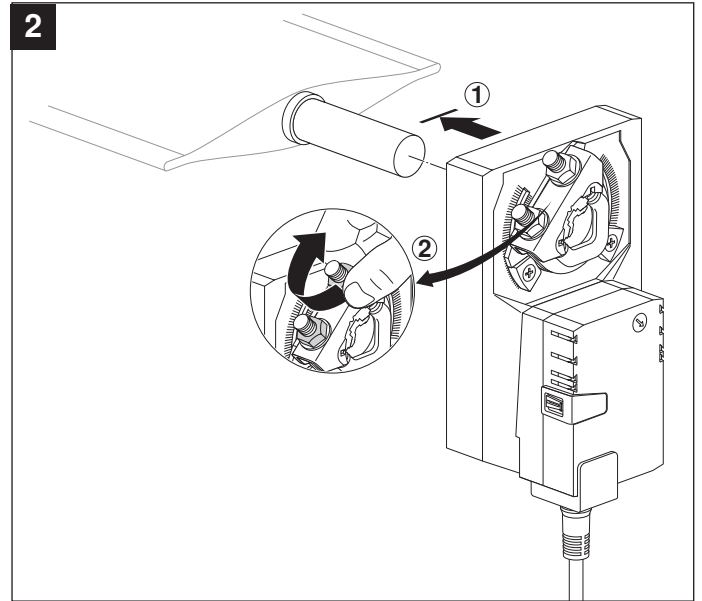
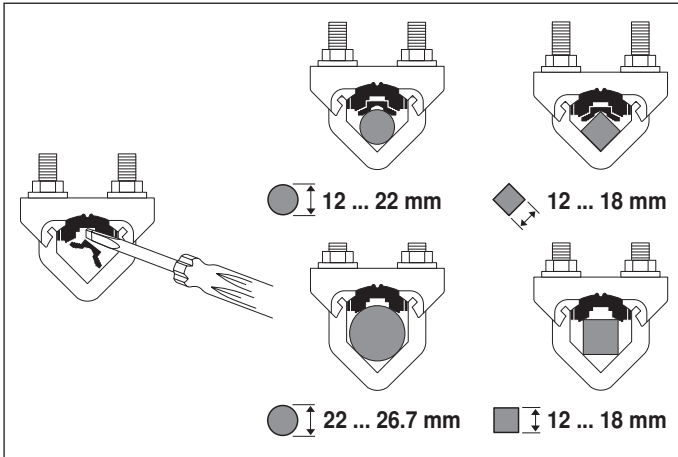
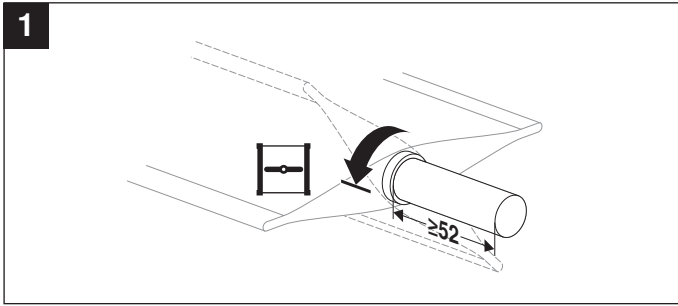
Dimensions [mm]

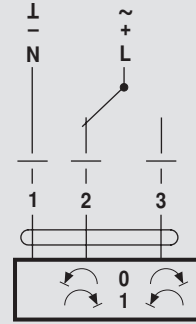
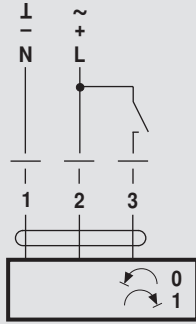
Dimensional drawings

Damper spindle	Length	⌀ I	II	III
	≥ 52	12 ... 26.7	≥ 12	≤ 25.2
	≥ 20	12 ... 26.7	≥ 12	≤ 25.2

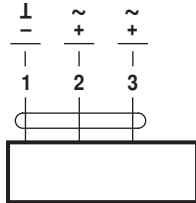


70214-00007.H



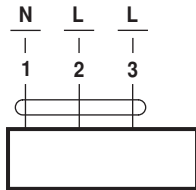


AC 24 V / DC 24 V

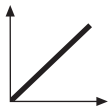


GM24A..

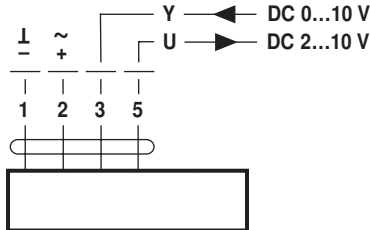
AC 100 ... 240 V



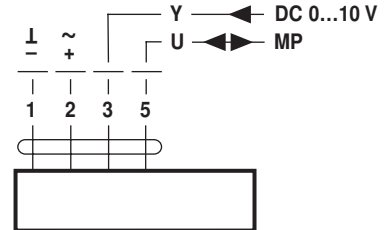
GM230A..



AC 24 V / DC 24 V

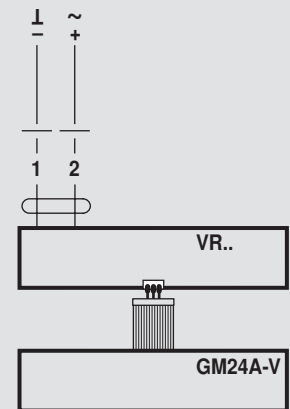


GM24A-SR..
GM24A-MF..



GM24A-MP..

AC 24 V / DC 24 V
(GM24A-V / VR..)



GM24A-V / VR..

