

Multifunctional damper actuator for operating air control dampers in ventilation and air-conditioning systems for building services installations

- For air dampers up to approx. 1 m²
- Torque 5 Nm
- Nominal voltage AC/DC 24 V
- Control: modulating DC 0 ... 10 V or variable
- Position feedback DC 2 ... 10 V or variable



Technical data

Electrical data

Nominal voltage	AC 24 V, 50/60 Hz / DC 24 V
Nominal voltage range	AC 19.2 ... 28.8 V / DC 21.6 ... 28.8 V
Power consumption	2.5 W @ nominal torque
At rest	1.2 W
For wire sizing	5 VA
Connection	Terminals 4 mm ² (Cable Ø 4 ... 10 mm, four-core)

Functional data	Factory settings	Variable	Settings
Torque (nominal torque)	Min. 5 Nm @ nominal voltage	25%, 50%, 75% reduced
Control Control signal Y	DC 0 ... 10 V, input impedance 100 kΩ	Open-close / 3-point (only AC), modulating (DC 0 ... 32 V)
Operating range	DC 2 ... 10 V	Starting point DC 0.5 ... 30 V End point DC 2.5 ... 32 V
Position feedback (Measuring voltage)	DC 2 ... 10 V, max. 0.5 mA	Starting point DC 0.5 ... 8 V End point DC 2.5 ... 10 V
Position accuracy	±5%		
Direction of rotation	Reversible with switch 0 / 1		
Direction of motion at Y = 0 V	At switch position 0 ↺ resp. 1 ↻	Electronically reversible
Manual override	Gearing latch disengaged with push-button, can be locked		
Angle of rotation	Max. 95°↔, limited on both sides by means of adjustable, mechanical end stops		
Running time	150 s / 90°↔	35 ... 150 s
Automatic adjustment of running time, operating range and measuring signal U to match the mechanical angle of rotation	Manual triggering of the adaption by pressing the «Adaption» button or with the PC-Tool	Automatic adaption whenever the supply voltage is switched on, or manual triggering
Override control	MAX (maximum position) = 100% MIN (minimum position) = 0% ZS (intermediate position, only AC) = 50%	MAX = (MIN + 30°↔) ... 100% MIN = 0% ... (MAX - 30°↔) ZS = MIN ... MAX
Sound power level	Max. 35 dB (A)	With a 35 s = 45 dB (A) running time of 90 s = <35 dB (A)
Position indication	Mechanical, pluggable		

Safety

Protection class	III Safety extra-low voltage / UL Class 2 Supply
Degree of protection	IP54 in any mounting position NEMA2, UL Enclosure Type 2
EMC	CE according to 2004/108/EC
Certification	cULus according to UL 60730-1A and UL 60730-2-14 and CAN/CSA E60730-01:02 Certified to IEC/EN 60730-1 and IEC/EN 60730-2-14
Mode of operation	Type 1 (EN 60730-1)
Rated impulse voltage	0.8 kV (EN 60730-1)
Control pollution degree	3 (EN 60730-1)
Ambient temperature	-30 ... +50 °C
Non-operating temperature	-40 ... +80 °C
Ambient humidity	95% r.H., non-condensating (EN 60730-1)
Maintenance	Maintenance-free

Technical data *(continued)*
Dimensions / Weight





Dimensions	See «Dimensions» on page 5
Weight	Approx. 440 g

Safety notes


- This actuator is not allowed to be used outside the specified field of application, especially in aircraft or in any other airborne means of transport.
- It may only be installed by suitably trained personnel. Any legal regulations or regulations issued by authorities must be observed during assembly.
- The device may only be opened at the manufacturer's site. It does not contain any parts that can be replaced or repaired by the user.
- The cable must not be removed from the device.
- When calculating the required torque, the specifications supplied by the damper manufacturers (cross section, design, installation site), and the air flow conditions must be observed.
- The device contains electrical and electronic components and is not allowed to be disposed of as household refuse. All locally valid regulations and requirements must be observed.

Product features

Mode of operation	The actuator is controlled with a standard modulating signal of DC 0 ... 10 V and moves to the position defined by the control signal. The measuring voltage U serves for the electrical display of the damper position 0 ... 100% and as slave control signal for other actuators.
Parameterisable actuators	The factory settings cover the most common applications. Input and output signals and other parameters can be altered with the MFT-H parameterising device or the BELIMO Service Tool, MFT-P.
Simple direct mounting	Simple direct mounting on the damper spindle with a universal spindle clamp, supplied with an anti-rotation strap to prevent the actuator from rotating.
Manual override	Manual override with push-button possible (the gear is disengaged for as long as the button is pressed or remains locked).
Adjustable angle of rotation	Adjustable angle of rotation with mechanical end stops.
High functional reliability	The actuator is overload-proof, requires no limit switches and automatically stops when the end stop is reached.
Home position	When the supply voltage is switched on for the first time, i.e. at commissioning or after pressing the «gear disengagement» switch, the actuator moves to the home position.

Pos.	Direction of rotation switch	Home position
0	Y = 0 	ccw  Left stop
1	Y = 0 	 cw Right stop

The actuator then moves into the position defined by the control signal.

Accessories

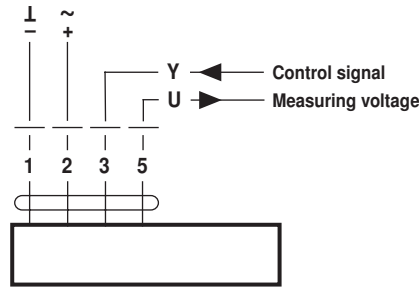
	Description	Data sheet
Electrical accessories	Auxiliary switch S..A..	T2 - S..A..
	Feedback potentiometer P..A..	T2 - P..A..
	Parameterizing device MFT-H	T2 - MFT-H
	PC-Tool MFT-P	T2 - MFT-P
	Positioner, type SG..24	T2 - SG..24
	Digital position indication ZAD24	T2 - ZAD24
Mechanical accessories	Various accessories (clamps, shaft extensions etc.)	T2 - Z-LM..A..

Electrical installation

Wiring diagram

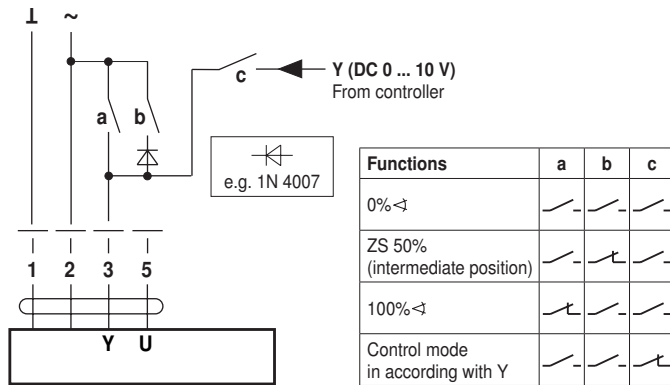
Note

- Connect via safety isolation transformer.
- Parallel connection of other actuators possible. Note performance data for supply.

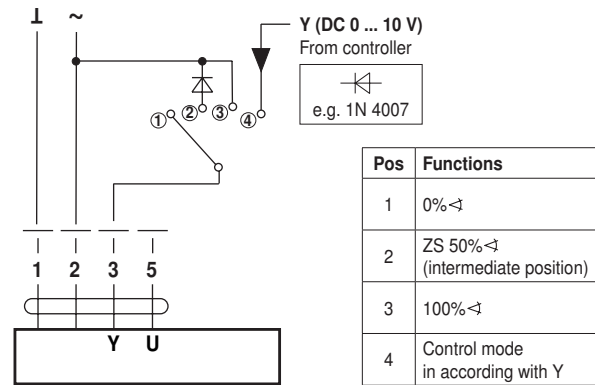


Functions with basic values

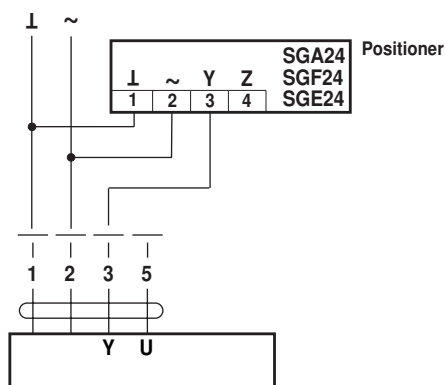
Override control with AC 24 V with relay contacts



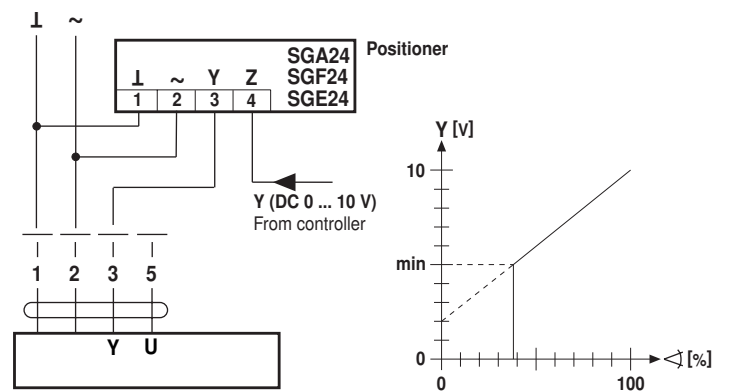
Override control with AC 24 V with rotary control switch



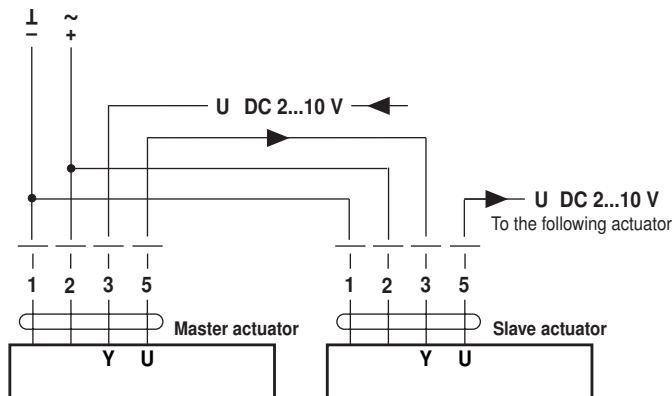
Remote control 0 ... 100%



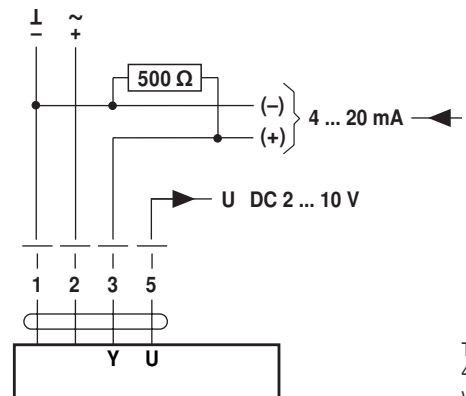
Minimum limit



Master/Slave control (position-dependent)



Control with 4 ... 20 mA via external resistance

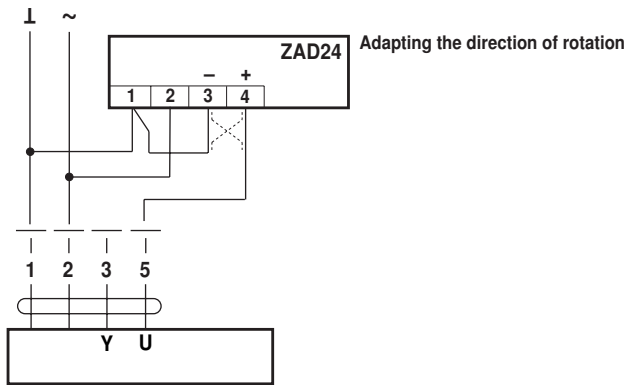


The 500 Ω resistor converts the 4 ... 20 mA current signal into a voltage signal DC 2 ... 10 V

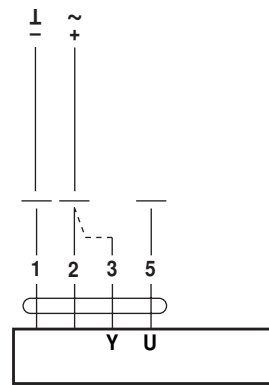
Functions with basic values

(continued)

Position indication



Functional check

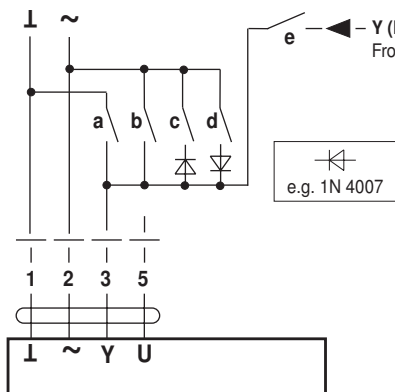


Procedure

- Apply 24 V to connection 1 and 2
- Disconnect connection 3:
 - For direction of rotation 0: Actuator turns in the direction of ↺
 - For direction of rotation 1: Actuator turns in the direction of ↻
- Short circuit connections 2 and 3:
 - Actuator runs in the opposite direction

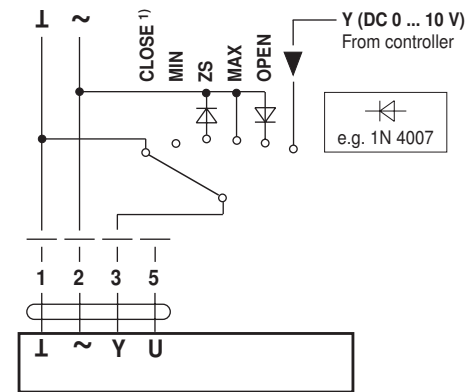
Functions for actuators with specific parameters

Override control and limiting with AC 24 V with relay contacts



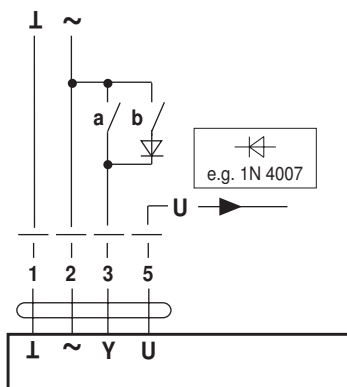
Functions	a	b	c	d	e
CLOSE 1)					
MIN					
ZS (intermediate position)					
MAX					
OPEN					
Control mode in acc. with Y					

Override control and limiting with AC 24 V with rotary switch



1) **Caution!** This function is only guaranteed if the start point of the operating range is defined as min. 0.6 V.

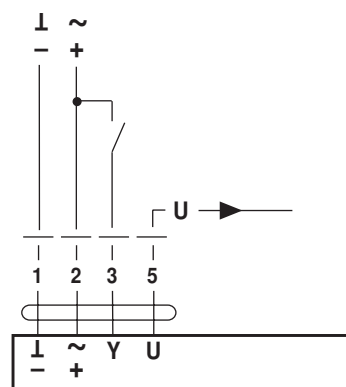
3-point control



Drehsinn-schalter

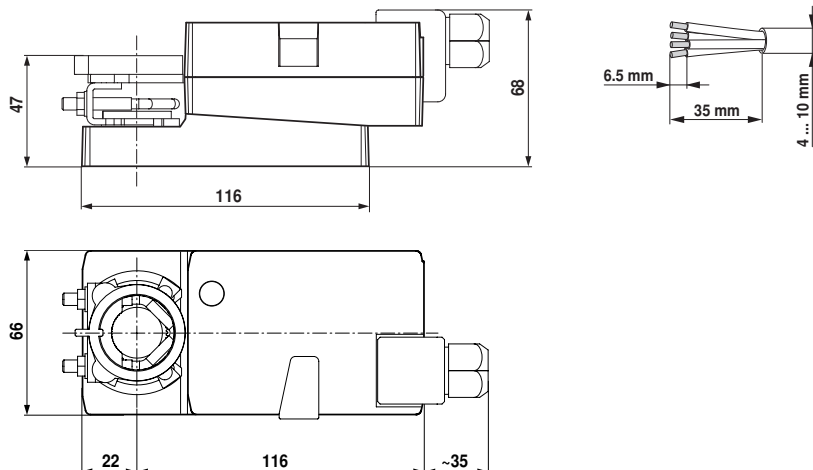
a	b	1	0
		Stop	Stop




Open-close control



Dimensions [mm]

Dimensional drawings



Damper spindle	Length			
	≥37	6 ... 20	≥6	≤20

Operating controls and indicators

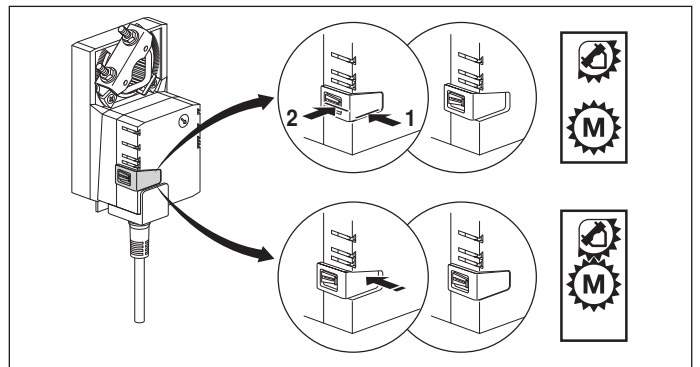
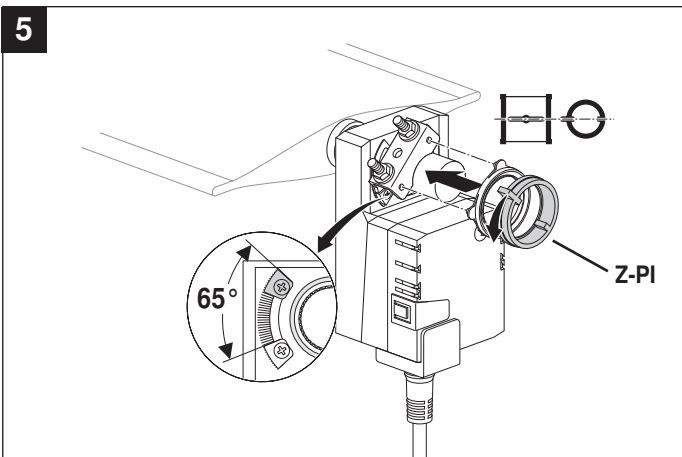
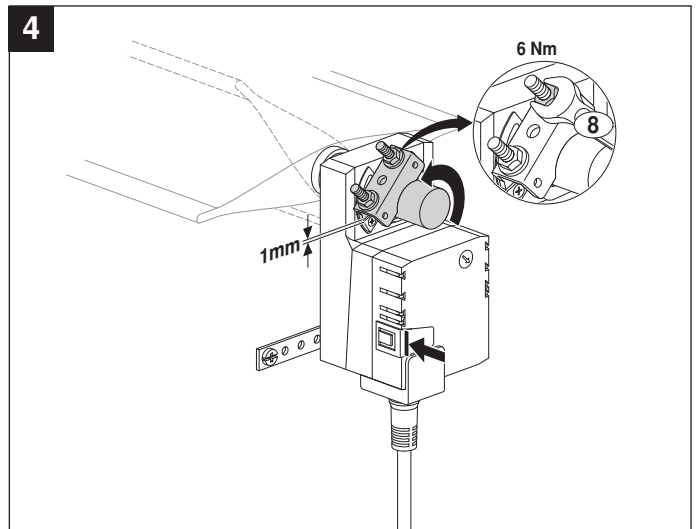
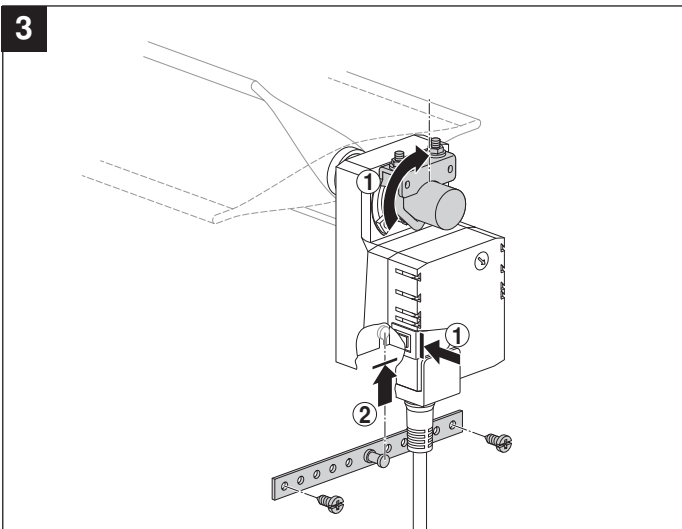
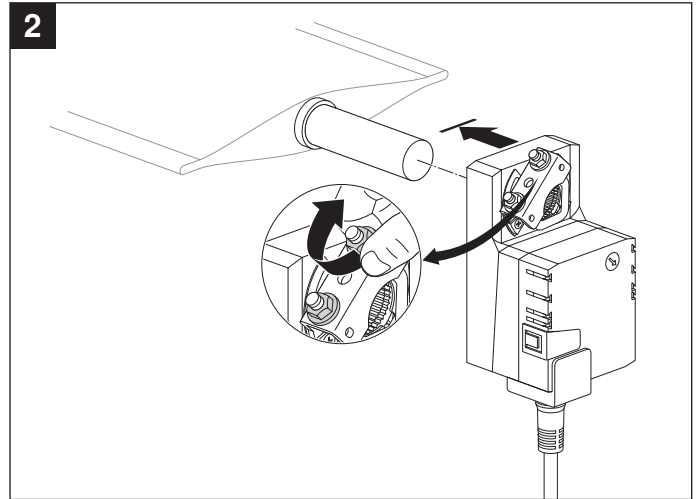
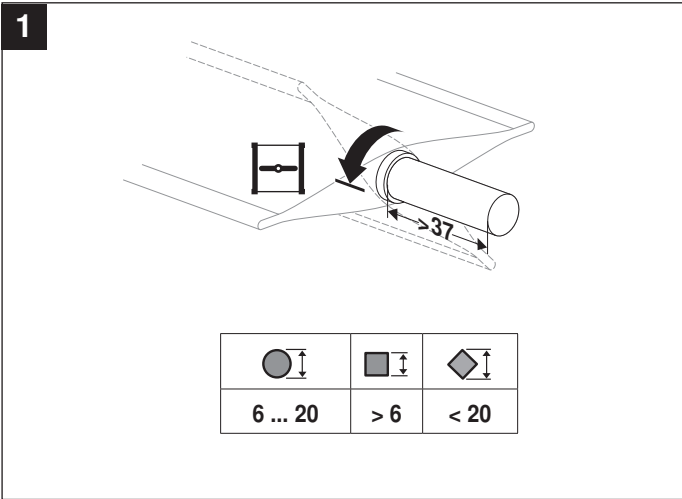


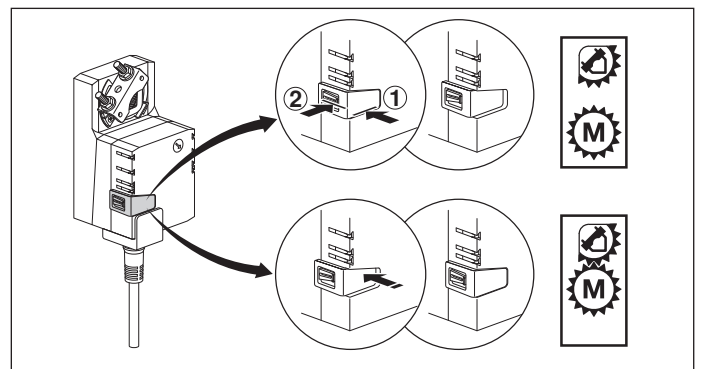
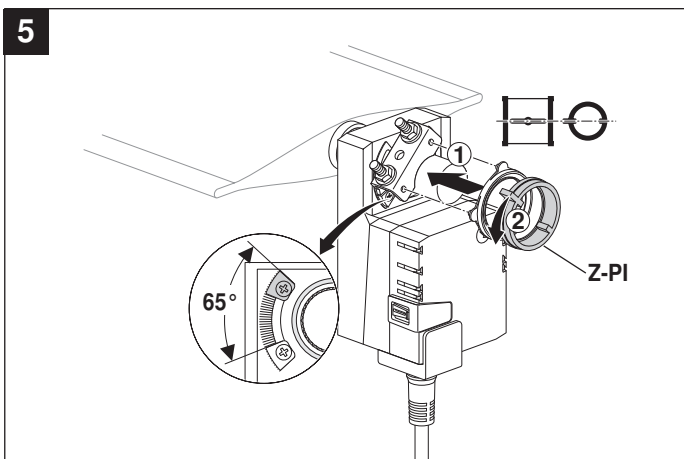
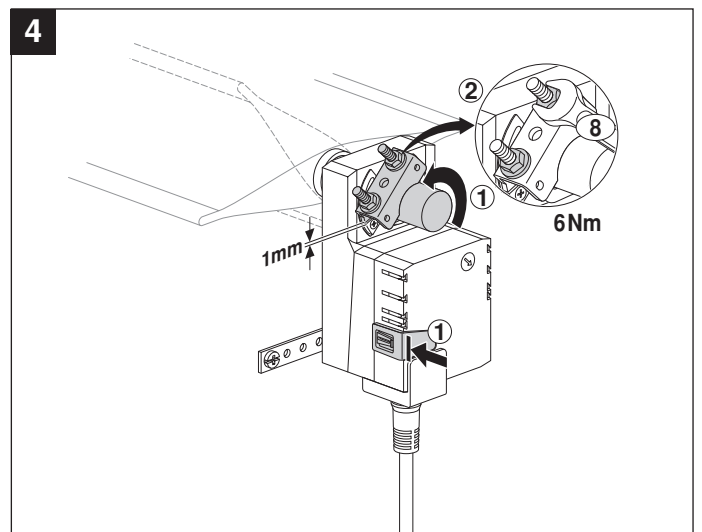
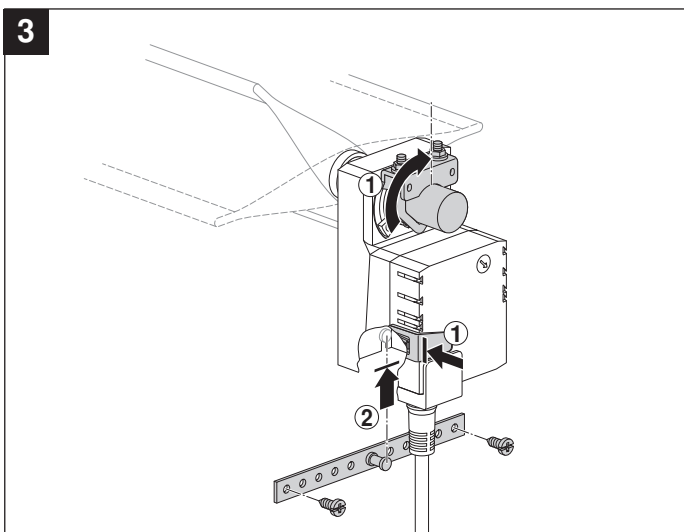
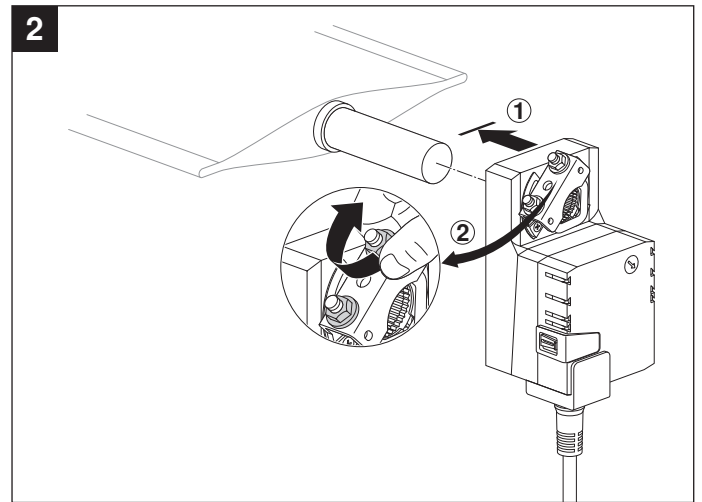
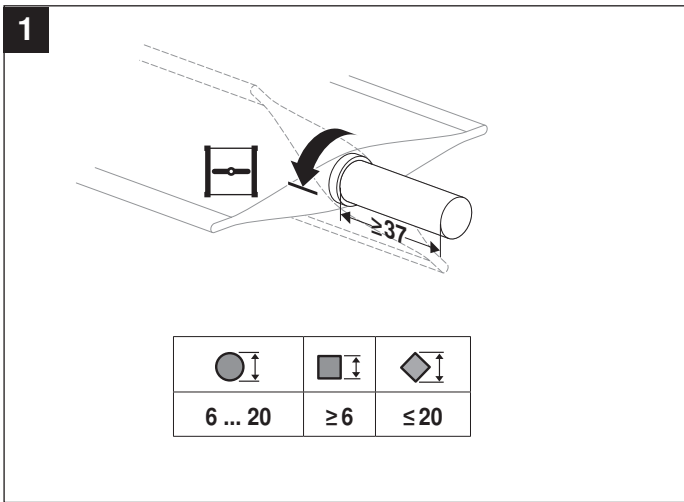
- ① **Direction of rotation switch**
Switching over:: Direction of rotation changes
- ② **Push-button and green LED display**
Off: No voltage supply or fault
On: Operation
Press button: Switches on angle of rotation adaptation followed by standard operation
- ③ **Push-button and yellow LED display**
Off: Standard operation
On: Adaptation or synchronising process active
Press button: No function
- ④ **Gear disengagement switch**
Press button: Gear disengaged, motor stops, manual override possible
Release button: Gear engaged, synchronisation starts, followed by standard operation
- ⑤ **Service plug**
For connecting parameterising and service tools

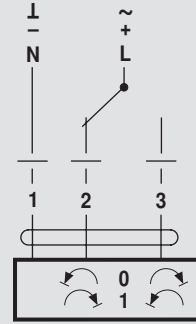
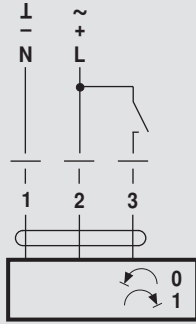
Check connection power supply

- ② Off } or flashing }
③ On } or flashing } Check the power supply connections. \perp and ∇ could be reverse.

70214-00001.C

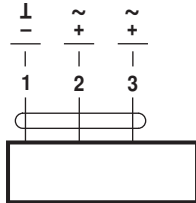




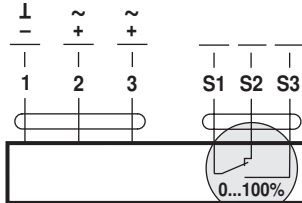


AC 24 V / DC 24 V

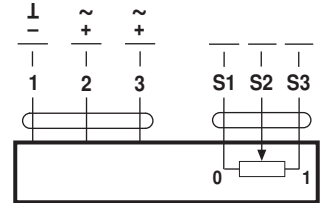
DC 48 ... 110 V
(LM72A..) ⚠



LM24A.. LMC24A..
LM72A.. TMC24A..

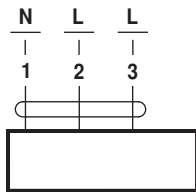


LM24A-S.. TMC24A-S..
LM72A-S..

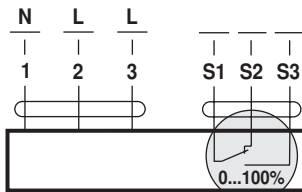


LM24AP5..

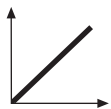
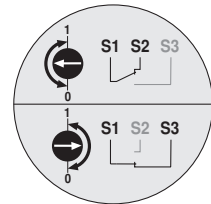
AC 100 ... 240 V ⚠



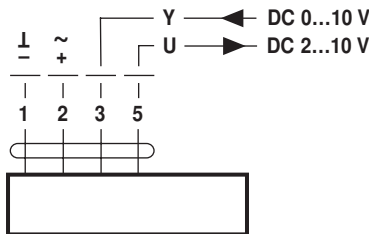
LM230A.. LMC230A..
TMC230A..



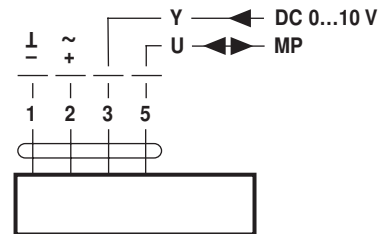
LM230A-S.. TMC230A-S..



AC 24 V / DC 24 V

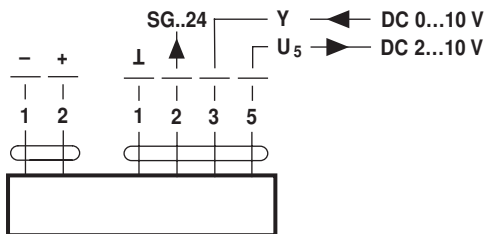


LM24A-SR.. LMC24A-SR..
LM24A-MF.. TMC24A-SR..



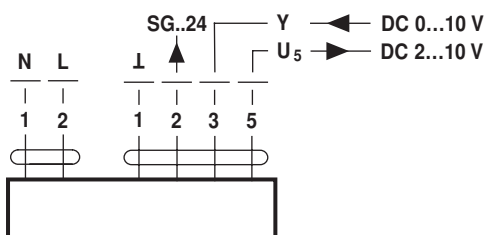
LM24A-MP..

DC 48 ... 110 V
(LM72A-SR..) ⚠



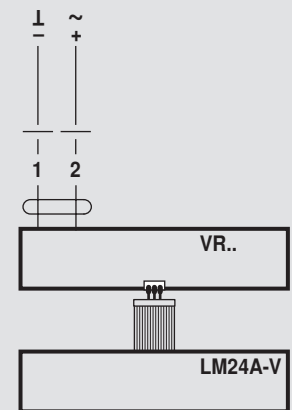
LM72A-SR..

AC 100 ... 240 V ⚠



LM230ASR..

AC 24 V / DC 24 V
(LM24A-V / VR..) ⚠



LM230A-V / VR..