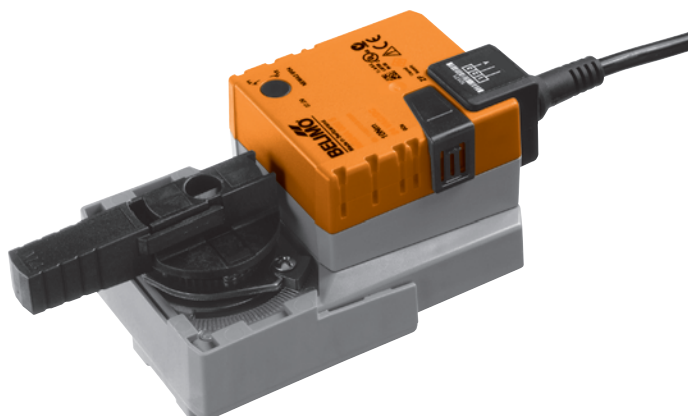


Rotary actuator
for 2- and 3-way (control) ball valves

- Torque 10 Nm
- Nominal voltage AC 100 ... 240 V
- Control: Open/close or 3-point



Technical data

Electrical data	Nominal voltage	AC 100 ... 240 V, 50/60 Hz
	Nominal voltage range	AC 85 ... 265 V
	Power consumption	In operation 2.5 W @ nominal torque At rest 0.6 W For wire sizing 5.5 VA
	Connection	Cable 1 m, 3 x 0.75 mm ²
	Parallel connection	Possible, note performance data
Functional data	Torque (nominal torque)	Min. 10 Nm @ nominal voltage
	Manual override	Gearing latch disengaged with pushbutton, can be locked
	Running time	90 s / 90°↔
	Sound power level	Max. 35 dB (A) (without the valve)
	Position indication	Mechanical, pluggable
Safety	Protection class	II totally insulated <input type="checkbox"/>
	Degree of protection	IP54 in any mounting position NEMA 2, UL Enclosure Type 2
	EMC	CE according to 2004/108/EC
	Low-voltage directive	CE according to 2006/95/EC
	Certification	cULus according to UL 60730-1A and UL 60730-2-14 and CAN/CSA E60730-1:02 Certified to IEC/EN 60730-1 and IEC/EN 60730-2-14
	Mode of operation	Type 1
	Rated impulse voltage	2.5 kV
	Control pollution degree	3
	Ambient temperature	0 ... +50°C
	Media temperature	+5 ... +110°C in (control) ball valve -10°C with stem heating upon request
Dimensions / Weight	Non-operating temperature	-40 ... +80°C
	Ambient humidity	95% r.H., non-condensating
	Maintenance	Maintenance-free
	Dimensions	See «Dimensions» on page 2
	Weight	Approx. 750 g

Safety notes



- The actuator has been designed for use in stationary heating, ventilation and air conditioning systems and is not allowed to be used outside the specified field of application, especially in aircraft or in any other airborne means of transport.
- Caution: Power supply AC 230 V !
- It may only be installed by suitably trained personnel.
All applicable legal or institutional installation regulations must be complied with.
- The switch for changing the direction of rotation may only be operated by authorized personnel. The direction of rotation must not be reversed in a frost protection circuit.
- The device may only be opened at the manufacturer's site. It does not contain any parts that can be replaced or repaired by the user.
- The cable must not be removed from the device.
- The device contains electrical and electronic components and is not allowed to be disposed of as household refuse. All locally valid regulations and requirements must be observed.

Product features

- Simple direct mounting** Straightforward direct mounting on the ball valve with only one screw. The assembly tool is integrated in the plug-on position indicator. The mounting position in relation to the ball valve can be selected in 90° steps.
- Manual override** Manual override with push-button possible (the gear is disengaged for as long as the button is pressed or remains locked).
- Adjustable angle of rotation** Adjustable angle of rotation with mechanical end stops.
- High functional reliability** The actuator is overload-proof, requires no limit switches and automatically stops when the end stop is reached.

Accessories

	Description	Data sheet
Electrical Accessories	Auxiliary switch S..A..	T2 - S..A..
	Feedback potentiometer P..A..	T2 - P..A..

Electrical installation

Wiring diagrams

Notes

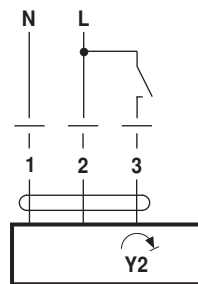
- Caution: Power supply AC 230 V !
- Parallel connection of other actuators possible. Note performance data.
- Direction of rotation switch is covered. Factory setting: Direction of rotation Y2.



Direction of rotation



Open-close control

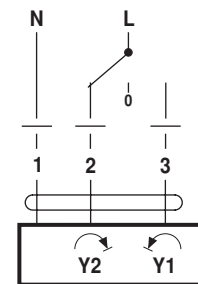


Label colours:

- 1=blue
- 2=braun
- 3=white

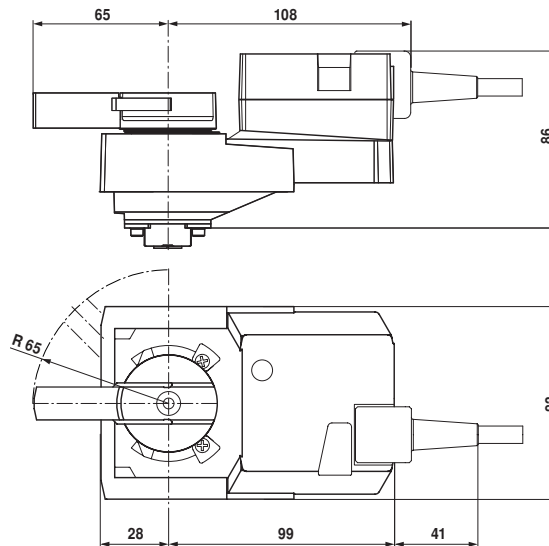
Actuator	valve
Y2	A - AB = 0%

3-point control



Dimensions [mm]

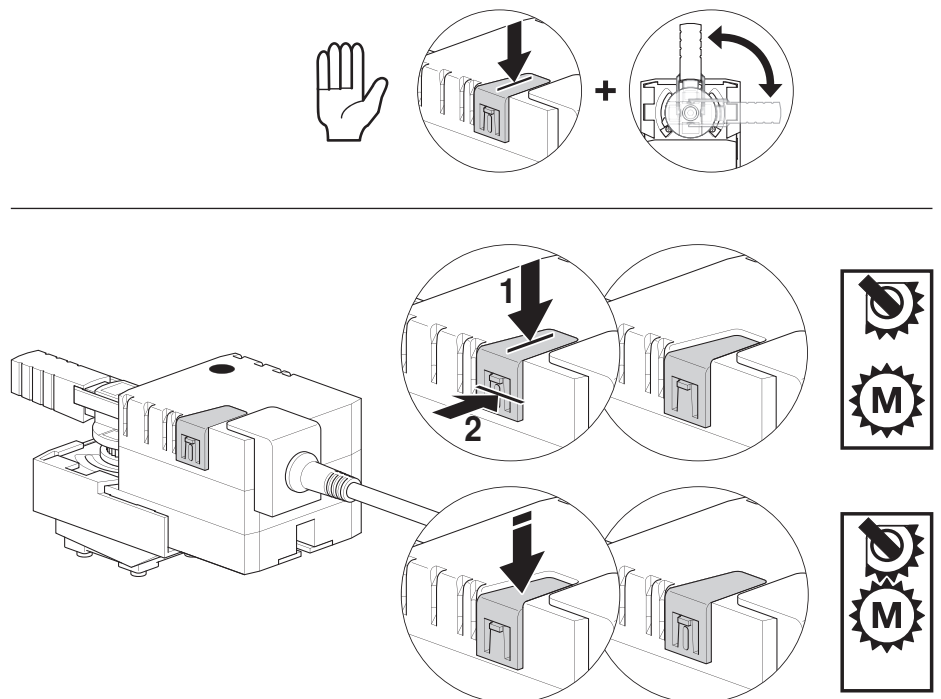
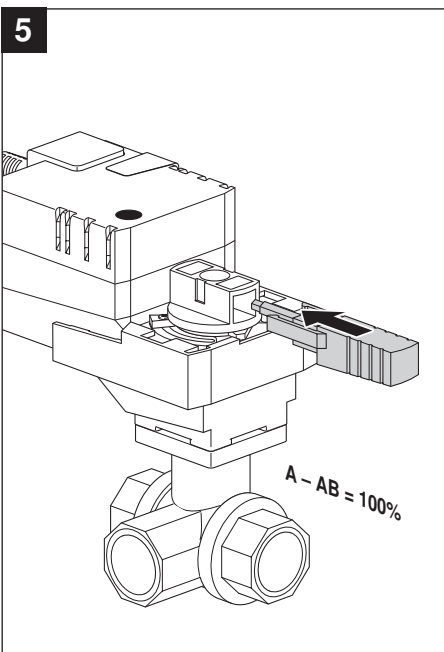
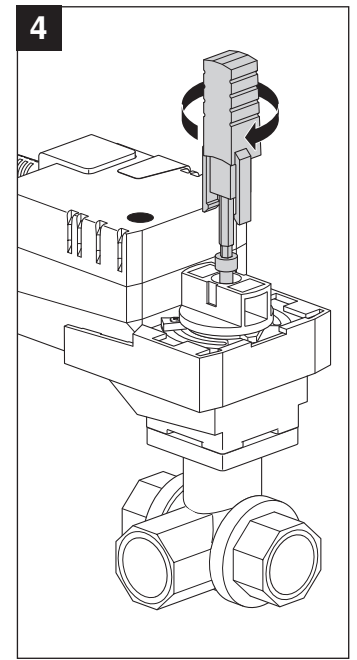
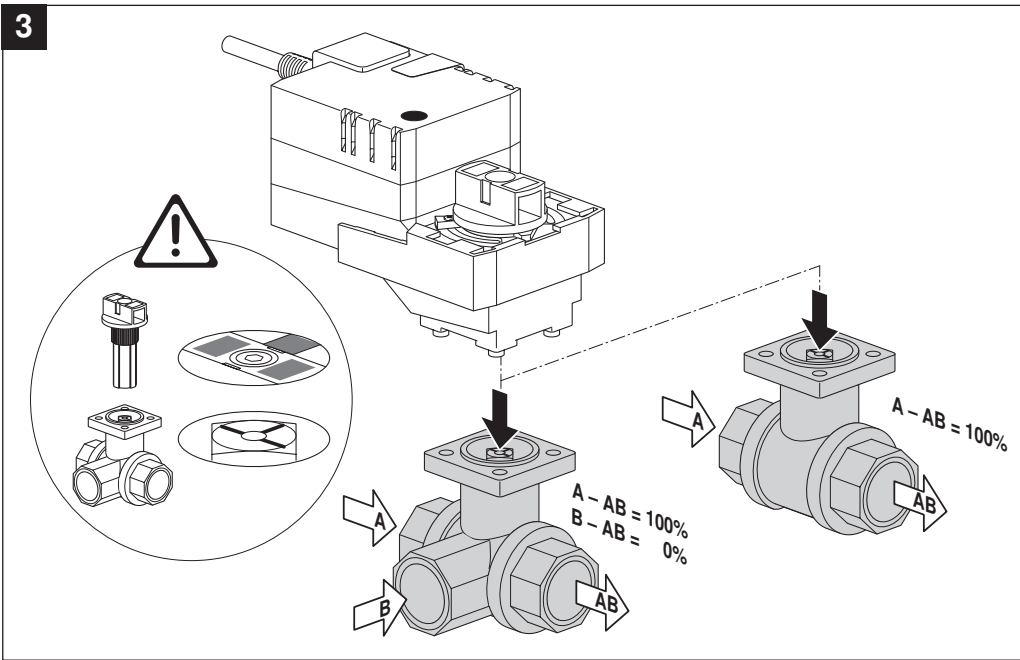
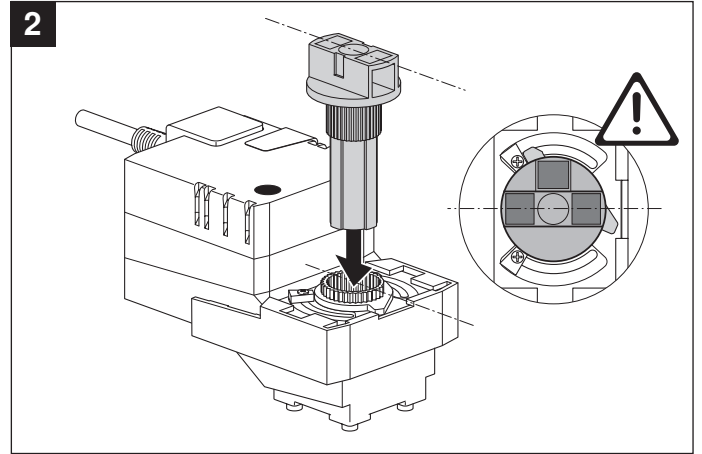
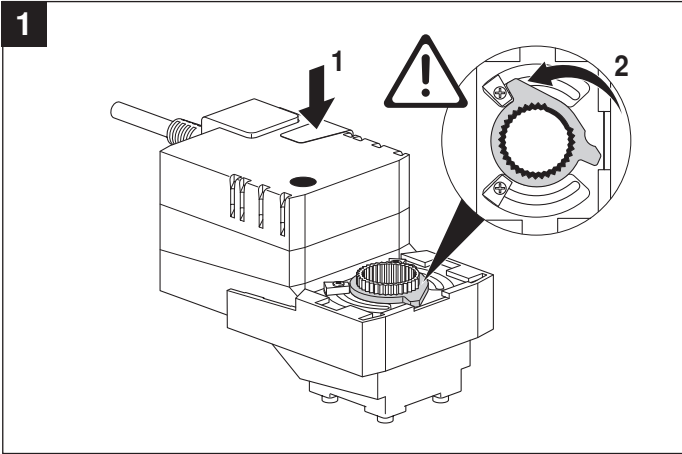
Dimensional drawings

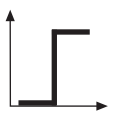
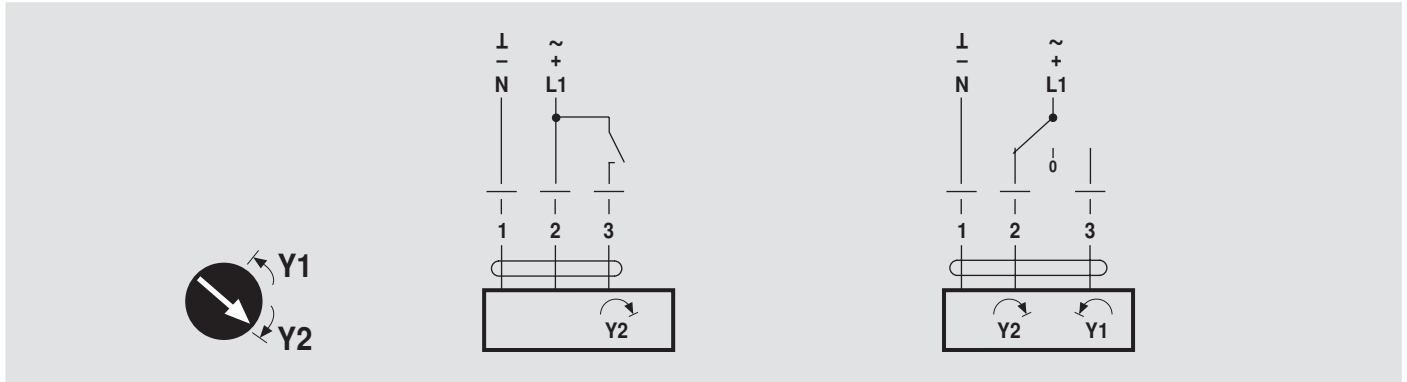


Further documentations

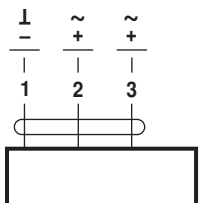
- Complete overview «The complete range of water solutions»
- Data sheets for control ball valves
- Installation instructions for actuators and/or control ball valves
- Notes for project planning (hydraulic characteristic curves and circuits, installation regulations, commissioning, maintenance etc.)

70741-00001.C

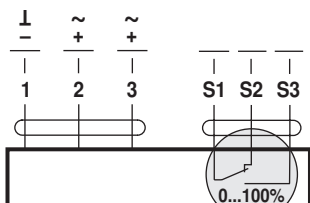




AC 24 V / DC 24 V

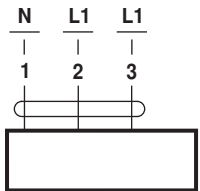


LR24A NR24A
SR24A

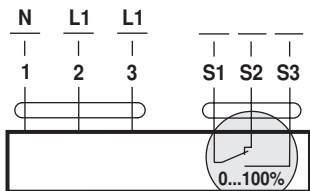


LR24A-S NR24A-S
SR24A-S

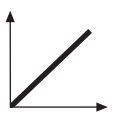
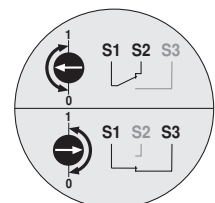
AC 100 ... 240 V ⚠



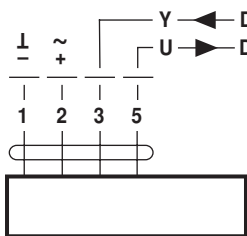
LR230A NR230A
SR230A



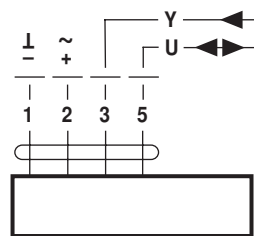
LR230A-S NR230A-S
SR230A-S



AC 24 V / DC 24 V



TRC24A-SR LR24A-MF
LR(C)24A-SR NR24A-MF
NR(C)24A-SR SR24A-MF
SR24A-SR



LR24A-MP NR24A-MP
SR24A-MP

LONWORKS[®] AC 24 V / DC 24 V

