

Modulating linear actuator for  
2-way and 3-way globe valves

- Actuating force 1600 N
- Nominal voltage AC/DC 24 V
- Modulating control DC 0 ... 10 V
- Position feedback DC 2 ... 10 V
- NVG24-MFT with cable connection
- NVG24-MFT-T with terminal connection
- Brackets and adapter sets for third-party valves as accessories (UNV-..)



### Technical data

<b>Electrical data</b>	Nominal voltage	AC 24 V, 50/60 Hz / DC 24 V	
	Nominal voltage range	AC 19.2 ... 28.8 V / DC 21.6 ... 28.8 V	
	Power consumption	3 W @ nominal force	
	Operation	5 VA	
	For wire sizing	5 VA	
	Connection NVG24-MFT	Cable 1 m, 5 x 0.75 mm <sup>2</sup>	
	NVG24-MFT-T	Terminal connection	
	Parallel operation	Yes (note performance data for supply!)	
	<b>Functional data</b>	Actuating force	1600 N
		Control	Control signal Y
Operating range		DC 0 ... 10 V, input impedance 100 kΩ	
Position feedback (measuring voltage U)		DC 2 ... 10 V, max. 0.5 mA	
Position accuracy		±5%	
Manual override		With hexagon socket screw key, temporary	
Nominal stroke		20 mm	
Running time		150 s	
Sound power level		≤35 dB (A)	
Position indication		mechanical 5 ... 20 mm stroke	
<b>Safety</b>		Protection class	III Safety extra-low voltage
	Degree of protection	IP54	
	EMC	CE according to 2004/108/EC	
	Software Class	A (EN 60730-1)	
	Mode of operation	Type 1 (EN 60730-1)	
	Rated impulse voltage	0.33 kV (EN 60730-1)	
	Control pollution degree	3 (EN 60730-1)	
	Ambient temperature	0 ... +50 °C	
	Non-operating temperature	-40 ... +80 °C	
	Ambient humidity	95% r.h., non-condensating (EN 60730-1)	
	Maintenance	Maintenance-free	
<b>Dimensions / Weight</b>	Dimensions	See «Dimensions» on page 5	
	Weight	approx. 1.5 kg with bracket UNV-002 (without valve)	

### Safety notes



- The actuator has been designed for use in stationary heating, ventilation and air conditioning systems and is not allowed to be used outside the specified field of application, especially in aircraft or in any other airborne means of transport.
- It may only be installed by suitably trained personnel. Any legal regulations or regulations issued by authorities must be observed during assembly.
- The device does not contain any parts that can be replaced or repaired by the user.
- The device contains electrical and electronic components and is not allowed to be disposed of as household refuse. All locally valid regulations and requirements must be observed.

Product features

<b>Mode of operation</b>	The actuator is activated with a standard modulating signal DC 0 ... 10 V.
<b>Parameterisation</b>	Control signal, operating range, feedback, running time and other functions can be adjusted with PC-Tool.
<b>Installation on Belimo valves</b>	<p>If a combination of actuator and BELIMO globe valve is ordered, then one <b>UNV-002</b> bracket is included in the scope of delivery.</p> <p>If an actuator is ordered without Belimo globe valve, then the <b>UNV-002</b> bracket (see «Accessories») must also be ordered.</p>
<b>Installation on third-party valves</b>	<p>Prior to installation on a third-party valve, a suitable bracket <b>UNV-..</b> (see «Accessories») must first be screwed to the actuator. The adapter set integrated therein is comprised of a valve neck adapter and a valve stem adapter. The valve neck adapter, together with the clamping strap on the bracket, makes possible simple attachment on the neck of the valve. The valve stem adapter is mounted on the valve stem. The linear spindle can be coupled semi-automatically to the valve stem with the valve stem coupling.</p> <p>The actuator can be rotated by 360° ↺ on the valve neck.</p>
<b>Manual override</b>	The stroke can be adjusted in a voltage-free state by using a hexagon socket screw key (5 mm), which is plugged into the actuator at the top. If the hexagon socket screw key is turned in a clockwise direction, then the actuator spindle will extend from the actuator housing (pushing) and maintain the position until a nominal voltage is applied (the controller has first priority).
<b>Functional reliability</b>	The actuator is protected against short circuits, polarity reversal and overloading.
<b>Position indication</b>	The stroke is indicated mechanically on the bracket. The stroke range adjusts itself automatically.
<b>Combination valve/actuator</b>	Refer to the valve documentation for suitable valves, their permitted media temperatures and closing pressures.

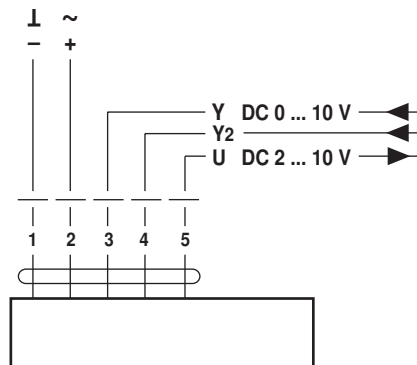
Accessories

	Description
<b>Mechanical accessories</b>	Brackets and adapter sets UNV-.. <span style="float: right;">see <a href="http://www.belimo.eu/retrofit">www.belimo.eu/retrofit</a></span>

Electrical installation

Wiring diagram

- Notes**
- Connect via safety isolation transformer.
  - Parallel connection of other actuators possible. Note performance data for supply.



- Cable colours:**
- 1 = black
  - 2 = red
  - 3 = white
  - 4 = white
  - 5 = white

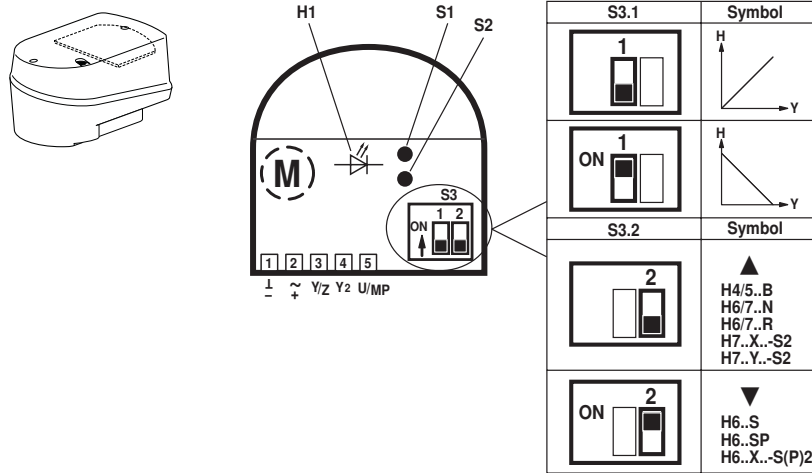
**Functions**

**Alignment of the operating elements**

The terminals for the cable connection, the operating elements S1, S2, S3 and the H1 LED indicator are located under the cover of the actuator.

By setting slide switch S3 or pressing pushbuttons S1 and S2, it is possible to configure the actuator very simply on site to suit actual requirements.

- S3.1 Direction of stroke
- S3.2 Valve closing point



**Functional description**

Function	Description	Switch		
Test	The valve effects full stroke with maximum running time and checks the adapted stroke to determine whether the two end-points (H=0% and H=100%) are reached.	Press S1		
Init (Adaption)	The possible stroke effected (between the two mechanical end stops of the valve) is detected a 100% stroke and stored in the microcontroller. The control signal and the running time are then matched to this 100% stroke.	Press S2		
Direction of stroke	Direction of stroke relative to the control signal	S3.1	<b>Symbol</b>	<b>Consequence</b>
direct <sup>1)</sup>	0% control signal corresponds to 0% position feedback. (The actuator spindle is retracted or extended according to the selected closing point.)	OFF		
inverted	0% control signal corresponds to 100% position feedback. (The actuator spindle is extended or retracted according to the selected closing point.)	ON		
Valve closing point	Closing point with actuator spindle retracted or extended.	S3.2	<b>Symbol</b>	<b>Consequence</b>
up <sup>2)</sup>	The actuator spindle is retracted into the actuator and the valve stem is extended from the fitting. The position feedback indicates 0% if the stroke direction is «direct».	OFF	▲	
down <sup>3)</sup>	The actuator spindle is extended from the actuator and the valve stem is retracted into the fitting. The position feedback indicates 0% if the stroke direction is «direct».	ON	▼	

<sup>1)</sup> Factory setting  
<sup>2)</sup> Standard setting for valves H4..B, H5..B, H6..N, H6..R, H7..N, H7..R, H7..X..S2 and H7..Y..S2  
<sup>3)</sup> Standard setting for valves H6..S, H6..SP and H6..X..S(P)2

**LED display H1**

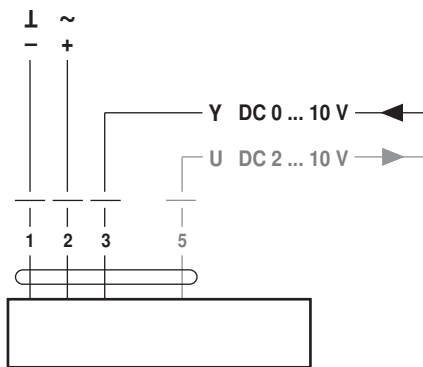
The LED display is two-coloured (red/green) and shows the current status of the actuator.

Green steady light	Actuator working properly	
Green flashing light	Test run or adaptation with synchronisation in progress	
Red steady light	A fault is present	Possible causes of malfunctions: – Actuator installed incorrectly – Valve stem blocked – No valve installed The adaptation must be repeated by pressing pushbutton S2 after the malfunction has been eliminated.
Red flashing light	After every voltage interruption (>2 s). The valve is automatically synchronized at the selected closing point the next time it closes, and the LED indicator changes from a red flashing light to a green steady light.	
Alternating red/green flashing light	Addressing via the control system and operation of the adaptation pushbutton S2 in progress	

Functions

(Continued)

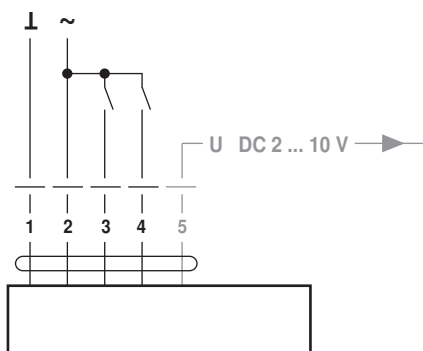
Modulating control



Symbols										Actuator spindle moves	
Direction of stroke	Closing point Valve	Signal direct	Signal inverted	Closing point up	Closing point down	Control signal min. (e.g. Y = 2 V)	Control signal max. (e.g. Y = 10 V)	Measuring signal min. (e.g. U = 2 V)	Measuring signal max. (e.g. U = 10 V)		
										S3.1	S3.2
	▲	OFF		OFF		X	X	X		ON	OFF
	▼	OFF			ON	X	X	X		ON	OFF
	▲		ON <sup>1)</sup>	OFF		X	X	X		ON	OFF
	▼		ON <sup>1)</sup>		ON	X	X	X		ON	OFF

<sup>1)</sup> If the controller generates a negative signal (<0.15 V), slide switch S3.1 must not be set to «ON», if the operating range of the actuator is set to 2 ... 10 V (Exception: start point in the parameterized operating range of 0.5 V).

3-point control



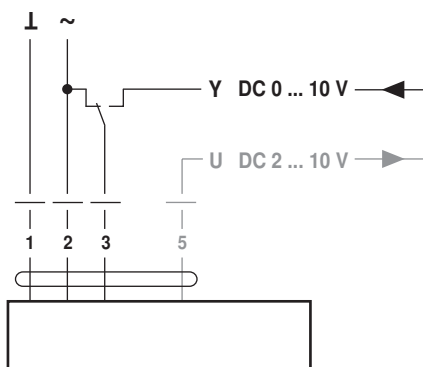
**Note**  
Only works with a nominal voltage of AC 24 V !

The linear actuator must be accordingly parameterized and equipped with a 3-wire connector for 4-point applications.

Symbols										Actuator spindle moves	
Direction of stroke	Closing point Valve	Signal direct	Signal inverted	Closing point up	Closing point down	Relay contact (Y1)	Relay contact (Y2)	Measuring signal min. (e.g. U = 2 V)	Measuring signal max. (e.g. U = 10 V)		
										S3.1	S3.2
	▲	OFF		OFF		1	0	X <sup>2)</sup>		stops	stops
	▼	OFF			ON	0	1	X <sup>2)</sup>		ON	OFF
	▲		ON	OFF		1	0	X <sup>2)</sup>		ON	OFF
	▼		ON		ON	0	1	X <sup>2)</sup>		ON	OFF

<sup>1)</sup> Measuring signal U according to position  
<sup>2)</sup> If relay contact a or b is in switch position 1 for longer than the running time (150 s)

Override control 100%

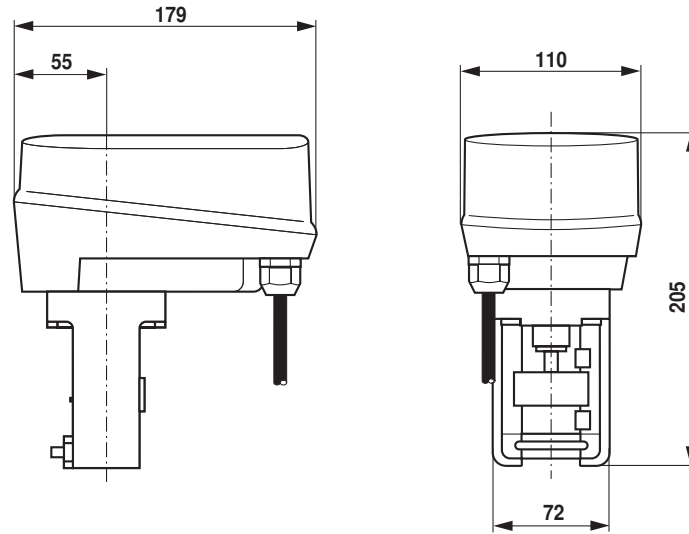


A typical use for 100% override control is in a frost protection circuit. Whether or not the frost thermostat has to interrupt the signal conductor to the controller «d» depends on the make of controller being used (not necessary, if the signal output at the controller is short circuit proof and protected against polarity reversal).

Symbols										Actuator spindle moves	
Direction of stroke	Closing point Valve	Signal direct	Signal inverted	Closing point up	Closing point down	Control signal min. (e.g. Y = 2 V)	Control signal max. (e.g. Y = 10 V)	Measuring signal min. (e.g. U = 2 V)	Measuring signal max. (e.g. U = 10 V)		
										S3.1	S3.2
	▲	OFF		OFF		1	0		X		OFF
	▼	OFF			ON	1	0	X	X		ON
	▲		ON	OFF		1	0	X			OFF
	▼		ON		ON	1	0	X			OFF

## Dimensions [mm]

Dimensional drawings

**Further documentation**

- Overview of brackets and adapter sets on [www.belimo.eu/retrofit](http://www.belimo.eu/retrofit)
- Complete overview «The complete product range of water solutions»
- Data sheets for globe valves
- Installation instructions for actuators and/or globe valves, respectively
- Notes for project planning (hydraulic characteristic curves and circuits, installation regulations, commissioning, maintenance, etc.)
- Specification texts

**BELIMO**

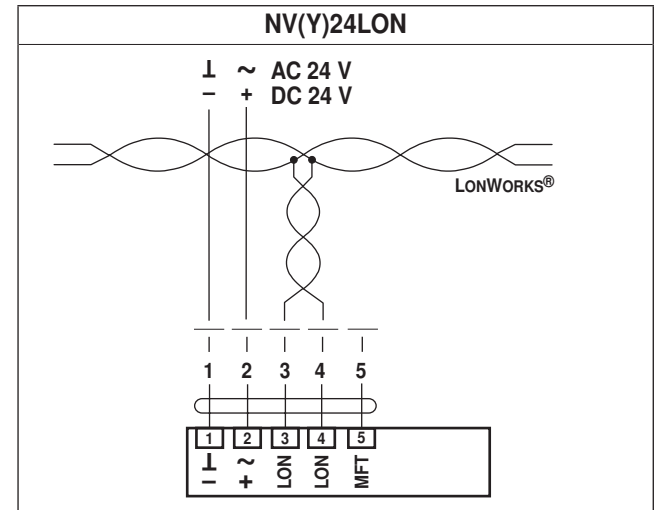
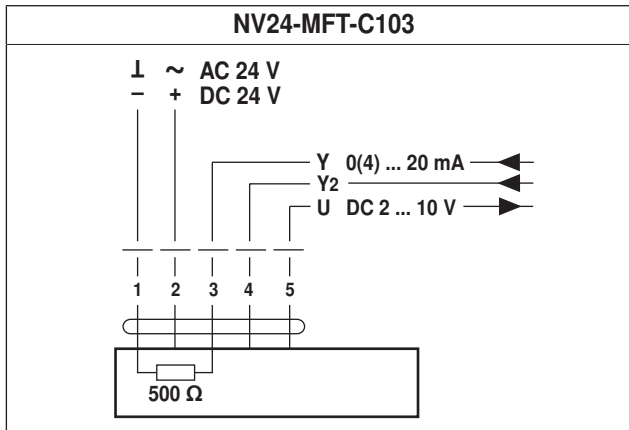
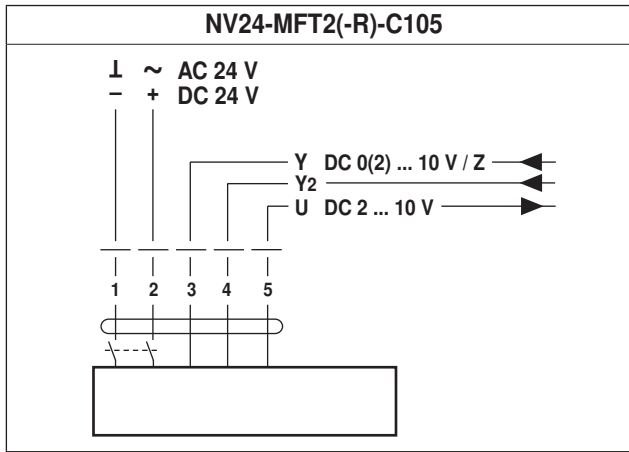
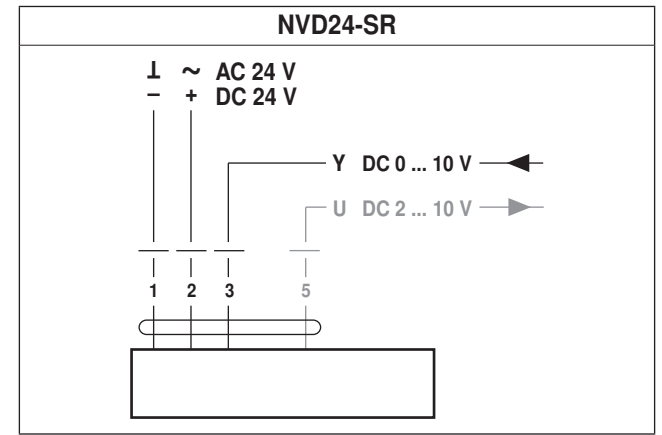
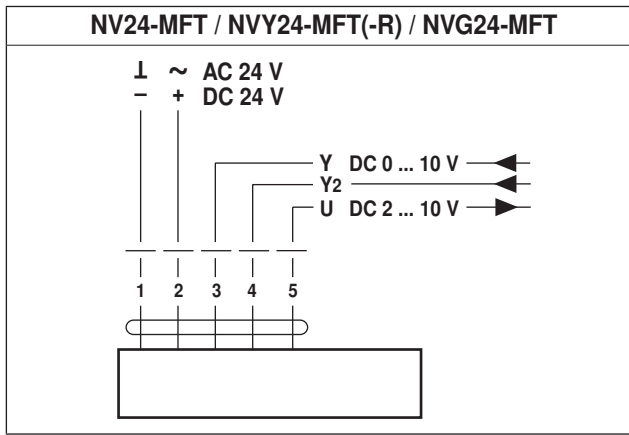


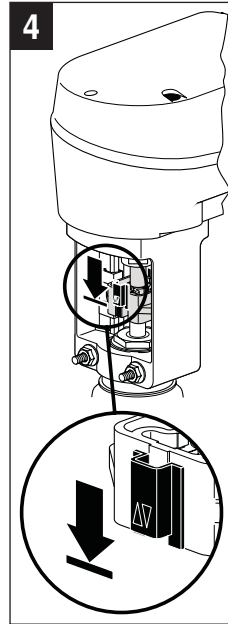
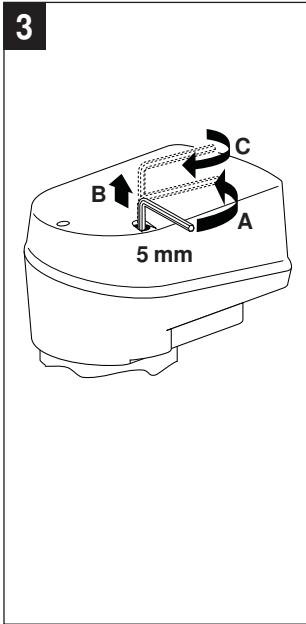
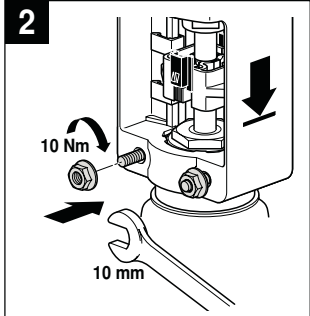
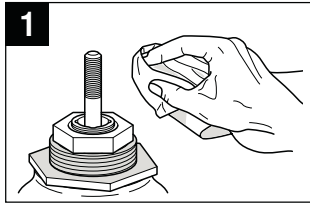
NV(Y)(G)24-MFT(2)  
 NV24-MFT-C103  
 NV24-MFT2-C105  
 NV(Y)(G)24LON  
 NVD24-SR



NVY24-MFT-R(-C105)

70607-00001.1

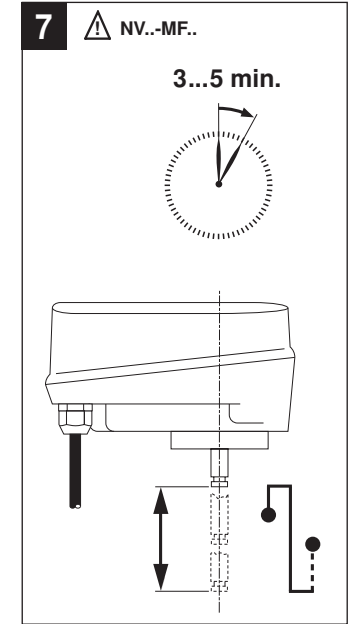




**5**

S3.1	Symbol
S3.2	Symbol
	▲ H4/5..B H6/7..N H6/7..R H7..X..S2 H7..Y..S2
	▼ H6..S H6..SP H6..X..S(P)2

⚠



0...50°C

< 30 mm

H6..S / H6..SP max. 150°C  
 H4..B / H5..B max. 120°C  
 H6..N / H7..N max. 120°C  
 H6..R / H7..R max. 120°C  
 H6..X..S2 max. 150°C  
 H7..X..S2 max. 200°C\*  
 H7..Y..S2 max. 200°C\*

