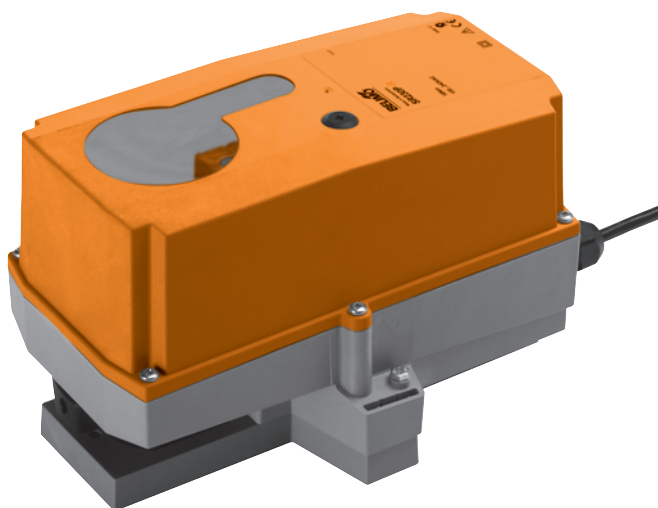


Robustline rotary actuator for 2 and 3 way ball valves

- Torque 18 Nm
- Nominal voltage AC 100 ... 240 V
- Control: Open-close or 3-point

Optimum protection against

- Corrosion and chemical influences
- UV radiation
- Damp and condensation
- Low temperatures (for use in ambient temperatures up to  $-40^{\circ}\text{C}$ , there is a separate actuator available with built-in heater ex works)



### Technical data

<b>Electrical data</b>	Nominal voltage	AC 100 ... 240 V, 50/60 Hz	
	Nominal voltage range	AC 85 ... 265 V	
	Power consumption	In operation	2.5 W @ nominal torque
		At rest	0.4 W
	For wire sizing	6 VA	
	Connection	Halogen-free cable 1 m, 3 x 0.75 mm <sup>2</sup>	
	Parallel connection	Possible, note the performance data	
<b>Functional data</b>	Torque (nominal torque)	Min. 18 Nm @ nominal voltage	
	Manual override	Gearing latch disengaged with pushbutton, can be locked	
	Running time	90 s / 90° ↯	
	Sound power level	Max. 45 dB (A) (without ball valve)	
	Position indication	Mechanical, pluggable	
<b>Safety</b>	Protection class	II Totally insulated <input type="checkbox"/>	
	Degree of protection	IP66 + IP67	
	EMC	CE according to 2004/108/EC	
	Low-voltage directive	CE according to 2006/95/EC	
	Mode of operation	Type 1 (EN 60730-1)	
	Rated impulse voltage	2.5 kV (EN 60730-1)	
	Control pollution degree	4 (EN 60730-1)	
	Ambient temperature	$-30 \dots +50^{\circ}\text{C}$ (actuator with built-in heater $-40 \dots +50^{\circ}\text{C}$ )	
	Non-operating temperature	$-40 \dots +50^{\circ}\text{C}$	
	Ambient humidity	100% r.H.	
Maintenance	Maintenance-free		
<b>Dimensions / Weight</b>	Dimensions	See «Dimensions» on page 3	
	Weight	Approx. 1.55 kg	

### Safety notes



- The actuator has been designed for use in stationary heating, ventilation and air conditioning systems and is not allowed to be used outside the specified field of application, especially in aircraft or in any other airborne means of transport.
- **Caution: Power supply voltage!**
- It may only be installed by suitably trained personnel. Any legal regulations or regulations issued by authorities must be observed during assembly.
- The switch for changing the direction of rotation may only be operated by authorised personnel. The direction of rotation must not be reversed in a frost protection circuit.
- The cover of the protective housing may be opened for adjustment and servicing. When it is closed afterwards, the housing must seal tight.
- The device on the inside may only be opened up in the factory. It does not contain any parts that can be replaced or repaired by the user.
- The cable must not be removed from the device.
- The device contains electrical and electronic components and is not allowed to be disposed of as household refuse. All locally valid regulations and requirements must be observed.

## Safety notes

*(continued)*

- The information on chemical resistance refers to laboratory tests with raw materials and finished products and to trials in the field in the areas of application indicated.
- The materials used may be subjected to external influences (temperature, pressure, constructional fixture, effect of chemical substances etc.), that cannot be simulated in laboratory test or field trials.
- The information regarding areas of application and resistance can therefore only serve as a guideline. In case of doubt, we recommend that you definitely carry out a test. This information does not imply any legal entitlement. Belimo will not be held liable and will provide no warranty. The chemical or mechanical resistance of the materials used is not alone sufficient for judging the suitability of a product. Regulations pertaining to combustible liquids such as solvents etc. must be taken into account with special reference to explosion protection.

## Product features

**Fields of application** The actuator is particularly suited for use in difficult conditions, e.g. in the field of:

- Wood drying
- Animal breeding
- Food processing
- Agricultural
- Swimming baths / Bathrooms
- Rooftop units
- General outdoor applications
- Low temperatures (the separately available actuator with built-in heater ex works is suitable for use up to  $-40^{\circ}\text{C}$ )
- Changing climate / frequent and strong fluctuations in temperature (Recommendation: to prevent internal condensation, use the separately available actuator with built-in heater ex works)

Resistances	Test	Test standard	Testing body
	Noxious gas tests	EN 60068-2-60	Fraunhofer Institute ICT / DE
	Salt fog spray test	EN 60068-2-52	Fraunhofer Institute ICT / DE
	Ammoniac test	DIN 50916-2	Fraunhofer Institute ICT / DE
	Climatic test	IEC 60068-2-30	Trikon Solutions AG / CH
	Disinfectants (animals)		Trikon Solutions AG / CH
	UV test (Solar radiation at ground level)	EN 60068-2-5 EN 60068-2-63	Quinel / Zug CH

Used materials	Actuator parts	Material
	Actuator housing	Polypropylene (PP)
	Cable glands / hollow shaft	Polyamide ( PA )
	Connection cable	FRNC
	Clamp / screws in general	Steel 1.4404
	Seals	EPDM
	Form-fit insert	Anodised aluminium

**Simple direct mounting** Straightforward direct mounting on the ball valve with only one screw. The assembly tool is integrated in the plug-on position indicator. The mounting position in relation to the fitting can be selected in  $90^{\circ}$  steps.

**Manual override** Manual override with push-button possible (the gear is disengaged for as long as the button is pressed or remains locked).

**Adjustable angle of rotation** Adjustable angle of rotation with mechanical end stops. Standard setting  $0 \dots 90^{\circ}$  steps. The housing cover must be removed to set the angle of rotation.

**High functional reliability** The actuator is overload-proof, requires no limit switches and automatically stops when the end stop is reached.

Accessories

	Description	Data sheet
Electrical accessories	Auxiliary switch S..A..	T2 - S..A..
	Feedback potentiometer P..A..	T2 - P..A..
	Heating 230 V with thermostat HT230 *	T2 - HT230
	Heating 230 V with humidistat HH230 *	T2 - HH230

\* only available fitted in separate actuator

Electrical installation

Wiring diagrams

Note

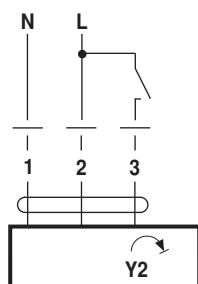
- Caution: Power supply voltage!
- Other actuators can be connected in parallel. Note performance data for supply.
- Factory default direction of rotation switch: Direction of rotation Y2



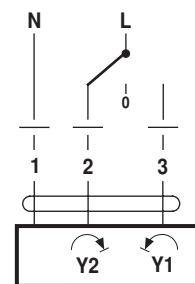
Direction of rotation



Open-close control



3-point control



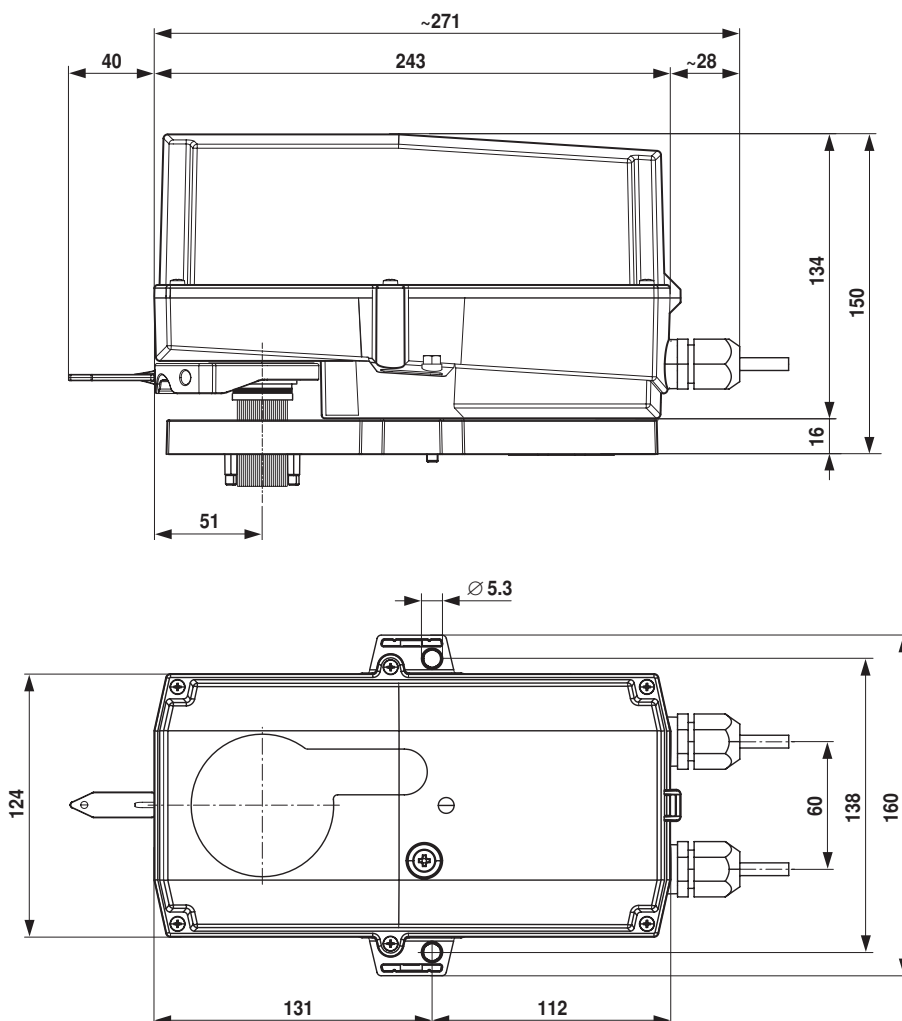
Rotary actuator	Rotary valve
Y2	A - AB = 0%

Cable colours:

- 1 = blue
- 2 = brown
- 3 = white

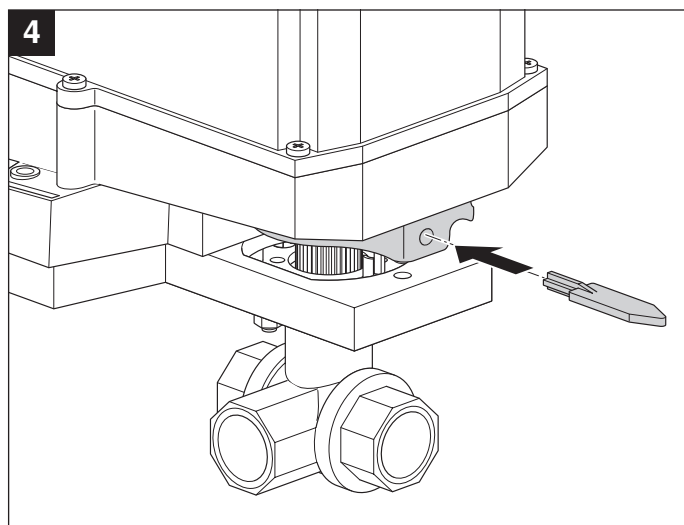
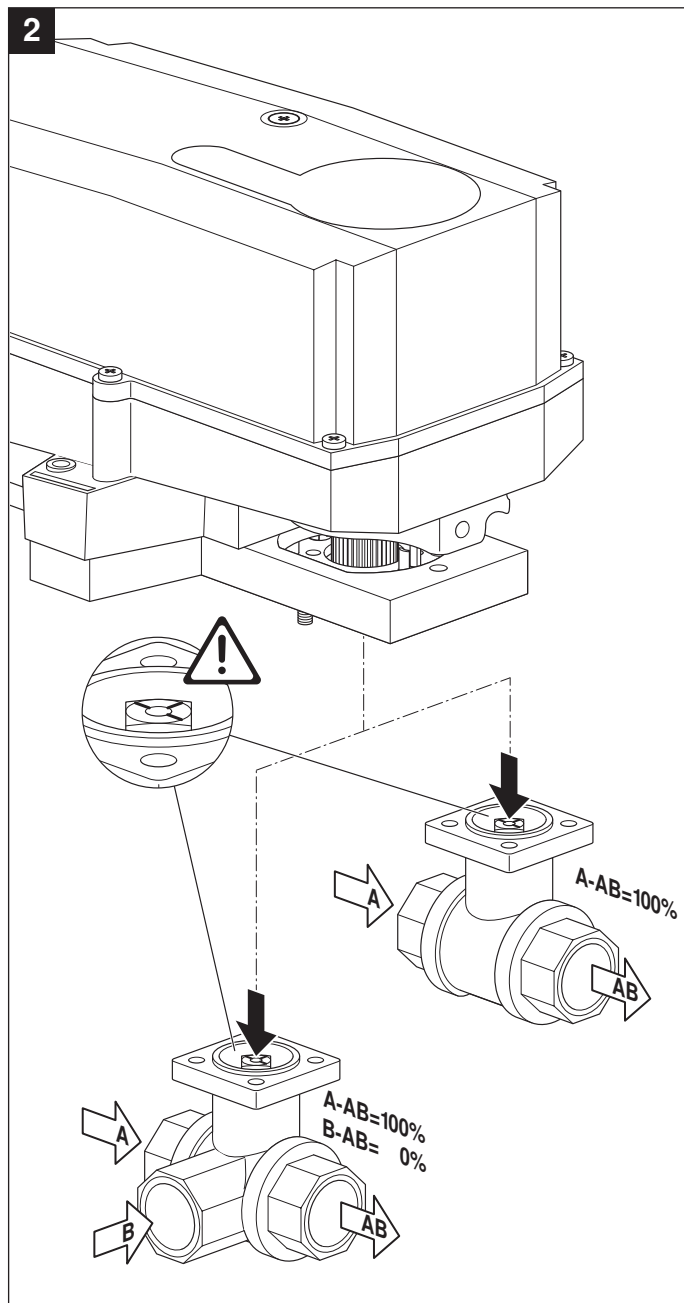
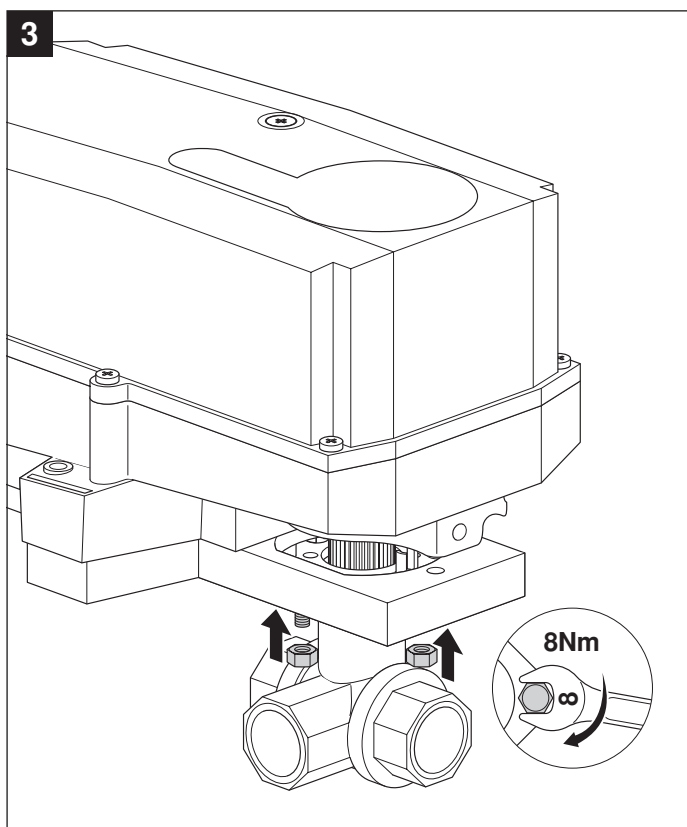
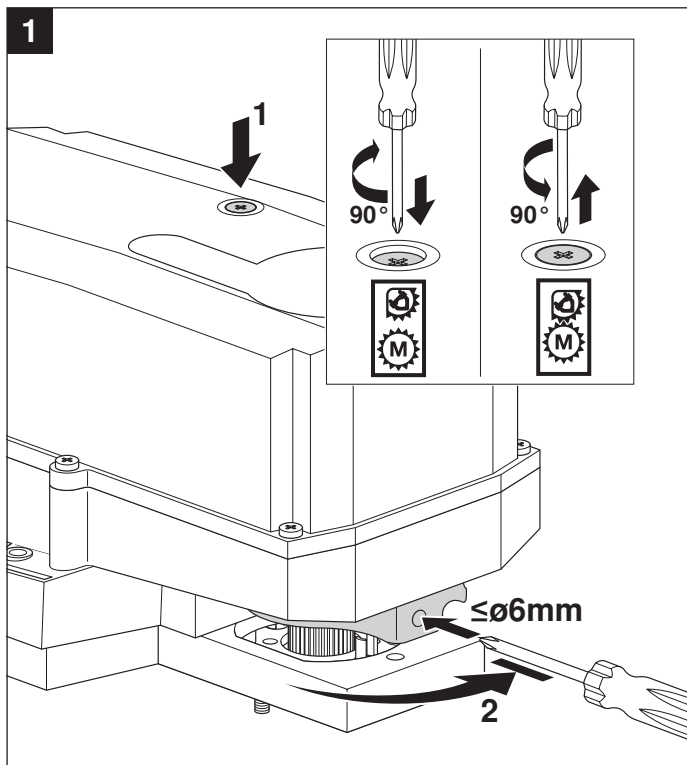
Dimensions [mm]

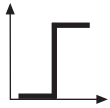
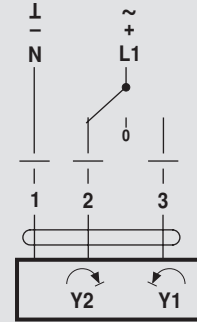
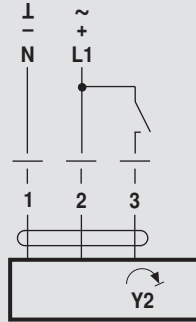
Dimensional drawings



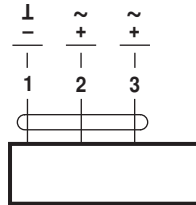
Further documentations

- Complete overview «The complete range of water solutions»
- Data sheets for ball valves
- Installation instructions for actuators resp. ball valves
- Notes for project planning (hydraulic characteristic curves and circuits, installation regulations, commissioning, maintenance etc.)



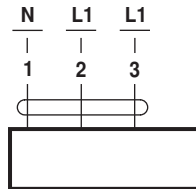


AC 24 V / DC 24 V

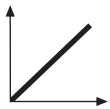


SR24P

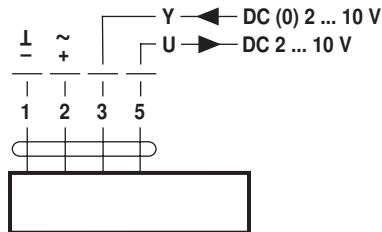
AC 100 ... 240 V



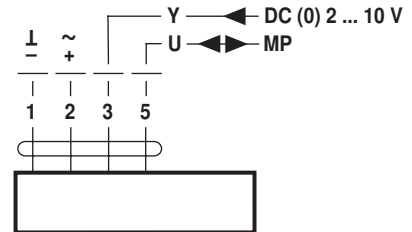
SR230P



AC 24 V / DC 24 V



SR24P-SR



SR24P-MP