

**Rotary actuators for butterfly valves**

- Torque 150 Nm
- Nominal voltage AC 24 V
- Control: Open-close or 3-point
- Auxiliary switch


**Technical data**

<b>Electrical data</b>	Nominal voltage	AC 24 V, 50/60 Hz
	Power supply range	AC 19.2 ... 28.8 V
	Power consumption	70 W at nominal torque
	Current consumption	3.0 A
	Auxiliary switch	2 x SPDT, 3 A, AC 250 V II □ Switching points: 90° ↔ adjustable
	Connection	Terminals, 2 x 1.5 mm <sup>2</sup> or 1 x 2.5 mm <sup>2</sup>
	Parallel connection	No
<b>Functional data</b>	Torque (nominal torque)	Min. 150 Nm at nominal voltage
	Manual override	Temporary with handwheel
	Angle of rotation	90° ↔ (internal electrical stops)
	Running time	22 s
	Position indication	Mechanical
	<b>Safety</b>	Protection class
Degree of protection		IP67
EMC		CE according to 89/336/EEC
Mode of operation		Typ 1 (to EN 60730-1)
Nominal current voltage		0,8 kV (to EN 60730-1)
Control pollution degree		4 (to EN 60730-1)
Ambient temperature range		-20 ... +65 °C
Media temperature		-20 ... +100 °C (in the butterfly valve)
Non-operating temperature		-30 ... +80 °C
Ambient humidity range		95% r.H., non-condensating (to EN 60730-1)
Maintenance		Maintenance-free
<b>Mechanical data</b>	Connection flange / stem	ISO 5211 / F07
	Housing material	Cast aluminium
<b>Dimensions / Weight</b>	Dimensions	See «Dimensions» on page 2
	Weight	Approx. 11 kg (without butterfly valve)

**Safety notes**


- The actuator has been designed for use in stationary heating, ventilation and air conditioning systems and is not allowed to be used outside the specified field of application, especially in aircraft or in any other airborne means of transport.
- It may only be installed by suitably trained personnel.  
All applicable legal or institutional installation regulations must be complied with.
- The device may only be opened at the manufacturer's site. It does not contain any parts that can be replaced or repaired by the user.
- Make sure that the maximum length of insulation removed does not exceed 50 mm.
- The device contains electrical and electronic components and is not allowed to be disposed of as household refuse. All locally valid regulations and requirements must be observed.

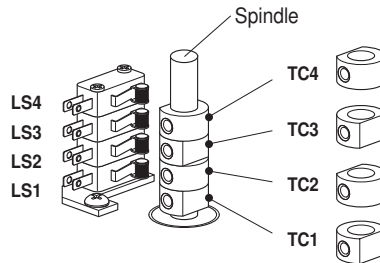


**Settings**

**Setting cam** The setting cams for limit and auxiliary switches can be accessed by removing the housing cover.  
 Optionally, auxiliary switches LS4/LS3 can be connected for signalling.  
 Limit switches LS2/LS1 interrupt the voltage to the motor and are controlled by setting cams TC..

**Important !**

Settings are only allowed to be made by authorised specialist personnel.

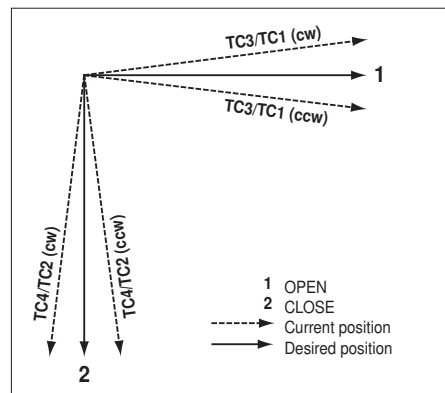


**Settings of setting cams TC..**

- TC4 for auxiliary switch position closed (factory setting 3°↺).
- TC3 for auxiliary switch position open (factory setting 87°↺).
- TC2 for limit switch closed (factory setting 0°↺).
- TC1 for limit switch open (factory setting 90°↺).

**Adjusting setting cams**

- 1 Use a 2.5 mm Allen key to unscrew the corresponding setting cams TC..
- 2 Turn the setting cam using the Allen key
- 3 Set as shown in the illustration below
- 4 Use the Allen key to tighten the setting cams

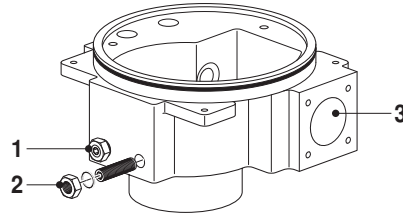


## Settings

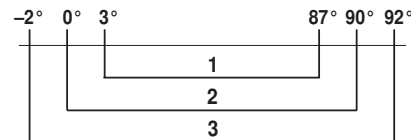
(Continued)

**Mechanical angle of rotation limitation**

The mechanical angle of rotation is set at the factory to  $92^\circ$  and cannot be changed. The handwheel turns the planetary gear unit via a worm gear. The gear unit is mechanically stopped by the two setscrews **1** and **2** ( $1\frac{1}{2}$  turns of the setscrews correspond to  $2^\circ$ ). Both limit switches LS2/LS1 are set to  $90^\circ$  and must always switch off the motor **before** the mechanical angle of rotation limitation.



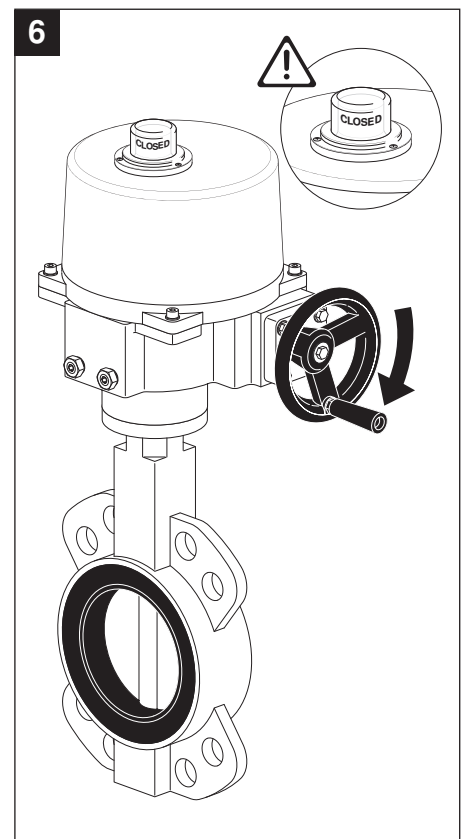
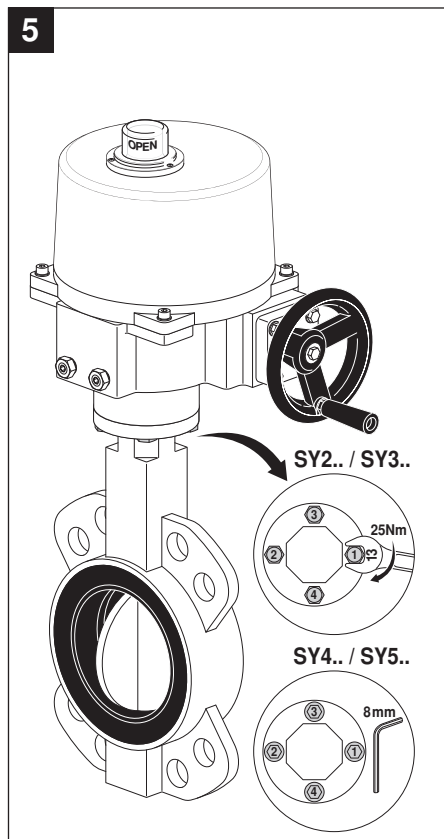
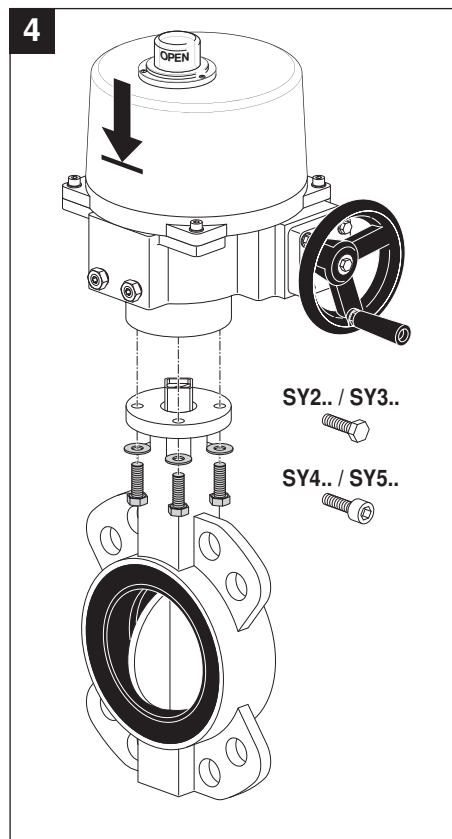
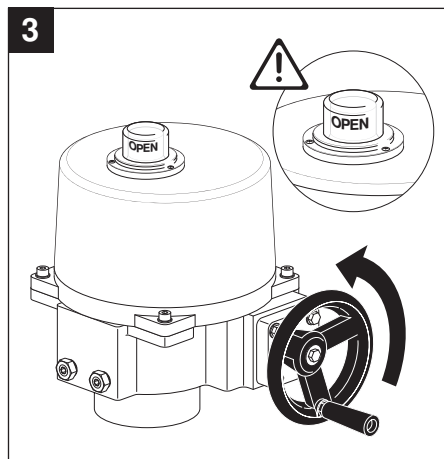
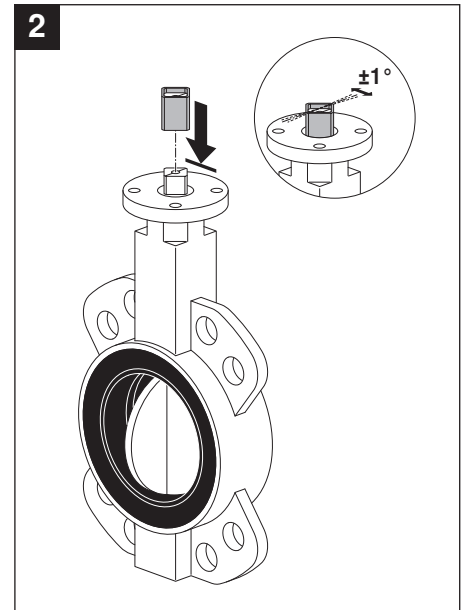
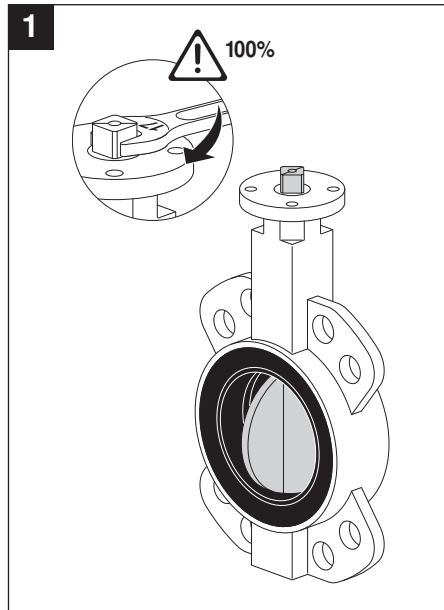
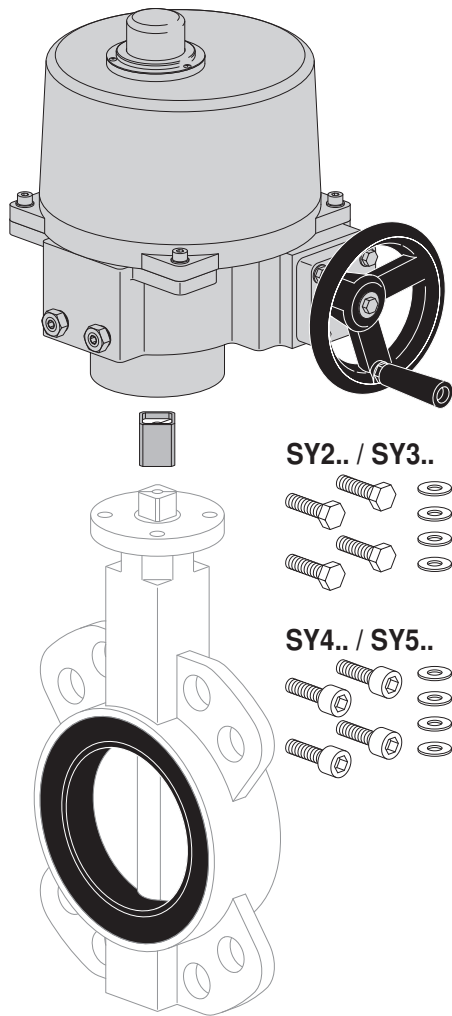
- 1 Angle of rotation limiting OPEN
- 2 Angle of rotation limiting CLOSED
- 3 Connection of handwheel for angle of rotation limiting

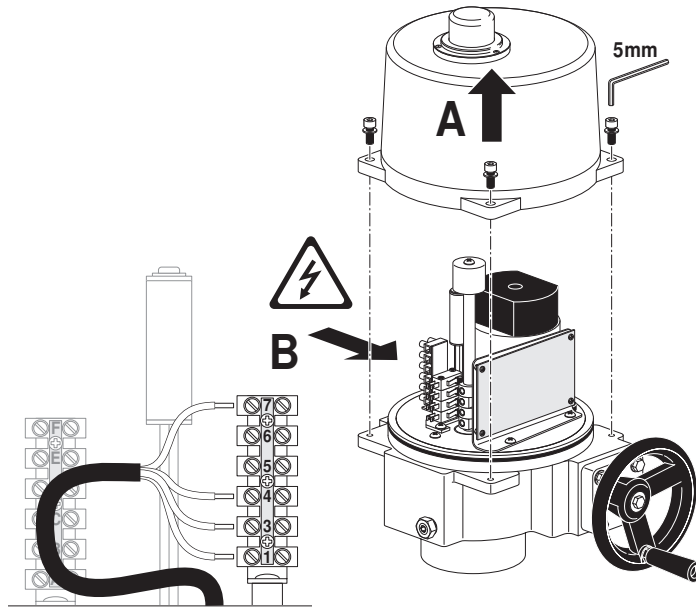
**Relationship between mechanical angle of rotation limiting, limit and auxiliary switches**

- 1 Auxiliary switch
- 2 Limit switch
- 3 Mechanical angle of rotation limitation

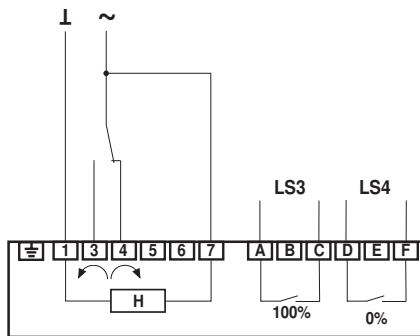
**Further documentations**

- Complete overview of actuators for water solutions
- Data sheets for butterfly valves
- Installation instructions for actuators and/or butterfly valves
- Notes for project planning (hydraulic characteristic curves and circuits, installation regulations, commissioning, maintenance etc.)





AC 24 V

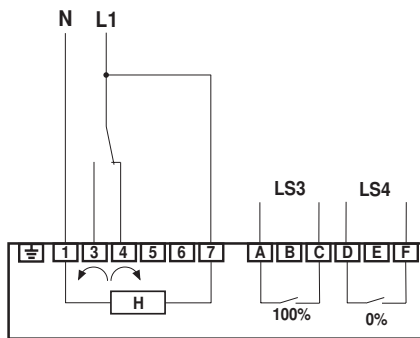


SY2-24-3-T / SY3-24-3-T  
SY4-24-3-T / SY5-24-3-T

I	~
N	L1
1 - 3	OPEN
1 - 4	CLOSED



AC 230 V



SY2-230-3-T / SY3-230-3-T  
SY4-230-3-T / SY5-230-3-T