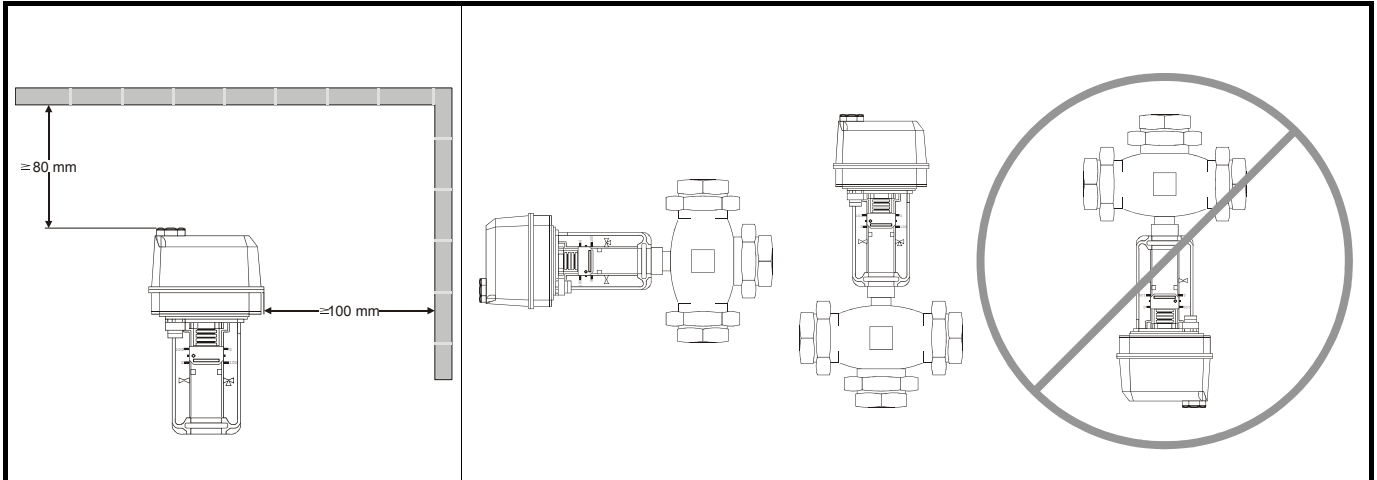


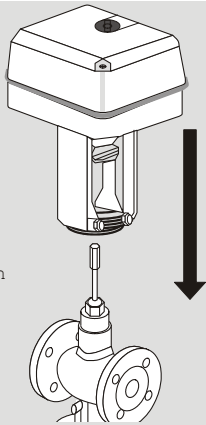
# CLLA20-10NSR6, CLLA20-24NSR6, CLLA20-230NSR6

MOUNTING INSTRUCTIONS  
MONTAGEANLEITUNG  
INSTRUCTIONS D'INSTALLATION  
DOCUMENTATIE VAN DE INSTALLATIE  
MONTAVIMO INSTRUKCIJA  
ИНСТРУКЦИЯ ПО МОНТАЖУ  
INSTRUCȚIUNI DE MONTARE  
MONTAJ ANLATIMI  
SZERELESI UTASÍTÁS  
NÁVOD K MONTÁŽI

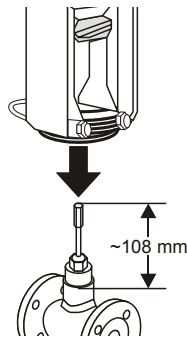


## A1-A6: Installation

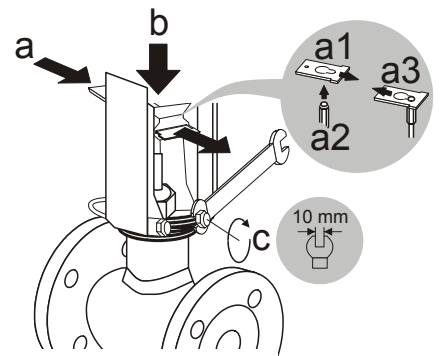
- mounting
- D Einbau
- F montage
- I montaggio
- NL montage
- DK montere
- N montering
- FIN asentaminen
- S montera
- E montaje



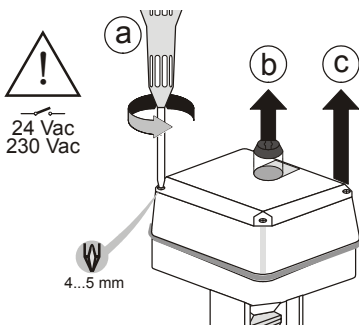
## A1



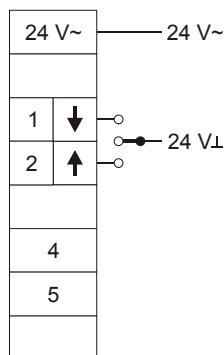
## A2



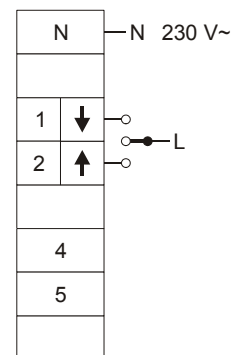
## A3



## A4a: CLLA20-24NSR6 (24 V)



## A4b: CLLA20-230NSR6 (230 V)



<p><b>A4c: CLLA20-10NSR6 (0/2...10 V)</b></p>	<p><b>A5a: CLLA20-10NSR6</b></p> <p>W3</p>	<p>W3</p>	<p><b>A5b: CLLA20-10NSR6</b></p> <p>W2</p>	<p>W2</p>
<p><b>A5c: CLLA20-10NSR6</b></p>	<p><b>A6</b></p>	<p><b>B: Manual</b></p>		
<p><b>C1-2: Dismounting</b></p> <p>dismounting</p> <p>D Ausbau F démontage I smontaggio NL demontage DK afmontere N demontere FIN purkaminen S nedmontera E desmontaje</p>	<p><b>C1</b></p>	<p><b>C2</b></p> <p>A3 → A4 → A2 → A1</p>		

Manufactured for and on behalf of the Environmental and Combustion Controls Division of Honeywell Technologies Sàrl, Ecublens, Route du Bois 37, Switzerland by its Authorized Representative:

CentraLine  
Honeywell GmbH  
Böblinger Straße 17  
D-71101 Schönaich  
Tel +49 7031 637 845  
Fax +49 7031 637 846  
[info@centraline.com](mailto:info@centraline.com)  
[www.centraline.com](http://www.centraline.com)

Printed in Hungary.  
Subject to change  
without notice.  
MU1Z-0942GE51 R1007A

