

# CLSN4T11 Air Duct Temperature Sensor

## Product Data



## GENERAL

The CLSN4T11 Air Duct Temperature Sensor is used for duct temperature measurement in ventilation and air-conditioning vents. It can be employed in the following control systems:

- PANTHER
- SERVAL
- TIGER

or other systems using NTC20k $\Omega$  temperature sensing elements.

## FEATURES

- NTC20k $\Omega$  temperature sensing element in stainless steel pipe.
- Adjustable immersion depth.
- Wide sensing range.
- High accuracy

## SPECIFICATIONS

<b>Sensor element</b>	NTC20k $\Omega$ thermistor
<b>Resistance</b>	20 k $\Omega$ at 25 °C
<b>Operating range</b>	-20...+80 °C
<b>Accuracy</b>	0.3 K at 25 °C
<b>Sensitivity</b>	$\approx -934.5 \Omega / K$ at 25 °C (non-linear)
<b>Response time</b>	$\tau_{0.5} \approx 35$ sec
<b>Dimensions (H x W x D)</b>	See Fig. 2
<b>Housing</b>	Plastic (PC), V1 as per UL 94
<b>Electrical connection</b>	terminals for 2 x 1.5 mm <sup>2</sup> cable
<b>Ambient temperature</b>	0...+50 °C
<b>Humidity</b>	5...95% r.h., non-condensing
<b>Protection standard</b>	IP 30 (in vertical orientation)

For technical information on the NTC thermistor, see EN0B-0476GE51.

## INSTALLATION

**NOTE:** Use shielded wiring in areas with high EMI. Keep 15 cm minimum distance between sensor lines and 230 Vac power lines.

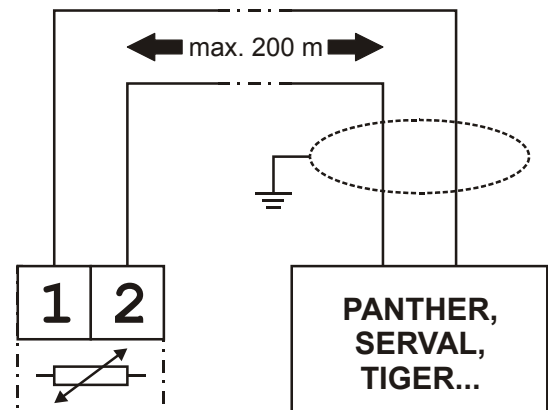


Fig. 1. Wiring

## DIMENSIONS

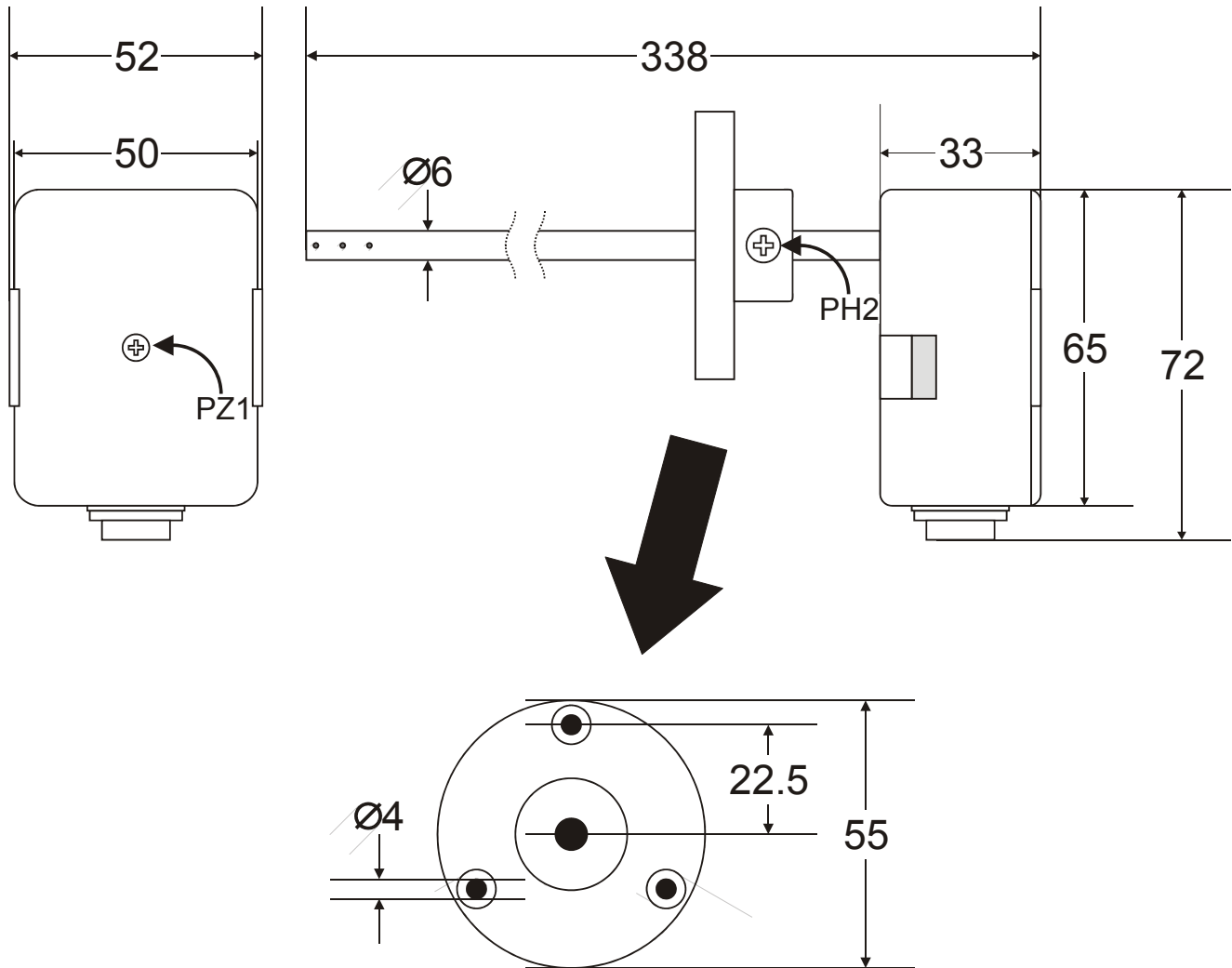


Fig. 2. Dimensions (in mm)

Manufactured for and on behalf of the Environmental and Combustion Controls Division of Honeywell Technologies Sàrl, Ecublens, Route du Bois 37, Switzerland by its Authorized Representative:

CentraLine  
 Honeywell GmbH  
 Böblinger Straße 17  
 D-71101 Schönaich  
 Tel +49 7031 637 845  
 Fax +49 7031 637 846  
[info@centraline.com](mailto:info@centraline.com)  
[www.centraline.com](http://www.centraline.com)

Printed in Germany.  
 Subject to change  
 without notice.  
 EN0Z-0918GE51 R0907

**CENTRA<sup>®</sup>**  
**LINE**  
 by Honeywell