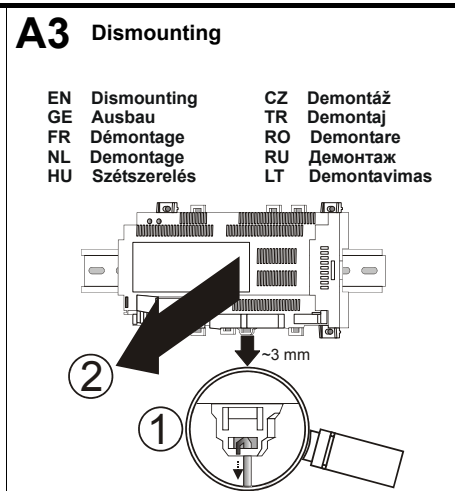
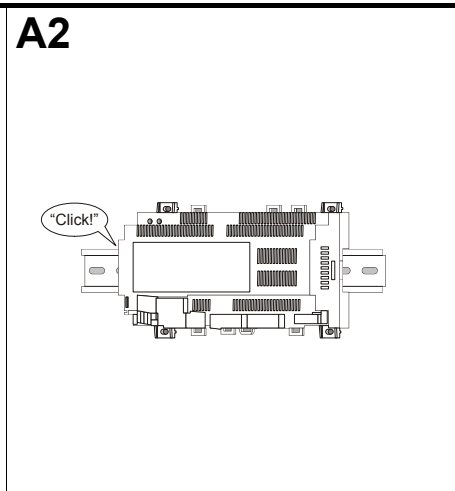
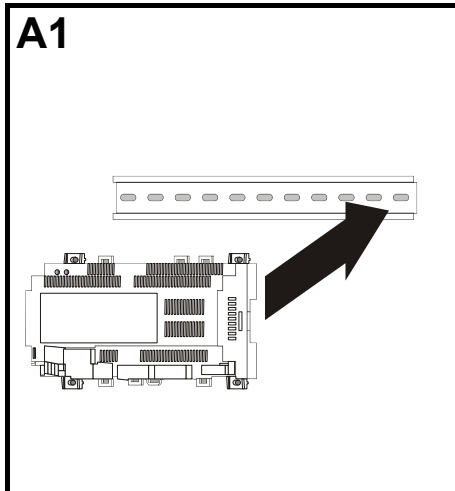
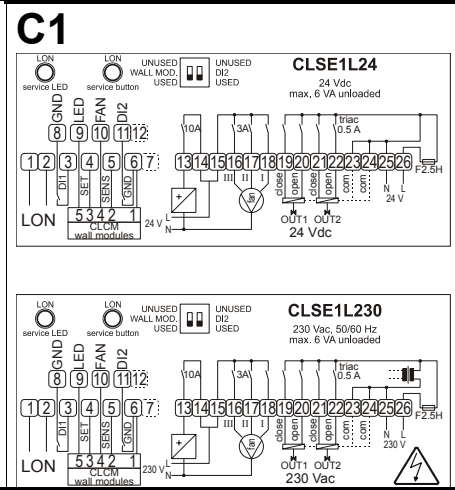
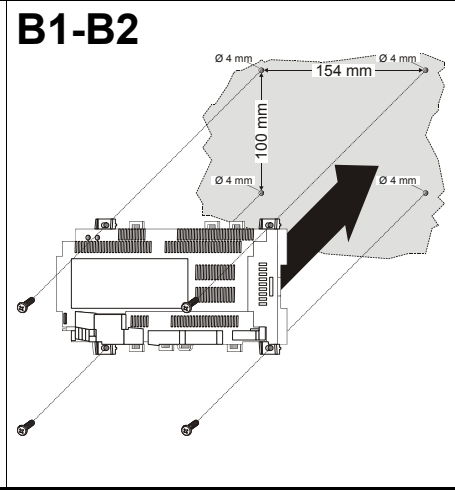
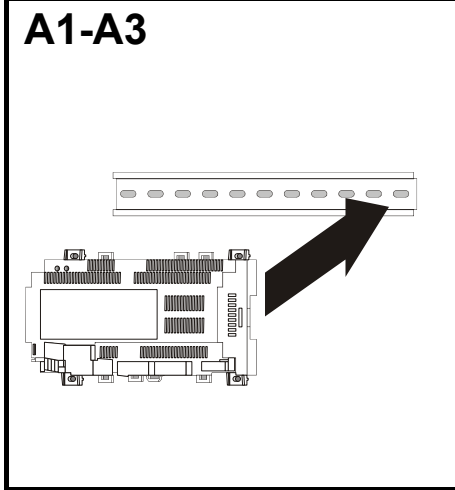
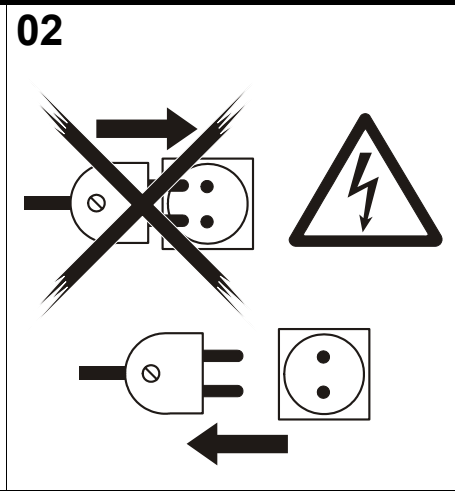
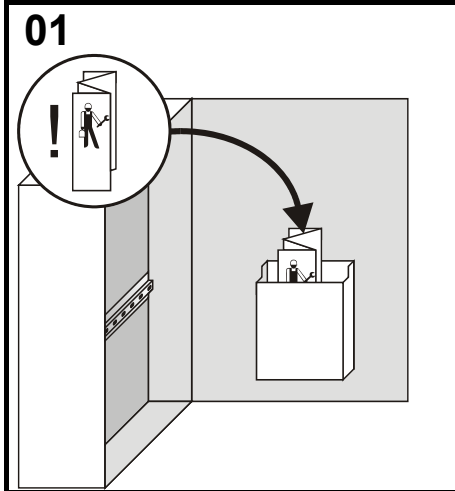
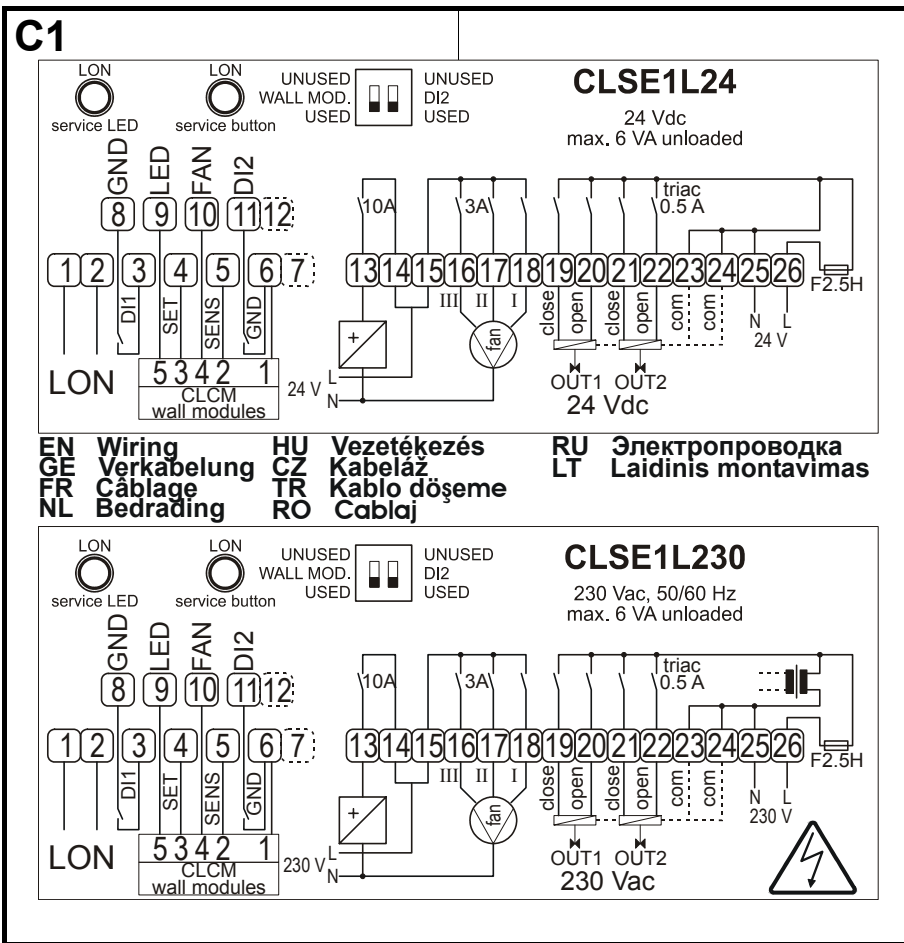
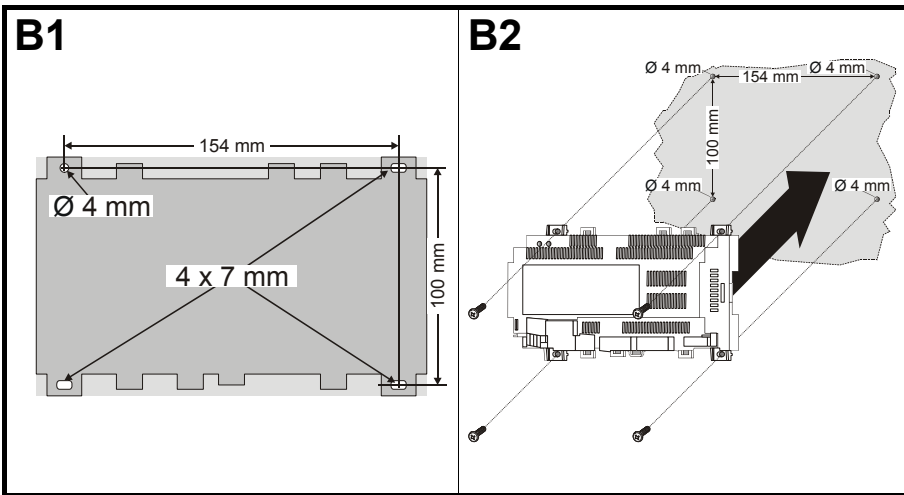


# SERVAL Controller

MOUNTING INSTRUCTIONS  
 MONTAGEANLEITUNG  
 INSTRUCTIONS D'INSTALLATION  
 DOCUMENTATIE VAN DE INSTALLATIE  
 SZERELÉSI ÚTMUTATÓ  
 NÁVODU PRO MONTÁŽ  
 MONTAJ TALIMATI  
 MANUAL DE MONTAJ  
 ИНСТРУКЦИЯ ПО МОНТАЖУ  
 MONTAVIMO VADOVAS





Manufactured for and on behalf of the Environmental and Combustion Controls Division of Honeywell Technologies Sàrl, Rolle, Z.A. La Pièce 16, Switzerland by its Authorized Representative:

CentraLine  
 Honeywell GmbH  
 Böblinger Straße 17  
 D-71101 Schönaich  
 Tel +49 7031 637 845  
 Fax +49 7031 637 846  
[info@centraline.com](mailto:info@centraline.com)  
[www.centraline.com](http://www.centraline.com)

Printed in Germany.  
 Subject to change without  
 notice.  
 MU1Z-0911GE51 R0209D

