

## Data sheet

# Thermostatic Mixing Valve TVM-H

### Description / Application

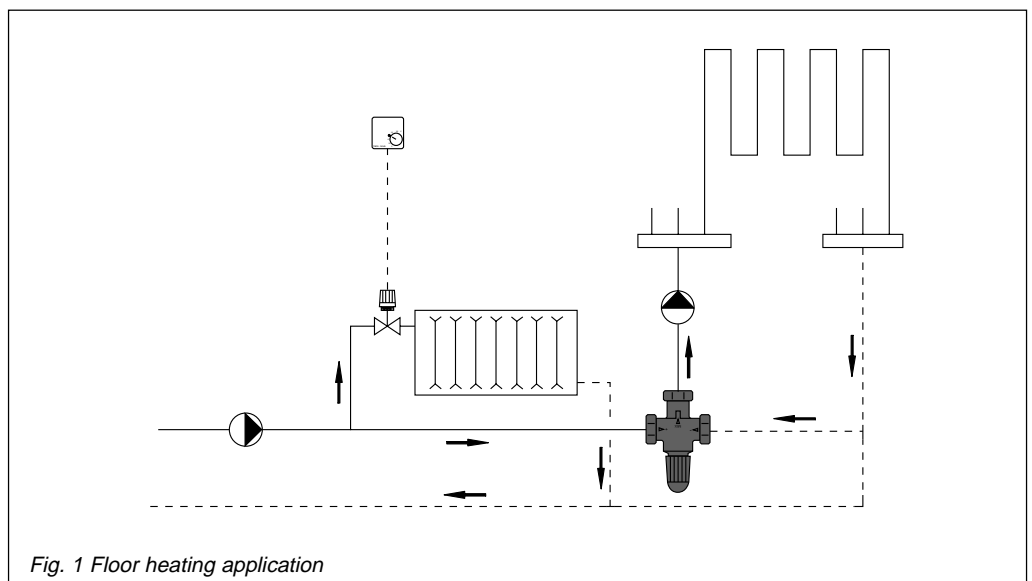


Limits and maintains constant levels of mixing temperatures in systems. The thermostatic valve ensures a constant temperature of the mixed water at the outlet.

The mixing valve can be used with different types of storage and instant water heaters for heating applications.

#### Advantages

- Constant temperature of the water at the outlet
- Variable setting of the nominal temperature range: 30 °C ... 70 °C
- Special design with anti-scalding coating
- System components: accessories and spare parts

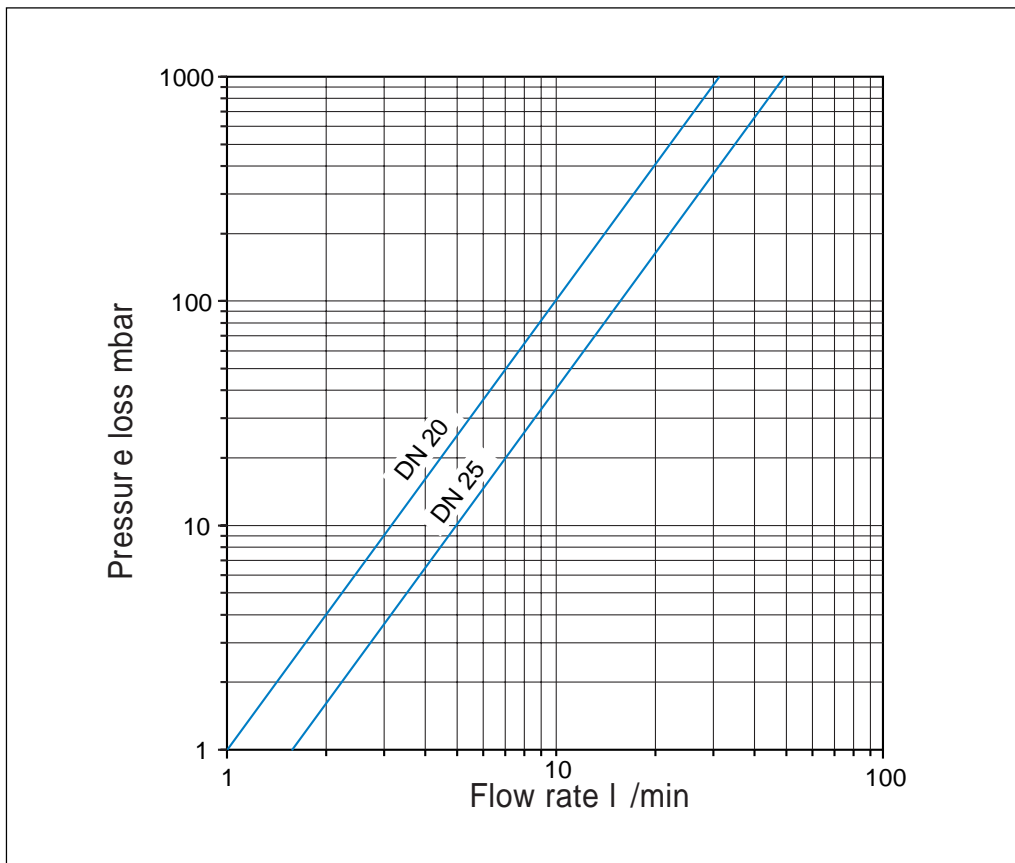


#### Standard design:

A thermostatic cartridge and a return spring ensure the constant blend temperature at the outlet. Thanks to the design of the mixing valve, the thermostatic cartridge can be easily replaced in the installed valve if the performance decreases, which occurs due to normal wear and tear.

Technical Data

Max. operating pressure	10 bar
Max. operating temp.	100 °C
Valve housing, trim	DZR + antilimescale treatment
Sealing	EPDM



Ordering

E = extracted (outlet) quantity at  $\Delta p = 1.5$  bar  
 $k_{vs} 2$  = with check valve  
 $k_{vs} 1$  = without check valve

Thermostatic mixing valve

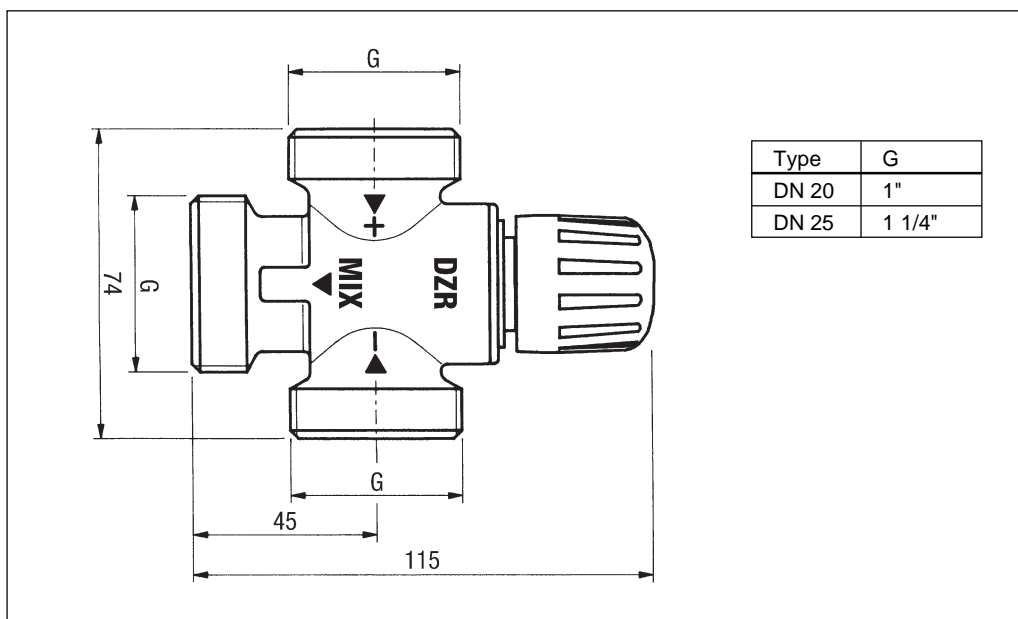
DN	G	Temperature range	E (l/min)	$k_{vs} 1$	$k_{vs} 2$	Code No.
20	1"	30 ... 70 °C	39	1.9	1.65	003Z1120
25	1 1/4"	30 ... 70 °C	61	3.0	2.6	003Z1127

To be mounted in the warm and cold water inlet.

Accessories and spare parts

	Typ	Max. pressure	Max. temperature	Code No.
	Check valve DN 20	10 bar	95 °C	003Z1130
	Check valve DN 25	10 bar	95 °C	003Z1131
	Thermostatic element			003Z1132

Dimensions



---

Danfoss can accept no responsibility for possible errors in catalogues, brochures and other printed material. Danfoss reserves the right to alter its products without notice. This also applies to products already on order provided that such alterations can be made without subsequential changes being necessary in specifications already agreed. All trademarks in this material are property of the respective companies. Danfoss and the Danfoss logotype are trademarks of Danfoss A/S. All rights reserved.

---

