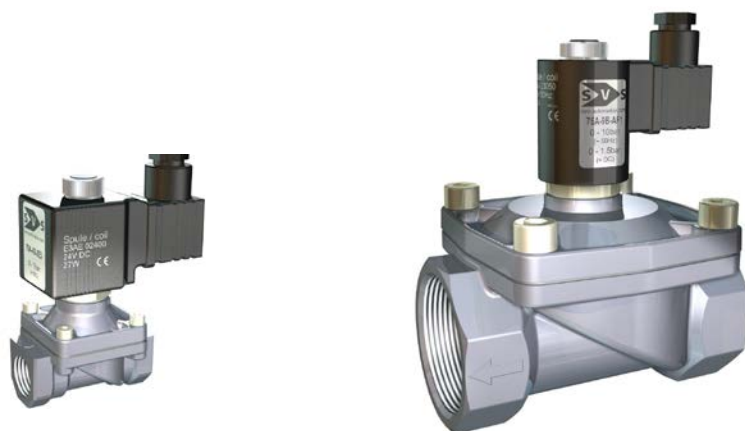
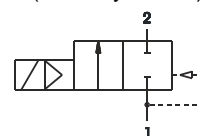


2/2 way solenoid valve normally closed or normally open

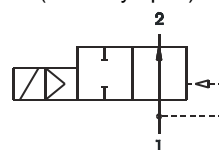
type 76, stainless steel body AISI 304
force pilot operated, DN 16-50mm, G 1/2 – G 2



function A
(normally closed)



function B
(normally open)



| SPECIFICATION | |
|------------------------------|--|
| general | |
| type of construction | 2/2-poppet valve, with diaphragm, normally closed NC or normally open, coil 360° rotatable |
| operator | solenoid |
| ports | G 1/2 – G 2 |
| ambient temperature | -5 °C to +50 °C, higher allowed ambient temperatures on request |
| fluid temperature | dependent on sealing material and coil |
| viscosity | max. 21mm ² /s (cst) or 3°E |
| material | Bod and inner parts stainless steel AISI 304 or AISI 303, sealing see type selection |
| mounting | installation into fixed piping system |
| installation | only with vertical fixed solenoid coil |
| unit of supply | without connector |
| electrical data | |
| voltage | DC voltage or AC voltage |
| standard voltage | 24V DC, 24V AC, 230V AC |
| special voltage on request | 6V-200V DC, 12V-240V, 50Hz or 60Hz |
| acceptable voltage tolerance | +/- 10% |
| power consumption | see specifications at solenoid coils |
| coil type | temperature class F (155°C), winding class H (180°C), coil E3 temperature class H |
| duty cycle | 100% ED (DB), continuous operation |
| protection class | IP65 according DIN EN 60529 (DIN 40050) with correctly mounted connector |
| pneumatic – hydraulic | |
| flow medium | all liquids and gases, which don't attack the used material |
| max. body housing pressure | PN 16 (bar) |
| response time | depending on operating pressure and fluid |
| special equipment on request | coil type with cable, coils for temperature class H (180°C), manual override |

| type 76A, normally closed | | | | | | | |
|---------------------------|---------------|-------|---|--|-------|----------------------------|---------------------------------|
| type * (order-nr.) | NW DN (mm) | ports | maximum differential pressure in bar ** | | | | |
| | | | coil E1AA ~ (50Hz) | coil E3AE ~ (50Hz) = (DC) | | coil F1AA = (DC) | kv-value (m ³ /h) |
| 76A-4-..... | 16 | G1/2 | 0 – 10 | 0 – 14 | 0 – 7 | 0 – 14 | 3,8 |
| 76A-5-..... | 20 | G3/4 | | | | | 4,7 |
| 76A-6-..... | 25 | G1 | | | | | 5,5 |

| type * (order-nr.) | NW DN (mm) | ports | maximum differential pressure in bar ** | | | |
|-----------------------|---------------|--------|--|---------|----------------------------|---------------------------------|
| | | | coil F1AA ~ (50Hz) = (DC) | | coil G1AA = (DC) | kv-value (m ³ /h) |
| 76A-7-..... | 32 | G1 1/4 | 0 – 12 | 0 – 3 | 0 – 9 | 13 |
| 76A-8-..... | 40 | G1 1/2 | 0 – 10 | 0 – 2,5 | 0 – 7 | 16,8 |
| 76A-9-..... | 50 | G2 | | 0 – 1,5 | 0 – 5 | 30,2 |

* Type designation (order-nr.) must be completed with sealing material, short circuit ring, coil and supply voltage (see order code).

** At DC voltage all pressure specifications apply to a fluid temperature up to 80 °C. At higher fluid temperatures, the maximum differential pressure will be reduced by 0,4% / °C.

| sealing material | Code | fluid temperature | applicable for | standard voltage | Code |
|------------------|----------|-------------------|--|------------------|--------------|
| NBR (Perbunan) | B | max. 80°C | neutral gases and liquids | 24V = DC | 02400 |
| EPDM | E | max. 130°C | hot water, steam, not for oil and grease | 24V ~ (50Hz) | 02450 |
| FPM | V | max. 130°C | oil, petrol, oxygen | 230V ~ (50Hz) | 23050 |

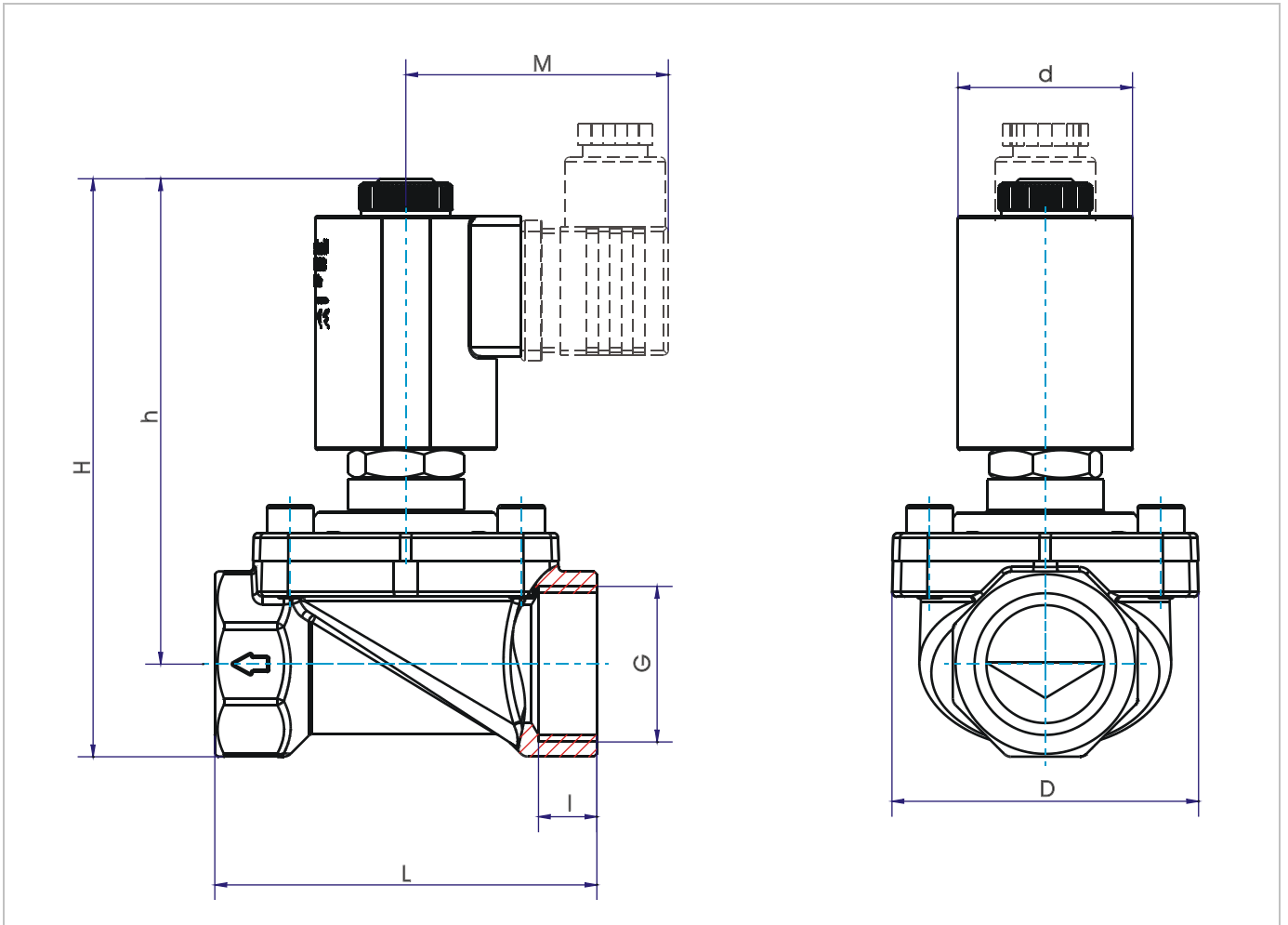
| coil power consumption at 20 °C, protection class, interface | | | | | |
|--|-----------------------------|----------------------------|---------------------|--|--|
| coil type | inrush power ~ (50Hz) VA | rated power ~ (50Hz) VA | power = (DC) (W) | protection class with/without connector | interface |
| E1AA | 32 | 14 | 12 | IP65 / IP00 | EN 175301-803, type A (DIN 43650-A) |
| E3AE | 70 | 32 | 27 | | |
| F1AA | 70 | 35 | 27 | | |
| G1AA | 80 | 40 | 32 | | |

| ORDER CODE | 76 A - 6 B - A E3AE 02400 | | | | | | |
|--------------------|---|----------|-------|---------------|--------------------|-----------|----------------|
| | type | function | ports | seal material | short circuit ring | coil type | supply voltage |
| type | type 76, force pilot operated, body stainless steel (AISI 304) | | | | | | |
| function | A = normally closed, B = normally open | | | | | | |
| ports | 4 = G 1/2, 5 = G 3/4, 6 = G 1, 7 = G1 1/4, 8 = G1 1/2, 9 = G2 | | | | | | |
| seal material | B = NBR (Perbunan), E = EPDM, V = FPM | | | | | | |
| short circuit ring | A = copper short circuit ring, X = without short circuit ring, B = silver short circuit ring, C = copper gold plated, D = copper chemical nickel-plated | | | | | | |
| coil type | see specifications of the particular coil | | | | | | |
| supply voltage | always 5-digit, see code of standard voltage | | | | | | |

| type 76B, normally open | | | | | | | |
|-------------------------|---------------|-------|--|--------|--|--------|---------------------------------|
| type * (order-nr.) | NW DN (mm) | ports | maximum differential pressure in bar ** | | | | |
| | | | coil E3AE ~ (50Hz) = (DC) | | coil F1AA ~ (50Hz) = (DC) | | kv-value (m ³ /h) |
| 76B-4-..... | 16 | G 1/2 | 0 – 14 | 0 – 14 | | | 3,8 |
| 76B-5-..... | 20 | G 3/4 | | | | | 4,7 |
| 76B-6-..... | 25 | G 1 | | | 0 – 14 | 0 – 14 | 5,5 |

| type * (order-nr.) | NW DN (MM) | ports | maximum differential pressure in bar ** | | | | |
|-----------------------|---------------|---------|--|--------|--|--|---------------------------------|
| | | | coil F1AA ~ (50Hz) = (DC) | | | | kv-value (m ³ /h) |
| 76B-7-..... | 32 | G 1 1/4 | 0 – 10 | 0 – 10 | | | 13 |
| 76B-8-..... | 40 | G 1 1/2 | | | | | 16,8 |
| 76B-9-..... | 50 | G 2 | | | | | 30,2 |

* Type designation (order-nr.) must be completed with sealing material, short circuit ring, coil and supply voltage (see order code).



Dimension table for type 76 in mm, weight approx. kg

| G | coil | type 76A- | | type 76B- | | M | d | L | I | D | weight approx. kg | |
|--------|------|-----------|-------|-----------|-------|------|----|-------|----|-----|-------------------|------|
| | | H | h | H | h | | | | | | 76A- | 76B- |
| G 1/2 | E1 | 101 | 87.5 | 118 | 105 | 52.5 | 30 | 60 | 12 | 45 | 0,45 | 0,54 |
| | E3 | | | | | 54 | 36 | | | | 0,52 | 0,61 |
| | F1 | 111 | 98 | 130 | 117 | 55 | 39 | | | | 0,60 | 0,72 |
| G 3/4 | E1 | 106 | 90 | 123.5 | 107.5 | 52.5 | 30 | 67 | 11 | 50 | 0,55 | 0,64 |
| | E3 | | | | | 54 | 36 | | | | 0,62 | 0,71 |
| | F1 | 117 | 100.5 | 136 | 119.5 | 55 | 39 | | | | 0,70 | 0,82 |
| G1 | E1 | 115 | 95 | 132 | 112 | 52.5 | 30 | 84 | 11 | 65 | 0,80 | 0,89 |
| | E3 | | | | | 54 | 36 | | | | 0,87 | 0,96 |
| | F1 | 125 | 105 | 144 | 124.5 | 55 | 39 | | | | 0,95 | 1,07 |
| G1 1/4 | F1 | 137 | 111.5 | 155.5 | 131 | 61 | 46 | 105 | 18 | 82 | 1,37 | 1,49 |
| | G1 | 149 | 124 | 169.5 | 144.5 | | | | | | 1,61 | 1,69 |
| G1 1/2 | F1 | 142.5 | 114.5 | 161.5 | 133.5 | 61 | 46 | 110 | 22 | 85 | 1,51 | 1,63 |
| | G1 | 155 | 127 | 175.5 | 147.5 | | | | | | 1,75 | 1,83 |
| G2 | F1 | 157 | 123 | 176 | 142 | 61 | 46 | 133.5 | 22 | 108 | 2,33 | 2,45 |
| | G1 | 169 | 135 | 190 | 156 | | | | | | 2,57 | 2,65 |