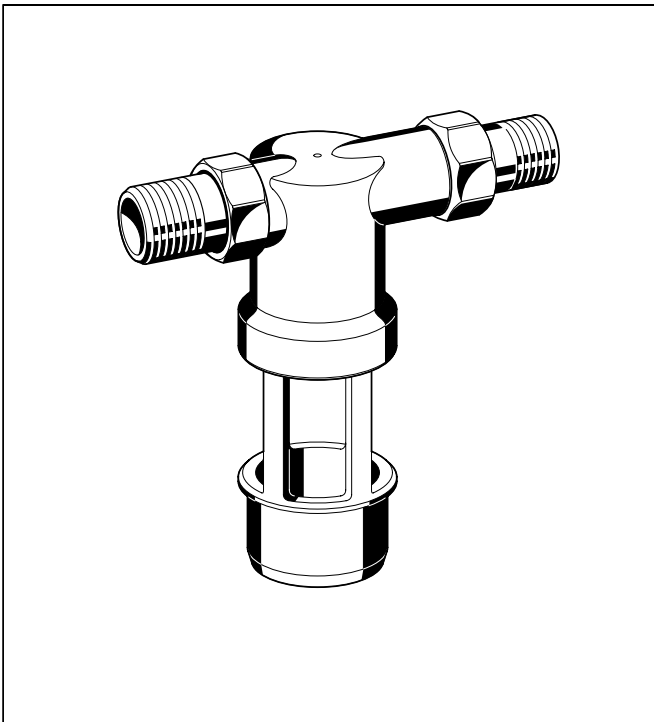


# CA295

## Backflow preventer

### Compact construction with threaded connectors

#### Product specification sheet



#### Application

CA295 backflow preventers are suitable for the protection of drinking water systems against back pressure, back flow and back syphonage. Fluids up to and including liquid category 3 to EN 1717 are protected. This corresponds to construction type 2 to EN 1717.

#### Special Features

- Integral strainer
- Compact construction
- Unrestricted access to all internal components
- Low pressure loss and high flow rate performance
- Threefold security - two non-return check valves and a discharge valve separate the backflow preventer into three chambers
- Meets KTW recommendations

#### Range of Application

Medium	Water
Inlet pressure	Maximum 10.0 bar
Minimum inlet pressure	1.5 bar

#### Technical Data

Installation position	Horizontal with discharge valve downwards
Operating temperature	Up to 65 °C
Discharge pipe connection	HT 50

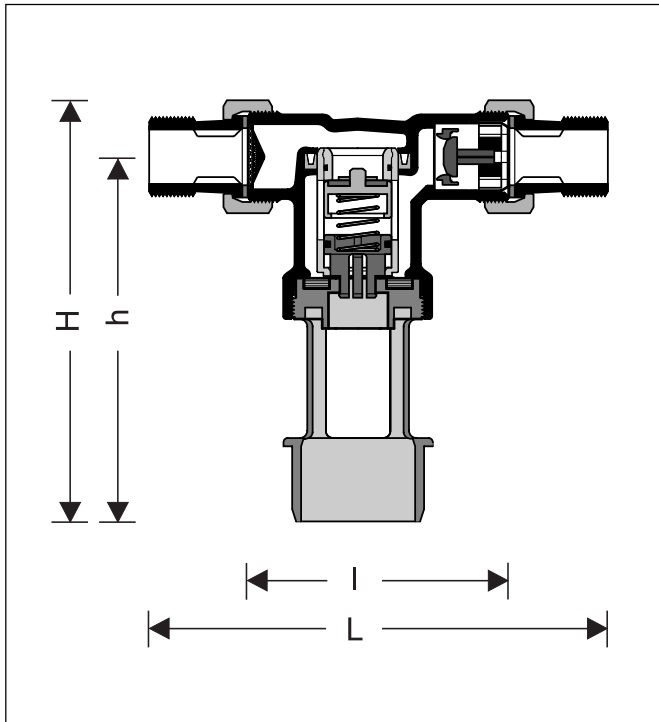
#### Construction

The backflow preventer comprises:

- Housing
- Integral strainer
- Valve cartridge
- Outlet non-return valve
- Connection fittings
- Discharge connection

#### Materials

- Dezincification resistant brass housing
- High-quality synthetic material valve cartridge
- High-quality synthetic material non-return valves
- NBR and EPDM seals
- High quality synthetic material discharge connection



**Method of Operation**

CA type backflow preventers are divided into three zones – inlet-, middle- and outlet zone  
 When the differential pressure between inlet zone and middle zone drops below under 10 % of inlet pressure the backflow preventer discharges by venting the middle zone to atmosphere.  
 There is no possibility to control the safety arrangement by measuring.

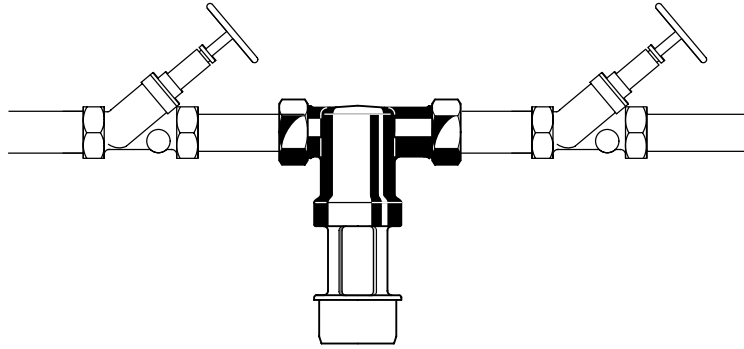
**Options**

CA295 - ... A = Standard version with threaded connections in sizes 1/2" and 3/4"



Connection size

Connection sizes	R	1/2"	3/4"
Weight	(Approx. g)	510	700
Dimensions	(mm)		
	L	142	150
	l	82	82
	H	17	21
h		114	114
Peak flow rate at $\Delta p = 1.0$ bar	in m <sup>3</sup> /h	0.5	0.5
DVGW approval		in progress	

**Installation Example****Installation Guidelines**

- Fit shutoff valves
- Install in horizontal pipework with the discharge valve downwards
- Ensure good accessibility
  - Simplifies maintenance and inspection
- CA295 backflow preventers have an integral filter and therefore no further filter should be fitted
  - This protects the backflow preventer from the ingress of dirt
- Do not install in positions where flooding can occur
- Install in a frost protected and ventilated location
- Install discharge pipework which has adequate capacity

**Anwendungsbeispiele**

Type BA backflow preventers are ideally suited for industrial and commercial applications. However they can also be used for supplies to residential buildings

The following are some typical applications:

- Cleaning appliances in hairdresser's shops
- Soda machines
- Cleaning appliances for beverage lines in public houses
- Cooling system in X-ray equipments for radiography
- Tube-sprinkler in the kitchen, domestic area
- Heating filling systems, without inhibitors

---

**Automation and Control Products**

Honeywell GmbH  
Hardhofweg  
D-74821 Mosbach

Phone: (49) 6261 810  
Fax: (49) 6261 81309  
braukmann@honeywell.com