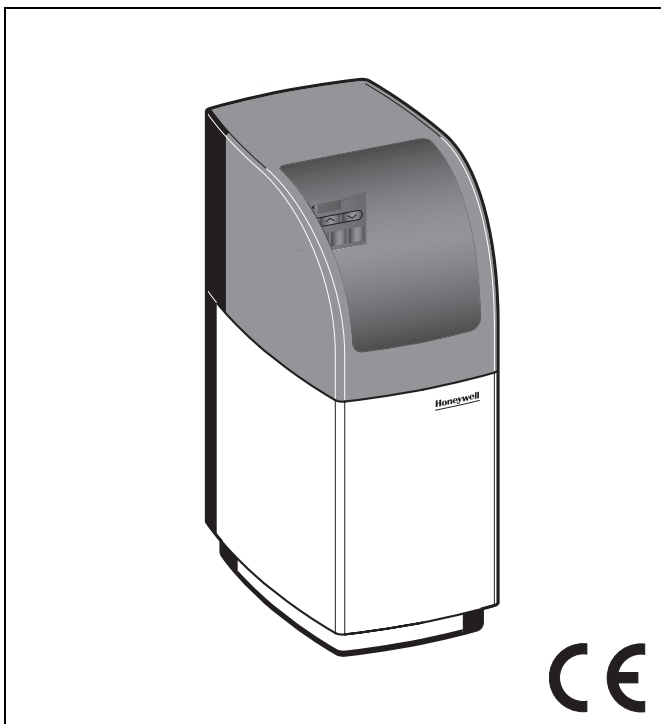


KaltecSoft PW50AS/BS/CS

Water treatment

Product specification sheet



Construction

The water softener consists of:

- Cabinet with stylish space-saving design
- Electronic regeneration system controlled by volume
- Status indicator and control panel
- Bottle with monodisperse ion exchanger
- Connector adapter, incl. Bypass valve
- External transformer; the device is only fed with a protective low voltage of 24 V
- Filter combination FK06

Materials

- Cabinet in high-grade synthetic material
- All components to brine in Noryl
- All components subject to pressure in glass-fibre-reinforced plastics

Application

Calcium carbonate dissolved in water is a valuable mineral but may create serious problems to private households as soon as the water is heated. A solid layer of lime scale will form, preferably on hot surfaces. This scale reduces the heat efficiency of water heaters and the life time of expensive appliances. KaltecSoft is designed to provide a cost efficient solution to protect your water installations. KaltecSoft combines the proven ion exchange technology with a state-of-the-art control valve. Regeneration is volume controlled to ensure minimum consumption of water and salt. Available in three different sizes KaltecSoft is easy to install and simple to operate. The included filter combination FK06 protects not only KaltecSoft but also appliances and water pipes against corrosion caused by impurities in the water. Together with the integrated pressure reducing valve it extends the life time of the whole installation.

Features

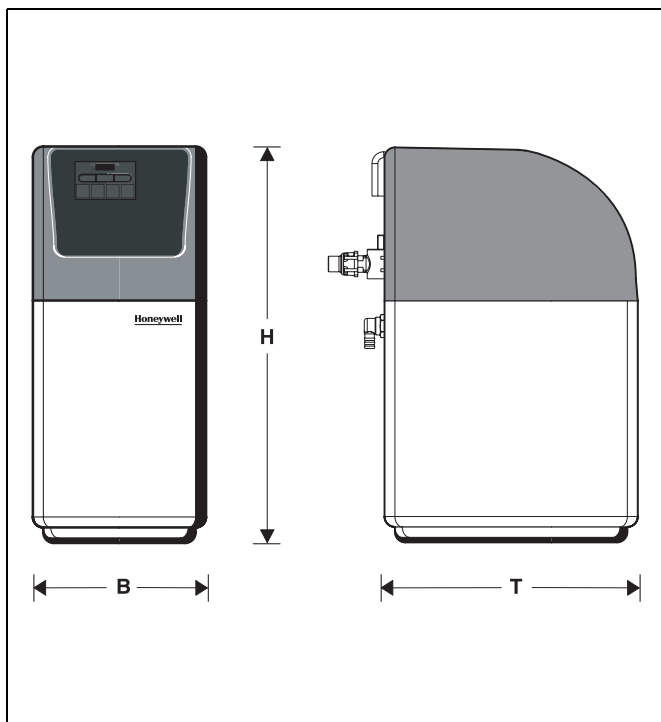
- Stops scale from forming
- Increases equipment efficiency and protects appliances
- Cuts soap/detergent bills by up to 50%
- Full automatic, meter control saves water and salt
- Filter combination included
- KaltecSoft is set on night regeneration as default

Range of Application

Medium	Water
Water temperature	5-30°C
Operating pressure	1,8-8,5 bar

Technical Data

Ambient temperature	2-40°C
Nominal pressure	PN 10
Nominal flow rate ($\Delta p=1,0$ bar)	1,4 m ³ /h
Nominal flow rate ($\Delta p=1,8$ bar)	1,8 m ³ /h
Reverse rinsing max. ($\Delta p=1,8$ bar)	1,6 m ³ /h
Supply voltage (ext. transformer)	230 V / 50 Hz
Protective extra low voltage	24 V
Power consumption	2 W (during treatment)
Protection class	IP 22
Connection size	3/4" external
Connection sewerage	1/2" hose nozzle



Function

Hard or medium-hard drinking water contains large amounts of lime, which can deposit in pipes, fittings and devices and result in irreparable damages.

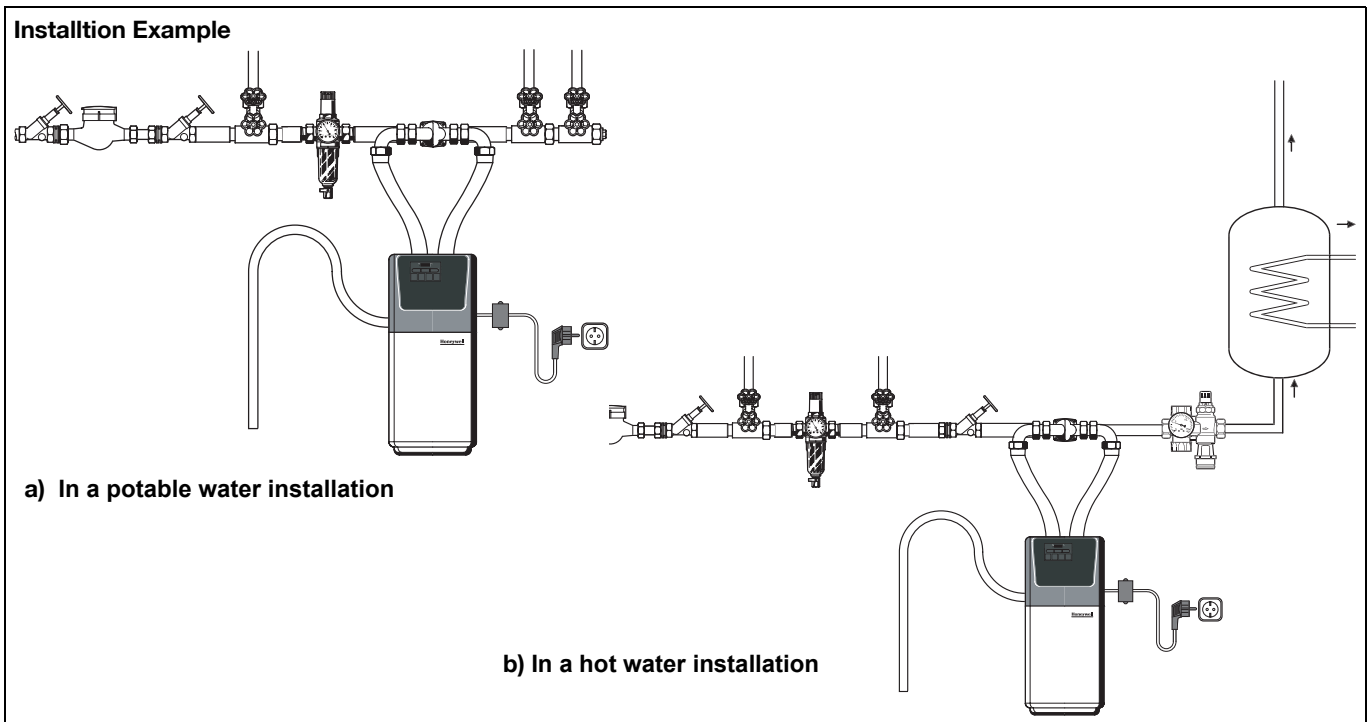
KaltecSoft is based on the simple exchange of minerals. Calcium and magnesium is replaced by sodium, thus preventing additional scale build up.

Versions

Type	Resin volume
PW50-AS KaltecSoft	10 litres
PW50-BS KaltecSoft	15 litres
PW50-CS KaltecSoft	20 litres

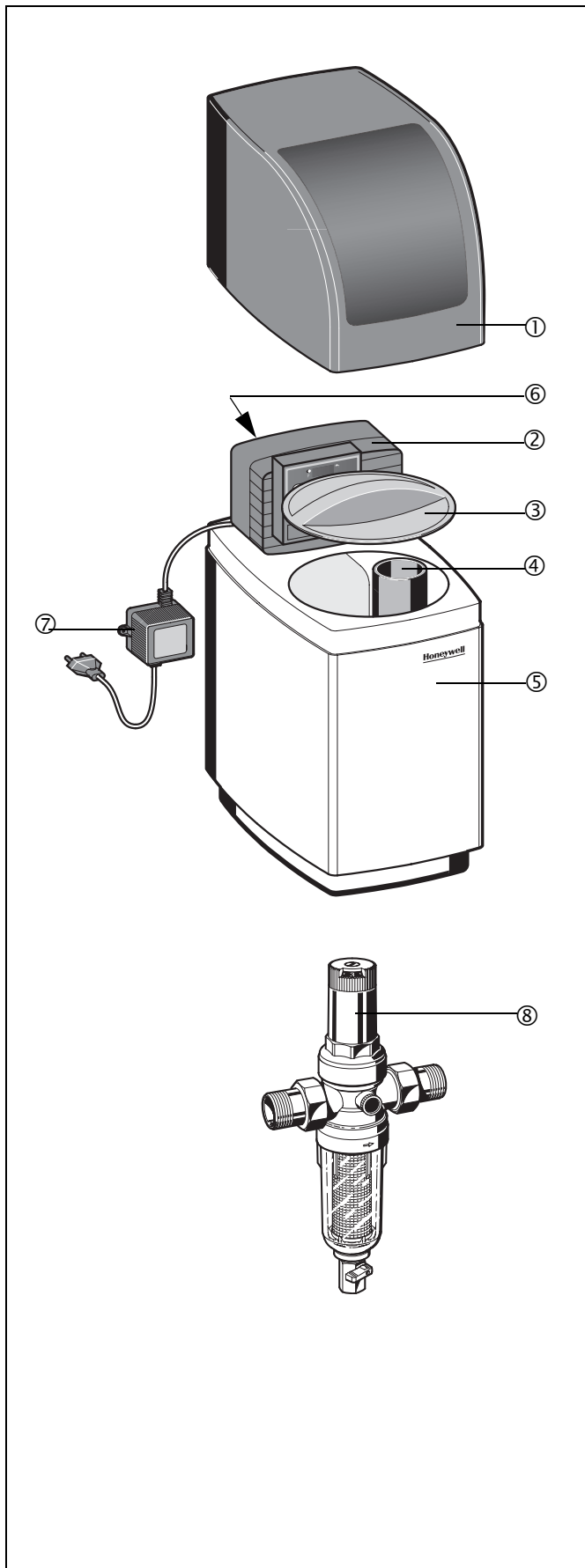
Version		PW50-AS	PW50-BS	PW50-CS
Connection size		3/4" external	3/4" external	3/4" external
Dimensions	mm			
	H	660	990	1120
	W	310	310	310
	D	425	425	425
Resin volume	L	10	15	20
Consumable material store	approx. kg	40	80	100
Salt consumption/regeneration	g	865	1300	1700
Salt consumption m ³ at 30°f	g	910	900	890
Exchange capacity between regenerations*	mol	5	7,5	10
Operating capacity	mol	4	8	8
	m ³ x°dH	22	44	44
Regeneration period	min	25	35	45
Nominal flow rate (Δp=0,8 bar, full softening mode)	m ³ /h	1,4	1,4	1,4

* Softening of water



Installation Guidelines

- All works should only be carried out by a qualified person.
- Ensure that installation is not subject to freezing or extreme heat.
- A drain connection within five meters distance or two meters height must be available. The drain hose must not be kinked in any way as this will lead to an overflow of the device.
- After the device has been installed, the time and the water hardness should be set on the appliance and a manual regeneration be initiated.
- For more detailed information, please refer to the installation manual.



Scope of delivery

KaltecSoft, Type series from 2005

No.	Description
①	Covering cap
②	Control head
③	Salt cover
④	Brine pipe
⑤	Cabinet
⑥	Connector adapter (not viewable)
⑦	Transformer
⑧	Filter Combination FK06

Automation and Control Solutions

Honeywell GmbH
Hardhofweg
Phone: (49) 6261 810
Fax: (49) 6261 81309
<http://europe.hbc.honeywell.com>
www.honeywell.com

Manufactured for and on behalf of the
Environmental and Combustion Controls Division
of Honeywell Technologies Sàrl, Ecublens, Route
du Bois 37, Switzerland by its Authorised
Representative Honeywell GmbH

EN0H-1412GE25 R0705
Subject to change
© 2005 Honeywell GmbH

Honeywell