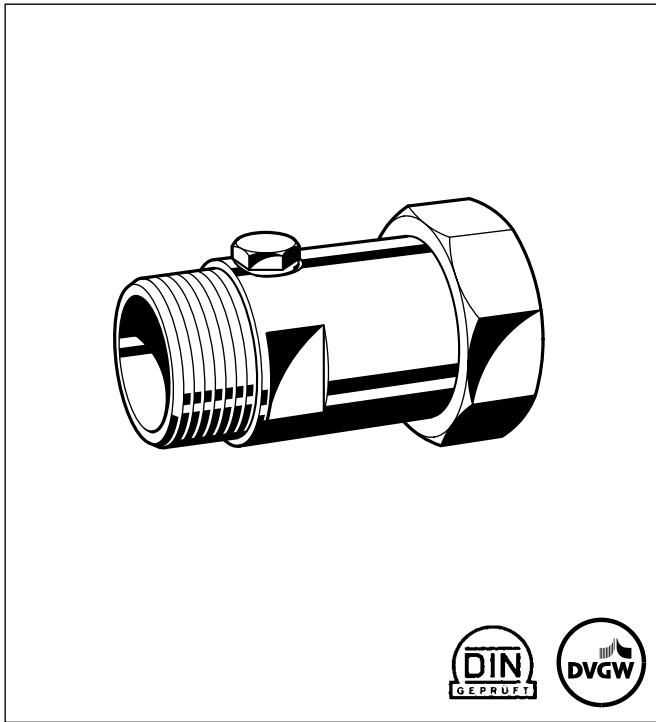


RV 277

Inlet non return valve, add-on for pressure reducing valves and filters

Product specification sheet



Construction

The non return valve comprises:

- Non return valve insert
- Union nut with internal thread
- Male threaded union with flat wrench faces
- Test plug with seal ring

Materials

- Brass union and nut
- NBR seal ring
- High grade synthetic material non return valve cartridge
- NBR lip seal ring
- High grade synthetic material test plug

Application

RV 277 inlet non return valves are particularly suitable for integral use with pressure reducing valves, filters and filter combinations of all types when these are fitted immediately after a water meter for a central water supply system. In addition, they can be fitted directly onto the outlet thread of a water meter or onto the shut-off valve on the outlet of a water meter.

Non return valves are safety devices for independent prevention of water backflow, for example from drinking water appliances back into the central water supply system. They can also be used for industrial, commercial and similar systems where back pressure, back flow and back syphonage must be prevented. The types of safety devices required for these purposes are specified in EN 1717.

Special Features

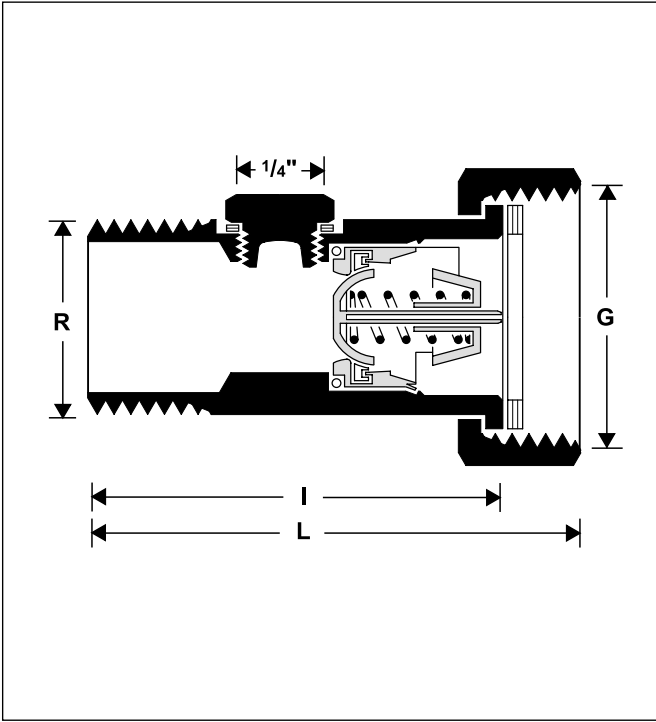
- DIN/DVGW approved
- Universal application
- Easy installation
- Quiet operation
- Creates no shock pressure loadings
- Meets KTW requirements
- Long service life
- Suitable for installation in any orientation
- Reliable, tried and tested
- Low pressure loss

Range of Application

Medium	Water
Operating pressure	Maximum 25.0 bar

Technical Data

Operating temperature	Maximum 70 °C
Opening pressure	0.01 bar approx.
Connection sizes	Male threaded union 3/4" - 2" Female threaded union nut 1" - 2 1/2"




Method of Operation

Spring loaded non return valves have a moving seal disc which is lifted off the seat by a greater or lesser amount depending on the flow rate through the valve. If the flow falls towards zero, then the spring pushes the disc back onto the seat and seals the waterway. To ensure continuing correct function it is recommended that non return valves be regularly checked and maintained (as specified in EN 1717).

Options

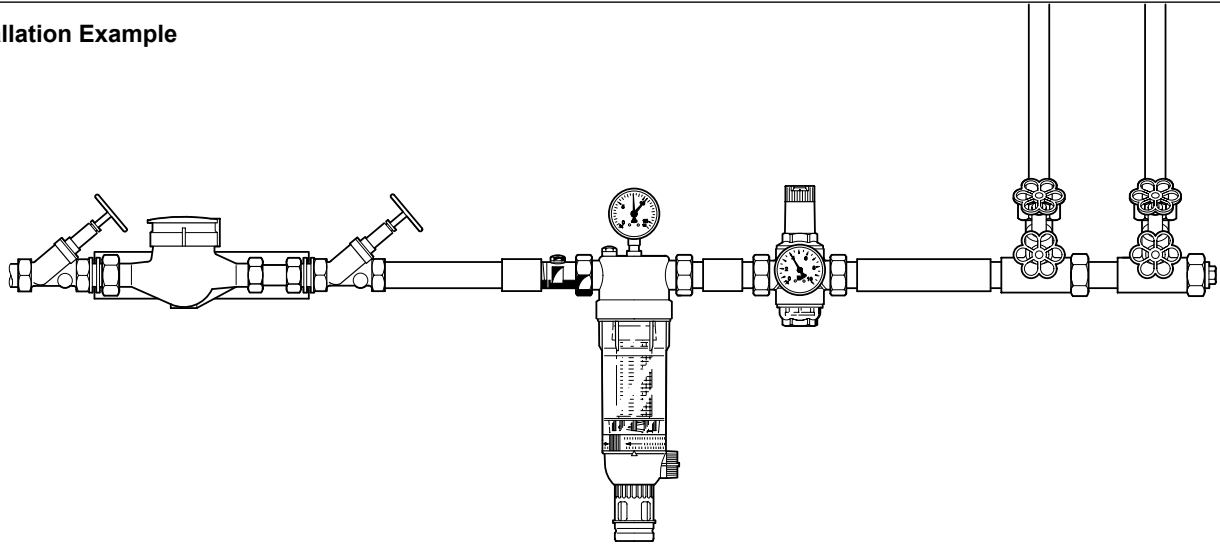
RV 277 - ... A = Standard version


 Special versions available on request
 Connection size

Connection size	R	1/2"*	3/4"	1"	1 1/4"	1 1/2"	2"
	G	1"	1"	1 1/4"	1 1/2"	2"	2 1/2"
Weight (Approx. kg)							
Dimensions (mm)							
	L	69	74	82,5	94	103,5	121
	I	57	63	69,5	80	90	106
Test and drain plug	R	1/4"	1/4"	1/4"	1/4"	1/4"	1/4"
kvs-value		6	10	15	28	41	70
Nominal flow rate (m ³ /h) at Δp = 0.15 bar		1.8	3.8	5.8	10.8	15.9	27.1
DIN/DVGW Approval No.		887	888	889	1603	1604	1605

*not suitable for D 06 F - 1/2"

Installation Example



Installation Guidelines

- If possible install in horizontal pipework
 - This position is best for testing the valve
- Fit isolating valves
 - Isolation valves provide optimal serviceability
- Ensure good access
 - Simplifies maintenance and inspection

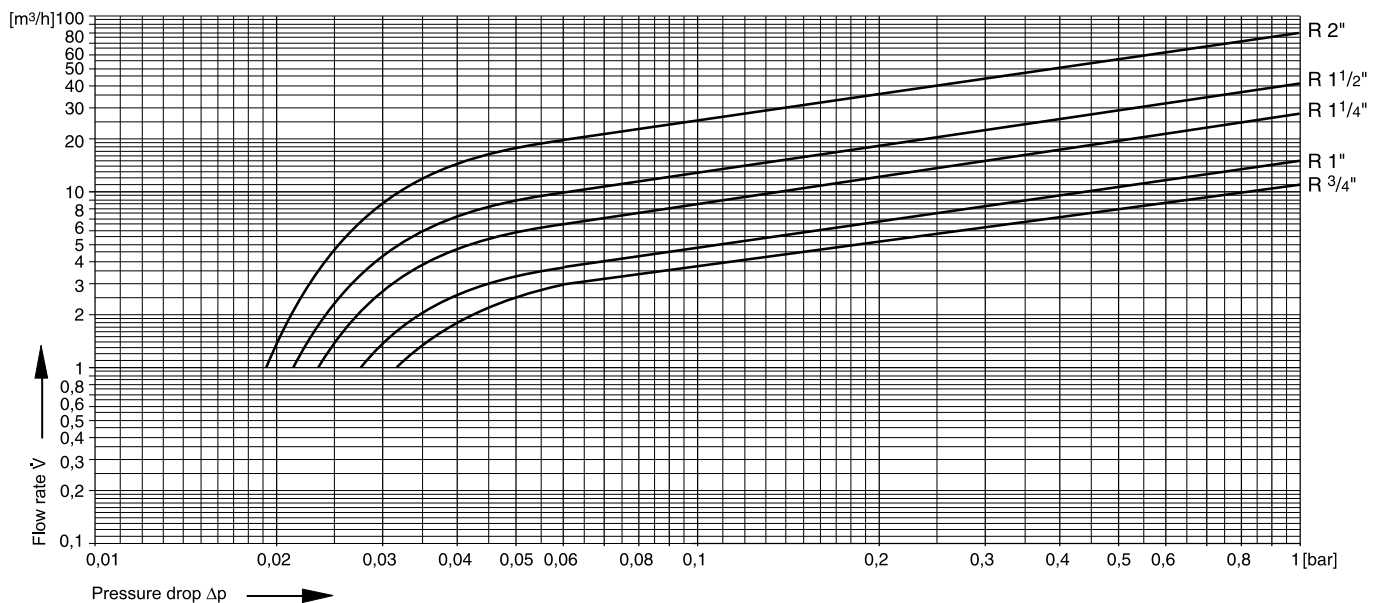
Typical Applications

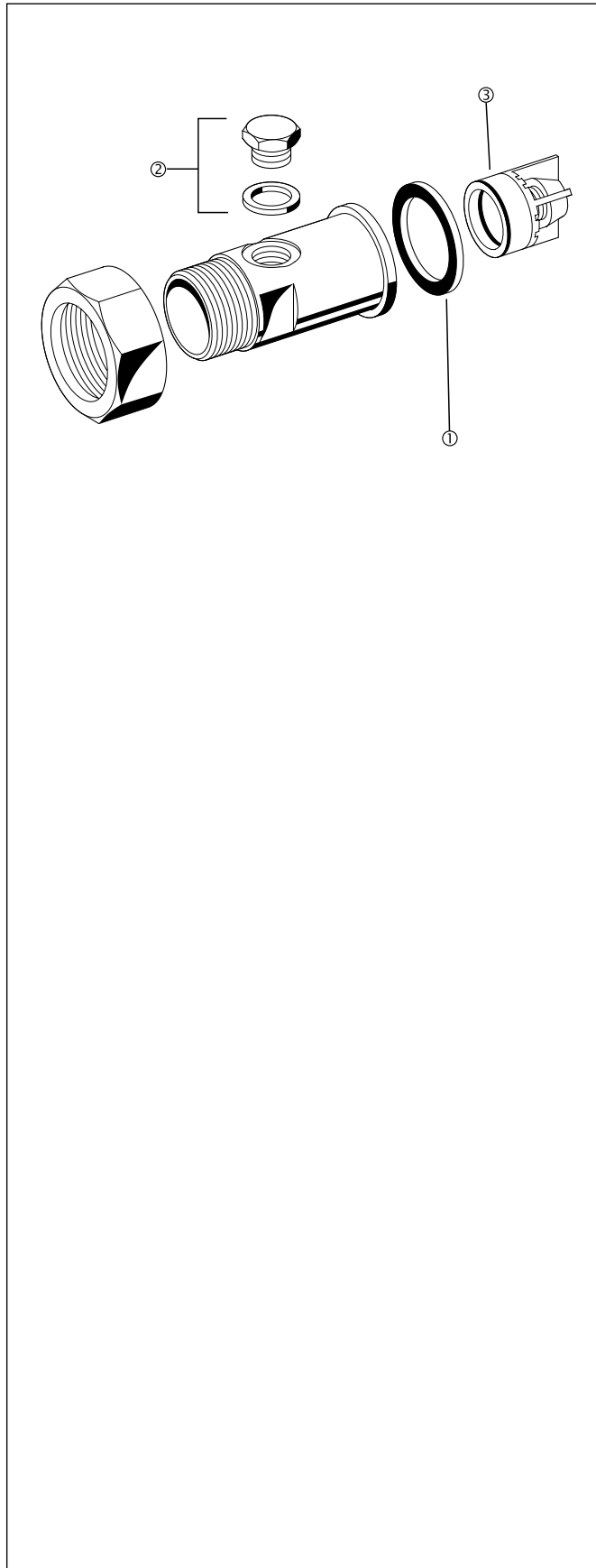
Type RV 277 non return valves are suitable for use as a safety device on water installations as specified in EN 1717. They can be used within the scope of their specification.

The following are some typical uses for RV 277 non return valves:

- In central water supply systems
- After a water meter
- As a safety device up to liquid category 2 of EN 1717.

kvs-value Diagram





**Spare Parts RV 277 Non Return Valves
(From 1994 onwards)**

Description	Nominal size	Part number
① Union seal washer (pack of 10)	3/4"	0901444
	1"	0901445
	1 1/4"	0901446
	1 1/2"	0901447
	2	0901448
② Test plug with seal ring (pack of 5)	3/4" - 2"	S 06 K - 1/4
③ Non return valve cartridge	1/2"	2166200
	3/4"	2110200
	1"	2164400
	1 1/4"	2164500
	1 1/2"	2164600
2	2164700	

Honeywell

Home and Building Control

Honeywell AG
Hardhofweg
D-74821 Mosbach

Phone: (49) 6261 810
Fax: (49) 6261 81309
braukmann@honeywell.com

<http://europe.hbc.honeywell.com>