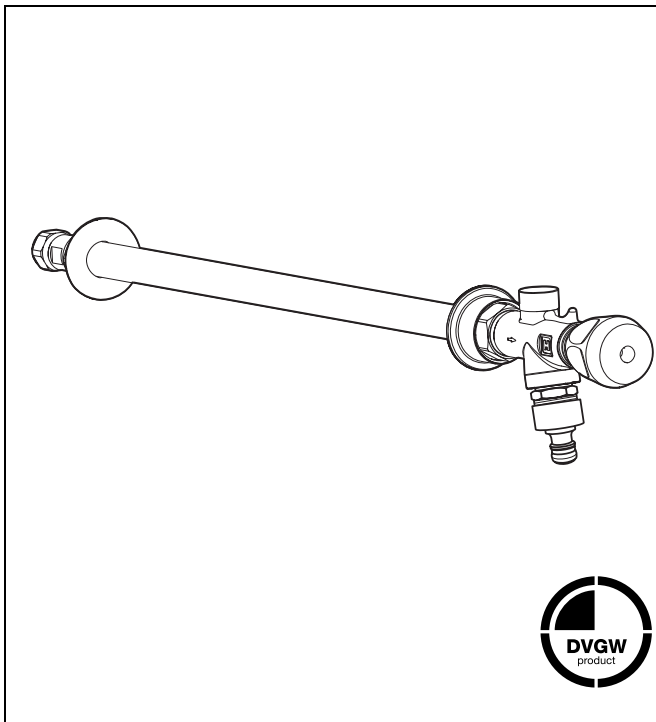


## V4720

### Alwa-Outside Tap Frost-protected, self-draining tap

#### Product specification sheet



#### Construction

The Outside Tap consists of:

- Valve body with external threads to DIN ISO 228/1 to be installed inside
- Valve insert for wall thickness up to 450 mm V4720X0015 and up to 580mm V4720X0015L (from 2011 onwards)
- Fitting with check valve and vacuum breaker according to DIN 1988, part 4 and DIN EN 1717, Type HD
- Compression connection
- Stop plate
- Hose connector

#### Materials

- Valve housing made of brass
- Outside handwheel made of brass, chrome-plated
- Copper pipes to DIN EN 1057
- Handwheel made of ABS plastic, chrome-plated
- Hose connector made of brass, chrome plated
- Seals in EPDM

#### Application

The frost-protected Alwa-Outside Tap is used as external shut-off valve for potable water installations, for example as outside tap. The tap is on the outside and the valve is on the frost-protected inside of the wall. It's a self-draining tap.

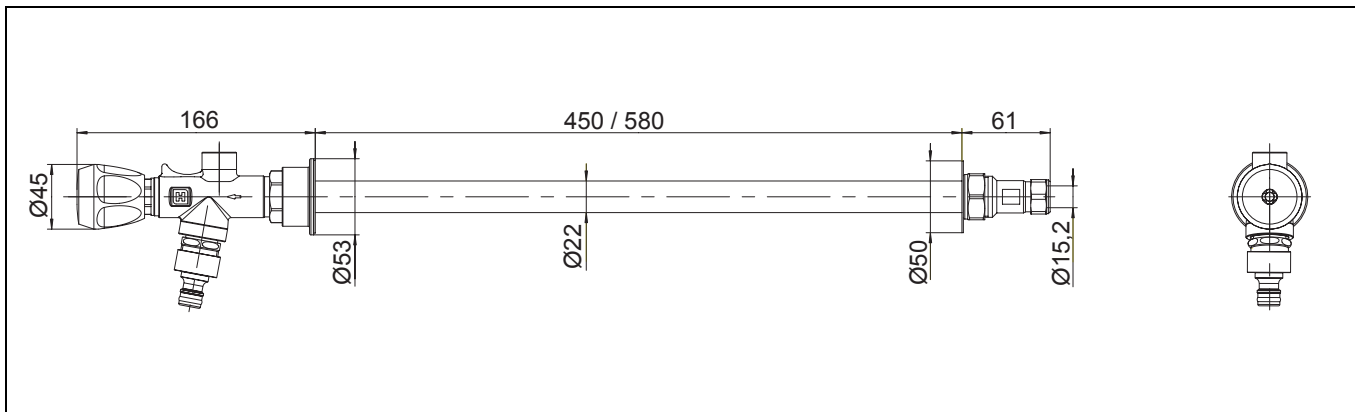
#### Special Features

- DVGW approved
- Integrated check valve and vacuum breaker according to DIN 1988 part 4 and DIN EN 1717, Type HD
- Frost-protected design
- Variable installation length 150 - 450 mm, resp. 150 - 580 mm
- Shutoff valve in frost-protected area
- Easy adjustment of tap with compression connection
- Valve insert simplify service
- All parts with lasting contact to the flow made of brass or copper
- Chrome-plated outside tap
- EPDM sealing

#### Technical Data

Medium	Water
Range of Application	-30 °C ... 60 °C
Operating pressure	max. 10 bar (PN 10)
$k_{vs}$ -value	2.1 m <sup>3</sup> /h

**Dimensions**



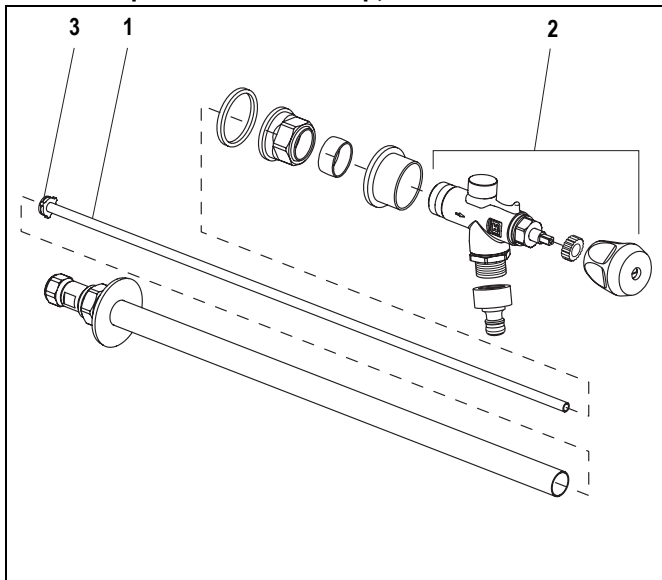
All dimensions in mm unless stated otherwise.

**Ordering information**

Discription	DN	OS-No
Alwa frost-protected outside tap 150 - 450 mm	15	V4720X0015
Alwa frost-protected outside tap 150 - 580 mm	15	V4720X0015L

**Spare Parts**

**Alwa frost-protected outside tap, from 2010 onwards**



- 1 Replacement valve insert  
for V4720X0015 VS1410A002  
for V4720X0015L VS1410A003
- 2 Operating unit for Alwa frost-protected outside tap VS1410B003
- 3 Set of sealings VS1410E002

**Automation and Control Solutions**

Honeywell GmbH  
 Hardhofweg  
 D-74821 Mosbach  
 Phone: (49) 6261 810  
 Fax: (49) 6261 81309  
<http://europe.hbc.honeywell.com>  
[www.honeywell.com](http://www.honeywell.com)

Manufactured for and on behalf of the  
 Environmental and Combustion Controls Division  
 of Honeywell Technologies Sàrl, Z.A. La Pièce 16,  
 1180 Rolle, Switzerland by its Authorised Representative Honeywell GmbH

EN0H-1815GE23 R0910  
 Subject to change without notice  
 © 2010 Honeywell GmbH

**Honeywell**