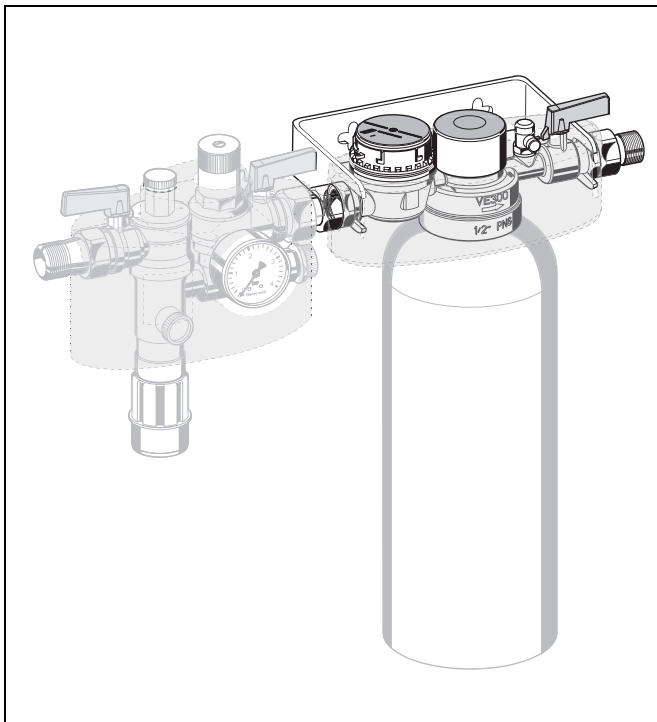


VE300

Heater water treatment unit for heating systems

Product specification sheet



Construction

The heater water treatment unit (VE300) consists of:

- Blending unit, consisting of water flow meter, outlet-sided blocking capability and bleeder valve
- Stainless steel mounting bracket with connection set
- Threaded male connections
- Total hardness test-kit to determine water hardness

Materials

- Dezincification-resistant brass housing
- Mechanical components of the heater water treatment unit made of high-quality plastic
- EPDM sealing washers

Application

The heater water treatment unit of the Honeywell VE300 facilitates the softening of heating water. Limescale and thereby caused damages and malfunction in hot water heating system are avoided efficiently.

According to DIN EN 1717 the refilling combination NK300 have to be fitted on the inlet to protect the portable water supply.

Special Features

- Integrated water meter simplify the determination of cartridge exchange
- Easy installation and exchange of cartridge without tools
- Constant connection with the drinking water supply in accordance with EN1717 by hose line or piping is possible in case of using a NK300

Range of Application

Medium Water

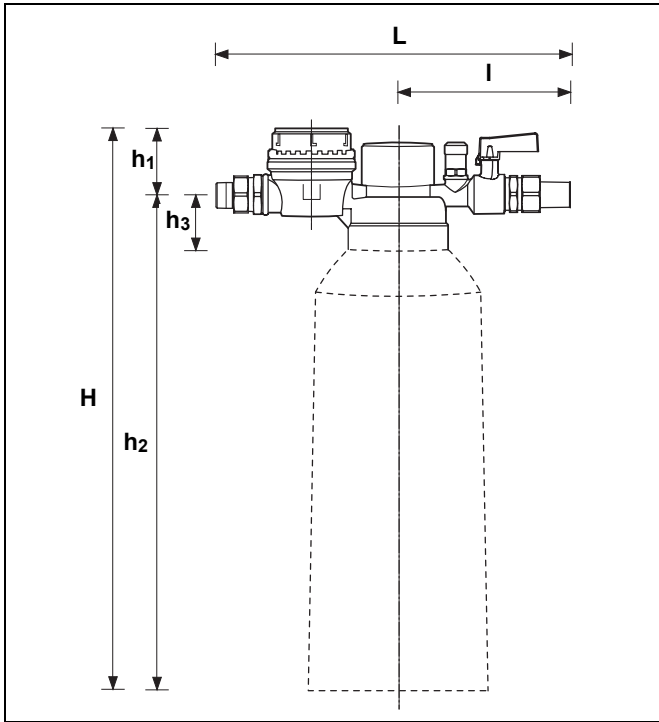
Inlet pressure max. 6,0 bar

Suitable for heating systems with the following materials: Steel, copper, copper alloys and plastics (for softening) and aluminium, aluminium alloys, steel, copper, copper alloys and plastic (for complete demineralisation).

Treated water has modified corrosive chemical parameters. Conditioning by means of inhibitors is to be provided for separately.

Technical Data

Installation position	horizontal
Operating temperature	max. 30 °C
k_{VS} -value	0,45 m ³ /h
Connection size	1/2" External thread



Method of Operation

The heater water treatment unit (VE300) installed directly below the refilling combination (NK300) uses the ionic exchange principle to soften water, replacing alkaline earths such as calcium and magnesium with sodium ions.

Depending on the regional water hardness, the heater water treatment unit is set to partially soften (<math><8^{\circ}\text{dH}</math>) or completely soften (<math><0.11^{\circ}\text{dH}</math>) the water.

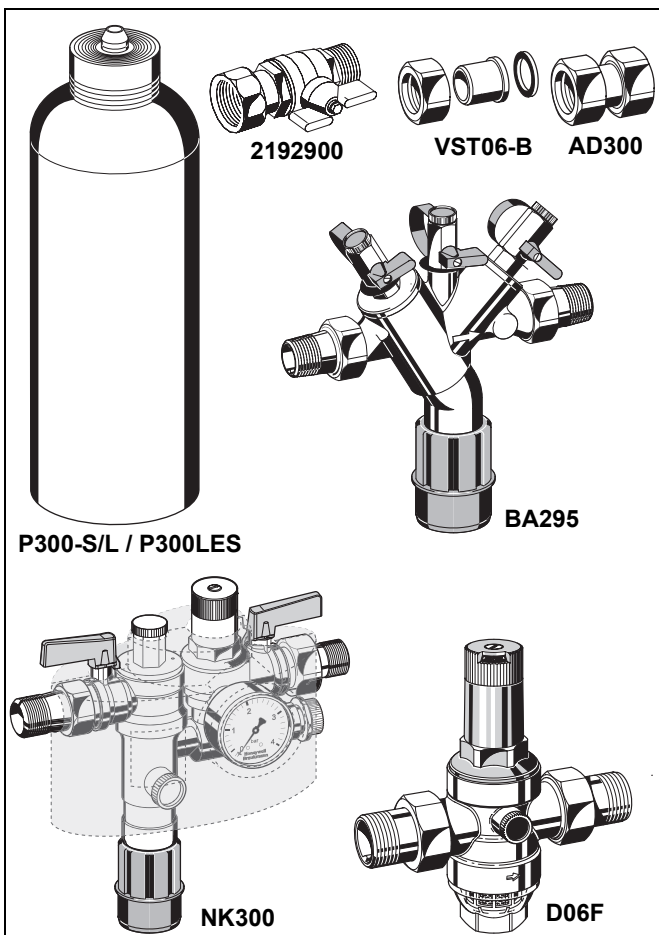
Complete demineralisation will completely remove the mineral deposits in the water!

For complete demineralisation, the dilution must be set to 0!

Options

VE300-1/2A = Standard version with threaded connection R $1\frac{1}{2}$ "

Connection size	R	$1\frac{1}{2}$ "
Weight	kg	1.8
Dimensions	mm	
	H	504
	h ₁	54
	h ₂	450
	h ₃	45
	L	296
		138
K _{vs} -value	m ³ /h	0.45



Accessories

219290 Shutoff valve

Connection size $1\frac{1}{2}$ "

VST06-B Connection set

Solder connections

P300-S Softening cartridge

0.75l softening cartridge with ionic exchange resin

P300-L Softening cartridge

3.5l softening cartridge with ionic exchange resin

P300-LES Complete demineralisation cartridge

3.5l complete demineralisation cartridge with exchange resin

AD300 Adapter

To fit the softening unit to a $3/4$ " male connection.

D06F Pressure reducing valve

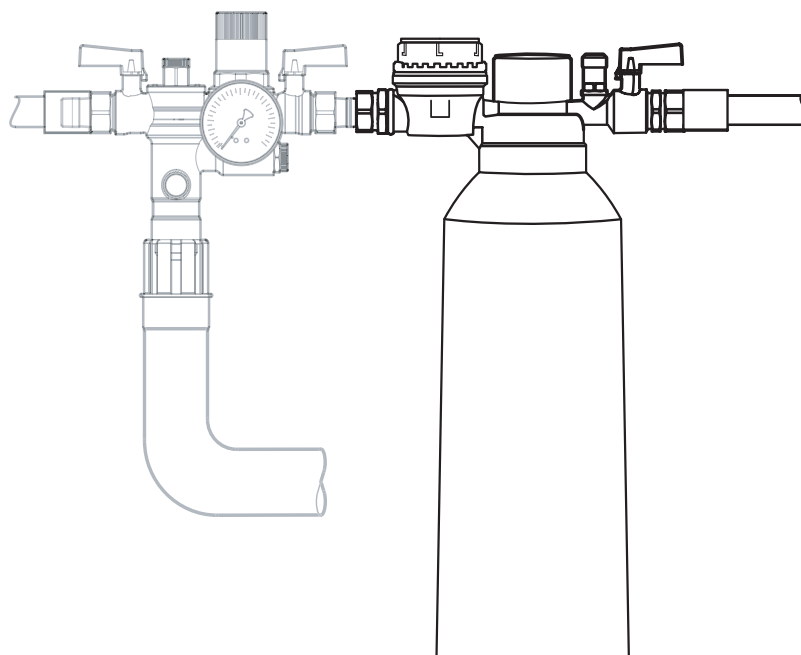
Noise protected pressure reducing valve with setting scale. Maximum inlet pressure 16 bar, with brass filter bowl 25 bar, outlet pressure range 1.5 - 6.0 bar
 A = With clear filter bowl up to 40 °C / 16 bar
 B = With brass filter bowl up to 70 °C / 25 bar

BA295 Backflow Preventer

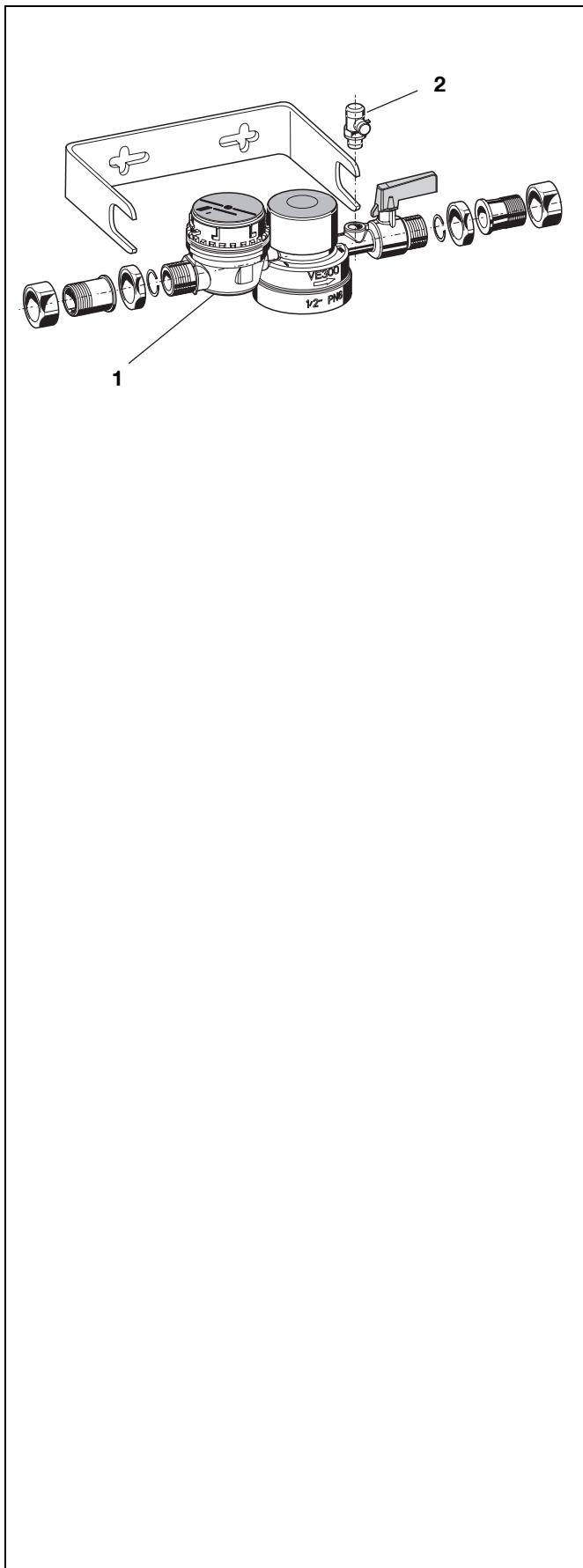
To protect drinking water systems against back pressure, backflow and withdrawal. Protection against fluids up to and including fluid category 4 acc. to DIN EN 1717.

NK300 Refilling combination

Liquid category 4, with pressure gauge, shutoff valve and isolating shell

Installation Example**Installation Guidelines**

- Installation in the inlet to the heating system, fasten the heater water treatment unit (VE300) to the wall
- Installation into horizontal pipeline
- The installation may not take place in areas or ducts where poisonous gases or vapours may be present or where flooding can occur
- The installation environment should be protected against frost and ventilated well
- The installation location has to be easily accessible
 - o Simplified maintenance and cleaning
- Acc. to DIN EN 1717 in direction of flow, first install the refilling combination (NK300) and directly after it, the heater water treatment unit (VE300)
- The national installation regulations must be observed during the assembly.
- When installing a refilling combination (NK300) above the heater water treatment unit (VE300), provide a shut-off device



Spare Parts

Heater water treatment unit VE300 (2009 onwards)

No.	Description	Dimension	Part No.
1	Water flow meter		WZ300
2	Air bleed valve		2421100

Automation and Control Solutions

Honeywell GmbH
Hardhofweg
74821 MOSBACH
GERMANY
Phone: (49) 6261 810
Fax: (49) 6261 81309
<http://.ecc.emea.honeywell.com>

Manufactured for and on behalf of the
Environmental and Combustion Controls Division
of Honeywell Technologies Sàrl, Z.A. La Pièce 16,
1180 Rolle, Switzerland by its Authorised Repre-
sentative Honeywell GmbH

EN0H-1547GE23 R0812
Subject to change without notice
© 2012 Honeywell GmbH

