

## VR-SX100

float valves for installation in closed vessels, up to 300 °C

data sheet

### Technical Data

Connection	G 1/2A - 1 1/2A (male thread)
Nominal Pressure	PN 16
Operating Pressure	0 - 8 bar
K <sub>vs</sub> -Value	0,9 - 6,4 m <sup>3</sup> /h

### Description

Float valves VR-SX100 are automatic controllers of liquid levels in closed vessels.

The float reacts to the liquid level and controls the valve directly via a lever. A change of the level immediately causes a change of the flow.

Float valves VR-SX100 are inflow valves for horizontal or vertical installation. With temperatures up to 130 °C a soft seal ensures tightness; with temperatures up to 300 °C a metallic seal is applied.

When inquiring or ordering, please, state the following additional letters:

- w = Horizontal flow.
- o = Flow moving upwards.
- u = Flow moving downwards.

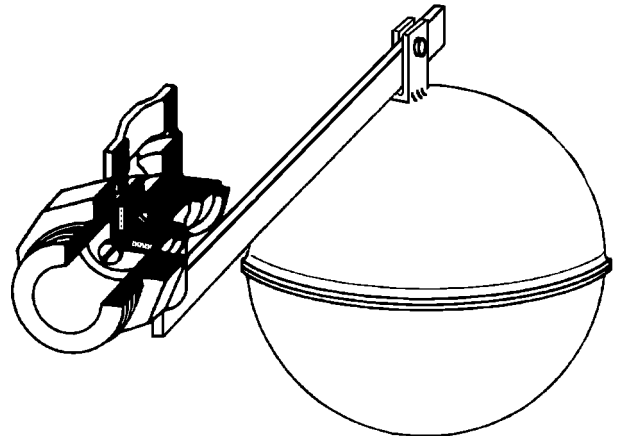
Example: float valve NV94Z/w (inflow valve, horizontal flow).

### Standard

- completely made of stainless steel

### Options

- different materials for seals suitable for your medium
- different operating pressure ranges available
- also available as outflow valve
- special designs on request



K <sub>vs</sub> -values [m <sup>3</sup> /h]				
Nominal diameter				
1/2	3/4	1	1 1/4	1 1/2
0,9	1,9	2,8	4,4	6,4

Materials	
Body	CrNiMo-steel
Cone	CrNiMo-steel
Seat	CrNiMo-steel
Valve Seal	EPDM up to 130 °C (G 3/8 FPM up to 100 °C) metallic up to 300 °C
Float	CrNiMo-steel

Dimensions [mm]						
size	nominal diameter G...A					
	3/8	1/2	3/4	1	1 1/4	1 1/2
B	9	13,5	15,5	19,5	24	26
C	56	75	75	97	110	120
D	12	16	16	20	22	25
E	34	42	42	55	63	63
F	110	165	190	225	285	320
G	43	57	57	72	80	90

Weights [kg]						
nominal diameter G ... A						
3/8	1/2	3/4	1	1 1/4	1 1/2	
0,6	0,9	1,3	2	3,5	4,5	

Float Dimensions						
Ballfloat SR3 [ø mm]						
nominal diameter G ... A						
3/8	1/2	3/4	1	1 1/4	1 1/2	
100	110	130	150	180	200	

