

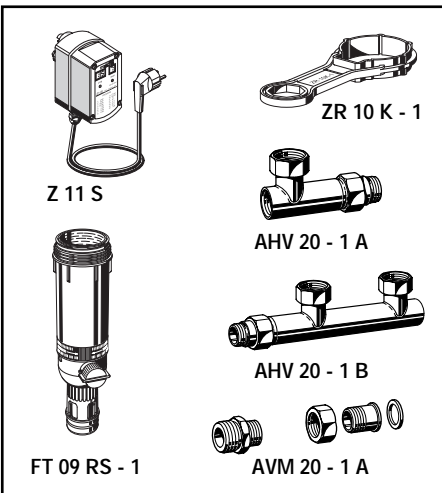
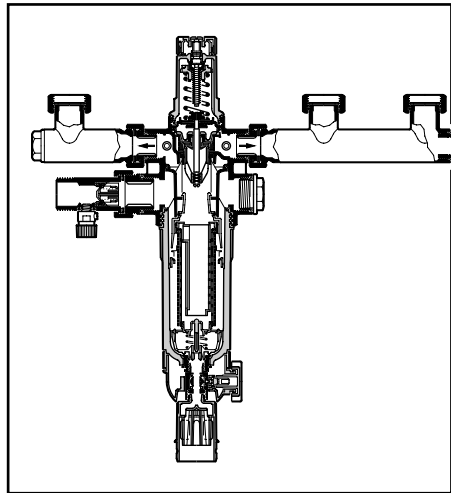
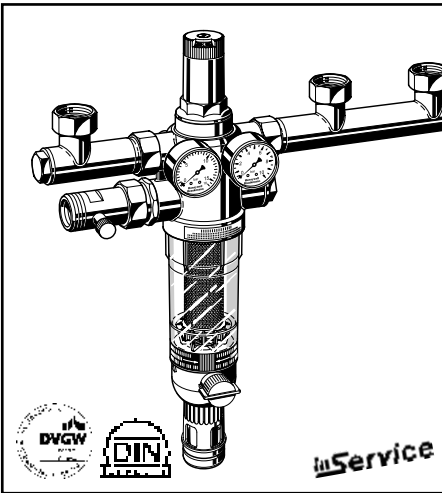
# Filters, filter combinations and strainers

<b>HV 20 D</b>	Water distributor unit	50	<b>FK 08</b>	Filter combinations	66
<b>HS 10 S</b>	Combination water supply unit	52		Filter combinations –	
<b>HS 10</b>	Combination water supply unit	54		What to do if...	68
<b>FK 76 CS</b>	Filter combinations	56	<b>F 76 S</b>	Fine filters	70
<b>FK 76 C</b>	Filter combinations	58	<b>F 76</b>	Fine filters	72
<b>FKN 76 CS</b>	Retrofit filter combinations	60	<b>F 76 CS</b>	Fine filters	74
<b>FKN 76 C</b>	Retrofit filter combinations	62	<b>F 76 C</b>	Fine filters	76
<b>FKN 74 C</b>	PRIMUS-FK filter combinations	64	<b>FN 76 CS</b>	Retrofit fine filters	78
			<b>FN 76 C</b>	Retrofit fine filters	80
			<b>FN 74 C</b>	PRIMUS-F fine filters	82
			<b>FN 09 S</b>	HABEDO® retrofit filters	84
			<b>FN 09</b>	HABEDO® retrofit filters	86
			<b>F 76 S-F</b>	Fine filters with flanges	88
			<b>F 76-F</b>	Fine filters with flanges	90
			<b>FF 08</b>	Fine filters	92
				Fine filters –	
				What to do if...	94
			<b>FY 30</b>	Strainers	96
			<b>FY 32</b>	Strainers	98
			<b>FY 69</b>	Strainers with flanges	102
			<b>FY 71</b>	Strainers with flanges	104
				Strainers –	
				What to do if...	106



# HV 20 D water distributor unit

1997 and onwards

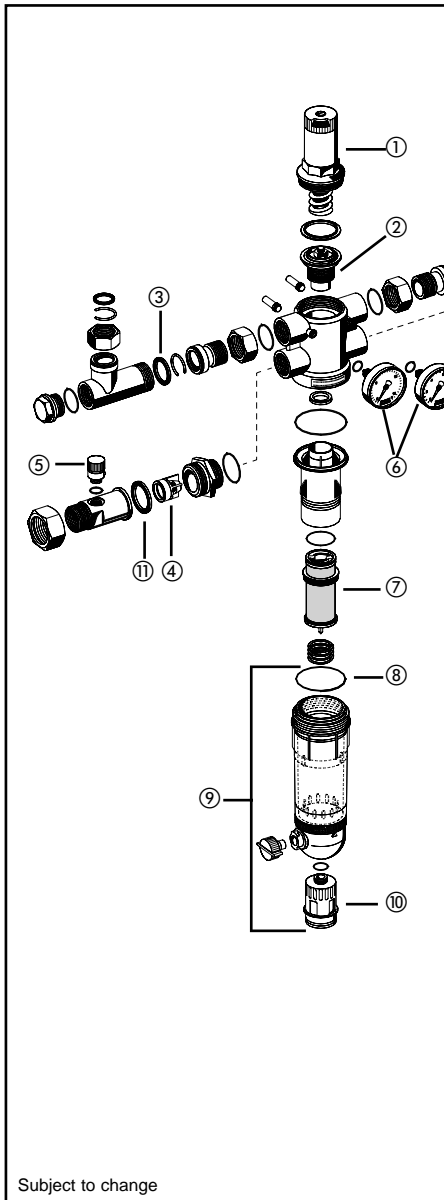


## Accessories

- Z 11 S** Automatic reverse rinsing actuator  
For automatic reverse rinsing of the filter at adjustable time intervals
- ZR 10 K-1** Double ring wrench  
For removing filter bowl and spring bonnet
- AHV 20-1 A** T-piece  
For adding take off connections
- AHV 20-1 B** Double T-piece  
For adding take off connections
- FT 09 RS-1** Red bronze filter bowl  
For temperatures up to 70° C and operating pressures up to 25 bar
- AVM 20-1 A** Adapter pieces for distributor header

# HV 20 D water distributor unit - Service parts

1997 and onwards



## Description

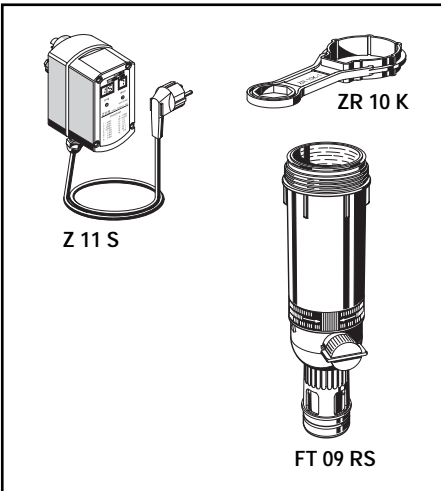
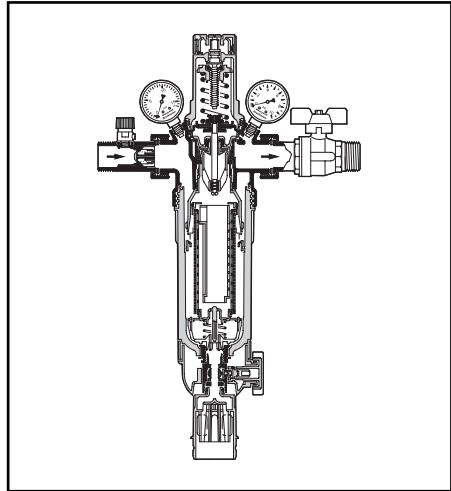
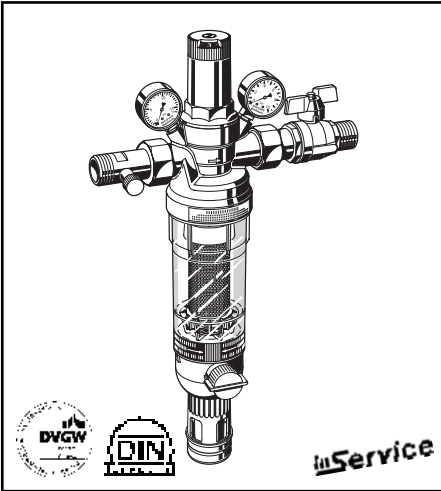
## Part number

- |   |               |
|---|---------------|
| ① Spring bonnet complete (with adjuster scale)            | 0901517       |
| ② Valve insert complete (without filter insert)           | D 06 FA - 1 A |
| ③ Seal (pack of 10)                                       | 0901445       |
| ④ Check valve cartridge                                   | 2164500       |
| ⑤ Test valve  | 2421100       |
| ⑥ Pressure gauge 0 – 10 bar                               | M 07 K - A 10 |
| 0 – 16 bar  | M 07 K - A 16 |
| ⑦ Filter insert complete lower/upper mesh size 105/135 µm | AF 11 S - 1 A |
| Filter mesh size 20 µm                                    | AF 11 S - 1 B |
| Filter mesh size 50 µm                                    | AF 11 S - 1 C |
| Filter mesh size 200 µm                                   | AF 11 S - 1 D |
| Filter mesh size 300 µm                                   | AF 11 S - 1 E |
| Filter mesh size 500 µm                                   | AF 11 S - 1 F |
| ⑧ O-ring set (pack of 10)                                 | 0900747       |
| ⑨ Clear filter bowl                                       | KF 11 S - 1 A |
| ⑩ Discharge connector                                     | AA 76 - 1/2 A |
| ⑪ Seal set (pack of 10)                                   | 0901446       |

Subject to change

# HS 10 S combination water supply units

1997 and onwards

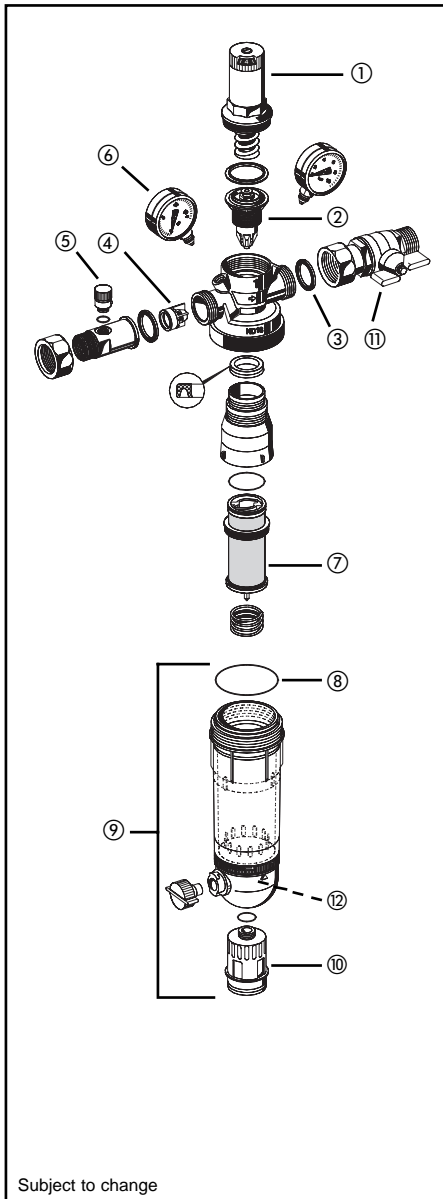


## Accessories

- Z 11 S**     **Automatic reverse rinsing actuator**  
For automatic reverse rinsing of the filter at adjustable time intervals
- ZR 10 K**     **Double ring wrench**  
For removing filter bowl and spring bonnet
- FT 09 RS**     **Red bronze filter bowl**  
For temperatures up to 70° C and operating pressures up to 25 bar

# HS 10 S combination water supply units - Service parts

1997 and onwards

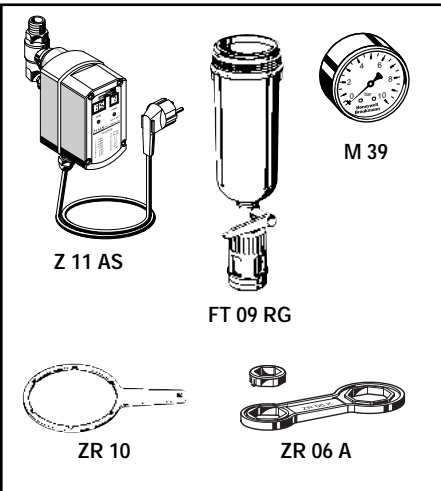
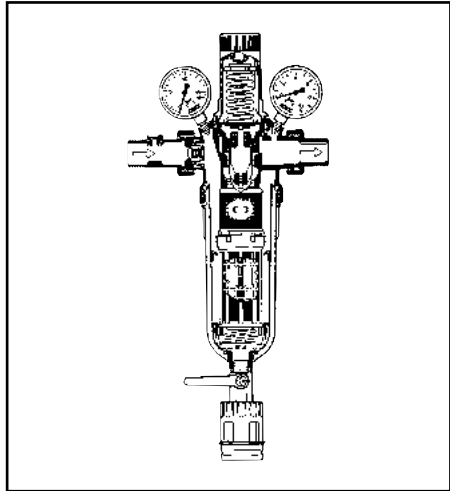
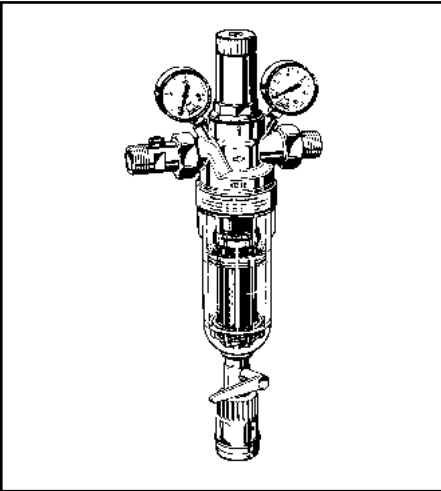


Description	Nominal size	Part number
① Spring bonnet complete (with adjuster scale)	1/2" + 3/4"	0901515
	1" + 1 1/4"	0901517
	1 1/2" + 2"	0901518
② Valve insert complete (without filter insert)	1/2" + 3/4"	D 06 FA - 1/2
	1" + 1 1/4"	D 06 FA - 1 A
	1 1/2" + 2"	D 06 FA - 1 1/2
③ Seal ring set (pack of 10)	1/2" + 3/4"	0901444
	1"	0901445
	1 1/4"	0901446
	1 1/2"	0901447
	2"	0901448
④ Check valve cartridge	1/2"	2166200
	3/4"	2110200
	1"	2164400
	1 1/4"	2164500
	1 1/2"	2164600
⑤ Test valve	1/2" - 2"	2421100
	1 1/2" - 2"	2164700
⑥ Pressure gauge (0-10 bar)	1/2" - 2"	M 38 K - A 10
	1/2" - 2"	M 38 K - A 16
	1/2" - 2"	M 38 K - A 25
⑦ Filter insert complete	lower/upper mesh size	1/2" - 1 1/4"
	105/135 µm	1 1/2" - 2"
	Filter mesh size	1/2" - 1 1/4"
	20 µm	1 1/2" - 2"
	Filter mesh size	1/2" - 1 1/4"
	50 µm	1 1/2" - 2"
	Filter mesh size	1/2" - 1 1/4"
	200 µm	1 1/2" - 2"
	Filter mesh size	1/2" - 1 1/4"
	300 µm	1 1/2" - 2"
	Filter mesh size	1/2" - 1 1/4"
	500 µm	1 1/2" - 2"
⑧ O-ring set (pack of 10)	1/2" - 1 1/4"	AF 11 S - 1 A
	1 1/2" - 2"	AF 11 S - 1 1/2 A
⑨ Clear filter bowl	1/2" - 1 1/4"	AF 11 S - 1 B
	1 1/2" - 2"	AF 11 S - 1 1/2 B
⑩ Discharge connector	1/2" - 1 1/4"	AF 11 S - 1 C
	1 1/2" - 2"	AF 11 S - 1 1/2 C
⑪ Shutoff valve	1/2" - 1 1/4"	AF 11 S - 1 D
	1 1/2" - 2"	AF 11 S - 1 1/2 D
⑫ Ball valve complete	1/2" - 1 1/4"	AF 11 S - 1 E
	1 1/2" - 2"	AF 11 S - 1 1/2 E
⑬ O-ring set (pack of 10)	1/2" - 1 1/4"	AF 11 S - 1 F
	1 1/2" - 2"	AF 11 S - 1 1/2 F
⑭ Clear filter bowl	1/2" - 1 1/4"	AF 11 S - 1 G
	1 1/2" - 2"	AF 11 S - 1 1/2 G
⑮ Discharge connector	1/2" - 1 1/4"	AF 11 S - 1 H
	1 1/2" - 2"	AF 11 S - 1 1/2 H
⑯ Shutoff valve	1/2"	0900747
	3/4"	0900748
⑰ O-ring set (pack of 10)	1/2" - 2"	0900748
	1 1/2" - 2"	0900748
⑱ Clear filter bowl	1/2" - 1 1/4"	KF 11 S - 1 A
	1 1/2" - 2"	KF 11 S - 1 1/2 A
⑲ Discharge connector	1/2" - 2"	AA 76 - 1/2 A
	1 1/2" - 2"	AA 76 - 1/2 A
⑳ Shutoff valve	1/2"	2192900
	3/4"	2193100
㉑ O-ring set (pack of 10)	1"	2193200
	1 1/4"	2193300
㉒ Clear filter bowl	1 1/2"	2193400
	2"	2193500
㉓ Ball valve complete	1/2" - 2"	2193500
	1 1/2" - 2"	KH 11 S - 1 A

Subject to change

# HS 10 combination water supply units

From 1981 to 1996

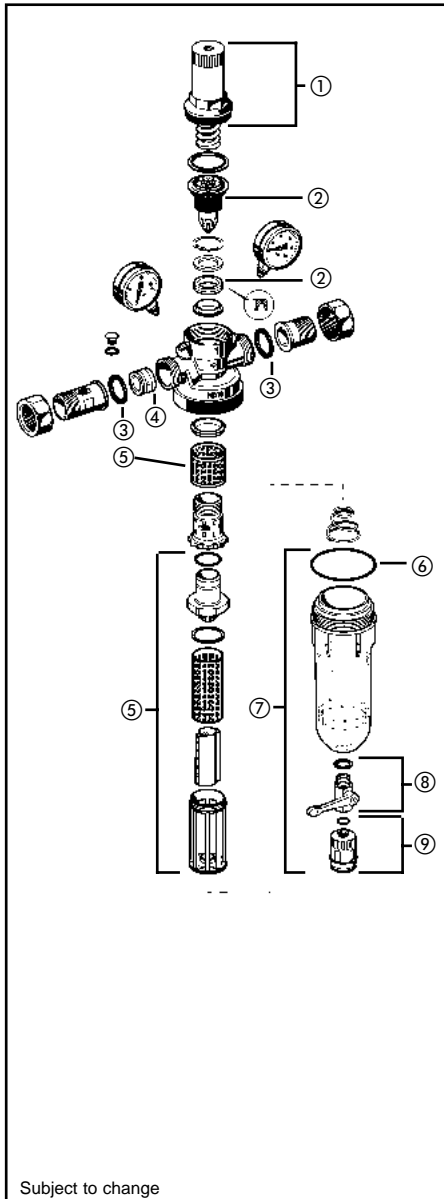


## Accessories

- ZR 06 A**     **Double ring wrench**  
For removing spring bonnet
- ZR 10**        **Double ring wrench**  
For removing filter bowl
- Z 11 AS**      **Automatic reverse rinsing actuator**  
For automatic reverse rinsing of the filter at adjustable time intervals
- FT 09 RG**    **Red bronze filter bowl with ball valve**  
For temperatures up to 70° C and operating pressures up to 25 bar
- M 39**          **Pressure gauge**  
Housing Ø 63 mm, rear connection G 1/4  
Ranges:  
0 – 10, 0 – 16 bar.  
Please state pressure range when ordering

# HS 10 combination water supply units - Service parts

From 1981 to 1996



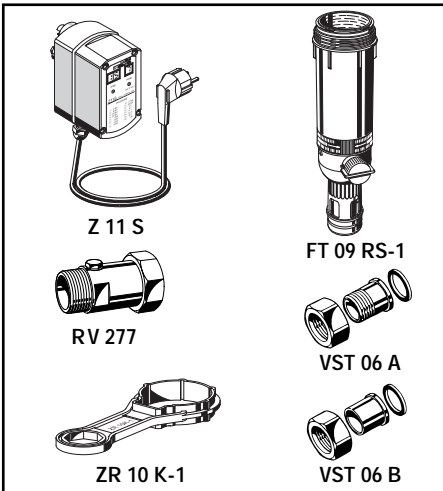
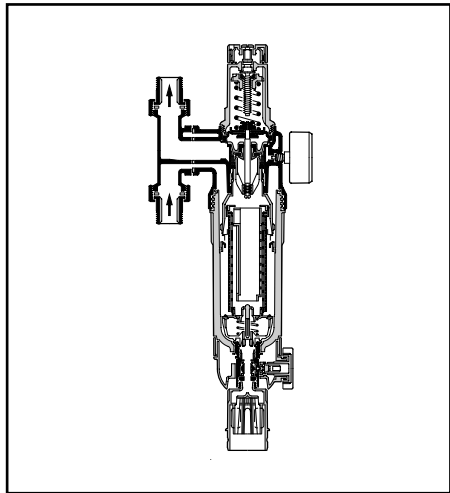
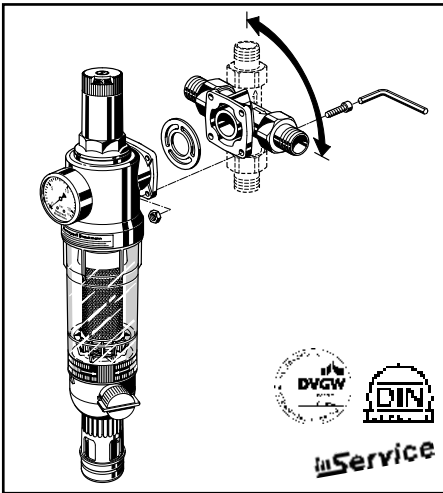
Subject to change

Description	Nominal size	Part number	
① Spring bonnet complete	1/2" + 3/4"	0900152	
	1" + 1 1/4"	0900153	
	1 1/2" + 2"	0900154	
② Valve insert complete (without filter insert)	1/2" + 3/4"	D 06 FA - 1/2	
	1" + 1 1/4"	D 06 FA - 1 A	
	1 1/2" + 2"	D 06 FA - 1 1/2	
③ Seal ring set (pack of 10)	1/2"	0901443	
	3/4"	0901444	
	1"	0901445	
	1 1/4"	0901446	
	1 1/2"	0901447	
④ Check valve	2"	0901448	
	1/2"	2973900	
	3/4"	2973900	
	1"	2974000	
	*1 1/4"	2164500	
⑤ Filter insert	*1 1/2"	2164600	
	*2"	2164700	
	1/2" + 3/4"	AF 11 - 1/2 A	
⑤ Filter insert lower/upper mesh size	1" + 1 1/4"	AF 11 - 1 A	
	1 1/2" + 2"	AF 11 - 1 1/2 A	
	Filter mesh size		
20 µm	1/2" + 3/4"	AF 11 - 1/2 B	
	1" + 1 1/4"	AF 11 - 1 B	
	1 1/2" + 2"	AF 11 - 1 1/2 B	
⑤ Filter insert	Filter mesh size		
	50 µm	1/2" + 3/4"	AF 11 - 1/2 C
		1" + 1 1/4"	AF 11 - 1 C
⑤ Filter insert		1 1/2" + 2"	AF 11 - 1 1/2 C
	Filter mesh size		
	200 µm	1/2" + 3/4"	AF 11 - 1/2 D
	1" + 1 1/4"	AF 11 - 1 D	
	1 1/2" + 2"	AF 11 - 1 1/2 D	
⑥ O-ring set (pack of 10)	1/2" + 3/4"	0900746	
	1" + 1 1/4"	0900747	
	1 1/2" + 2"	0900748	
⑦ Clear filter bowl	1/2" + 3/4"	KF 11 - 1/2 A	
	1" + 1 1/4"	KF 11 - 1 A	
	1 1/2" + 2"	KF 11 - 1 1/2 A	
⑧ Ball valve	1/2" + 1 1/4"	KH 11 - 1/2 A	
	1 1/2" + 2"	KH 11 - 1 1/2 A	
⑨ Discharge connector	1/2" - 2"	AA 76 - 1/2 A	

\* Check valve fitted in outlet up to October 1993

# FK 76 CS filter combinations

1997 and onwards



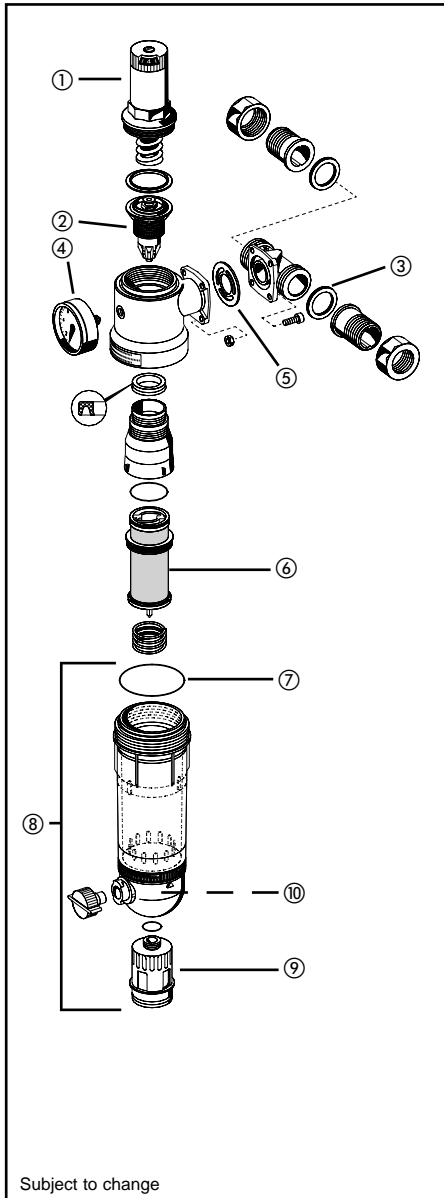
## Accessories

- Z 11 S**     **Automatic reverse rinsing actuator**  
For automatic reverse rinsing of the filter at adjustable time intervals
- ZR 10 K-1**     **Double ring wrench**  
For removing filter bowl and spring bonnet
- FT 09 RS-1**     **Red bronze filter bowl**  
For temperatures up to 70° C and operating pressures up to 25 bar
- RV 277**     **Inlet check valve**  
In connection sizes R 3/4" – 1 1/4"
- VST 06**     **Connection set**  
With threaded or soldered connections  
A = threaded tailpiece  
B = soldered tailpiece



# FK 76 CS filter combinations - Service parts

1997 and onwards

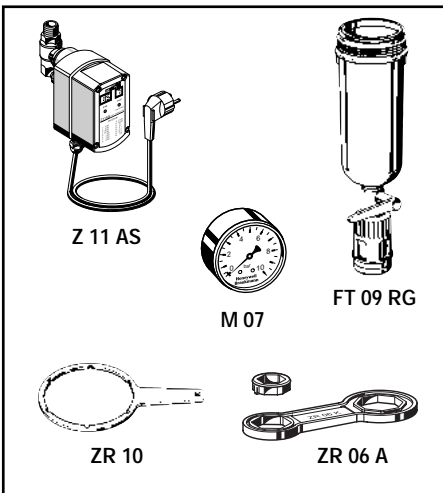
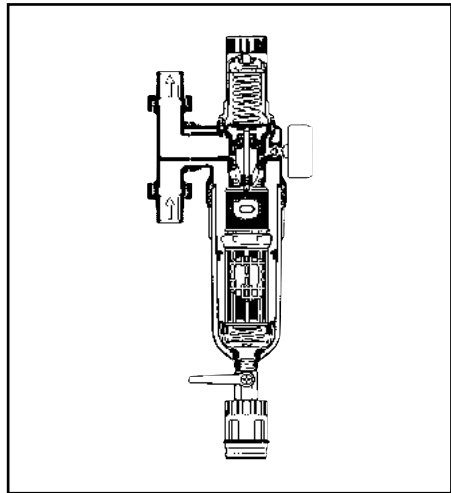
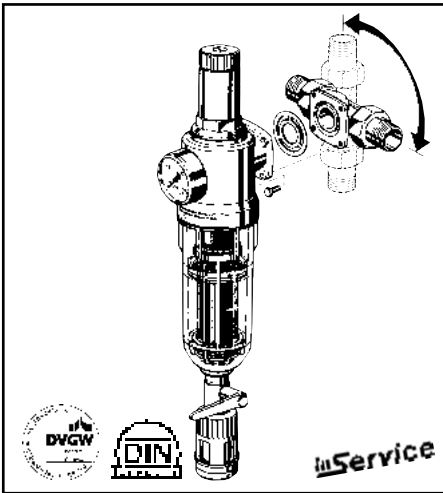


Subject to change

Description	Nominal size	Part number	
① Spring bonnet complete (with adjuster scale)	3/4" – 1 1/4"	0901517	
② Valve insert complete (without filter insert)	3/4" – 1 1/4"	D 06 FA - 1 A	
③ Seal ring set (pack of 10)	3/4"	0901444	
	1"	0901445	
	1 1/4"	0901446	
④ Pressure gauge	3/4" – 1 1/4"	M 07 K - A 10	
⑤ Flange seal	3/4" – 1 1/4"	5536400	
⑥ Filter insert complete lower/upper mesh size	105/135 µm	3/4" – 1 1/4"	AF 11 S - 1 A
	Filter mesh size 20 µm	3/4" – 1 1/4"	AF 11 S - 1 B
	Filter mesh size 50 µm	3/4" – 1 1/4"	AF 11 S - 1 C
	Filter mesh size 200 µm	3/4" – 1 1/4"	AF 11 S - 1 D
	Filter mesh size 300 µm	3/4" – 1 1/4"	AF 11 S - 1 E
	Filter mesh size 500 µm	3/4" – 1 1/4"	AF 11 S - 1 F
	⑦ O-ring set	3/4" – 1 1/4"	0900747
⑧ Clear filter bowl	3/4" – 1 1/4"	KF 11 S - 1 A	
⑨ Discharge connector	3/4" – 1 1/4"	AA 76 - 1/2 A	
⑩ Ball valve complete	3/4" – 1 1/4"	KH 11 S - 1 A	

# FK 76 C filter combinations

From 1991 to 1996

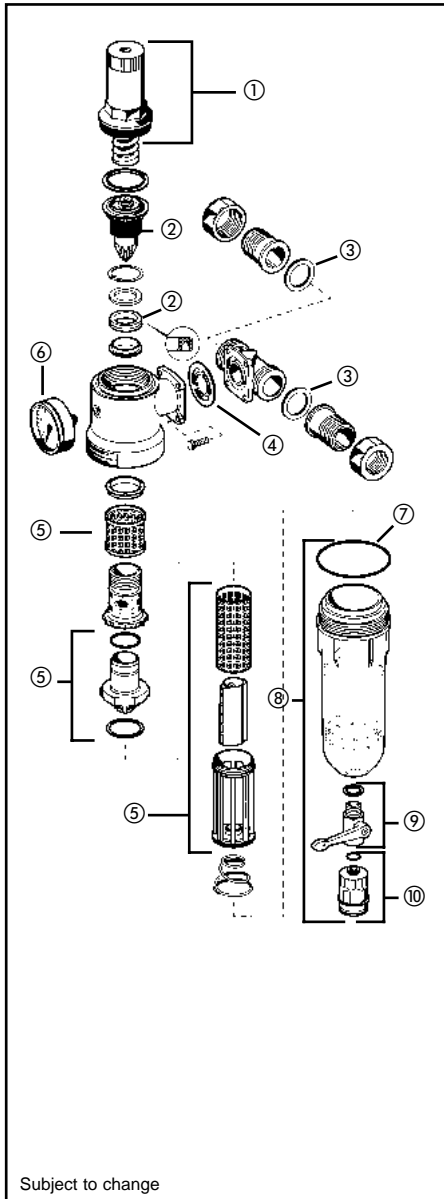


## Accessories

- ZR 06 A** Double ring wrench  
For removing spring bonnet
- Z 11 AS** Automatic reverse rinsing actuator  
For automatic reverse rinsing of the filter at adjustable time intervals
- FT 09 RG** Red bronze filter bowl  
For temperatures up to 70° C and operating pressures up to 25 bar
- ZR 10** Ring wrench  
For removing filter bowl
- M 07** Pressure gauge  
Housing Ø 63 mm, rear connection G ¼  
Ranges:  
0 – 4, 0 – 10, 0 – 16, 0 – 25 bar.  
Please state pressure range when ordering

# FK 76 C filter combinations - Service parts

From 1991 to 1996

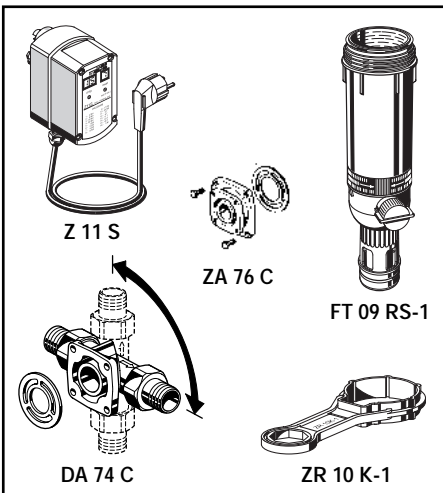
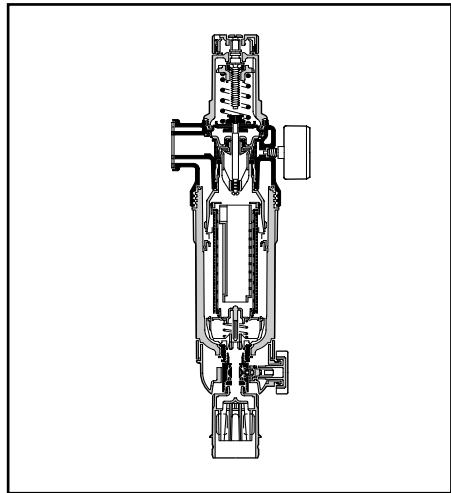
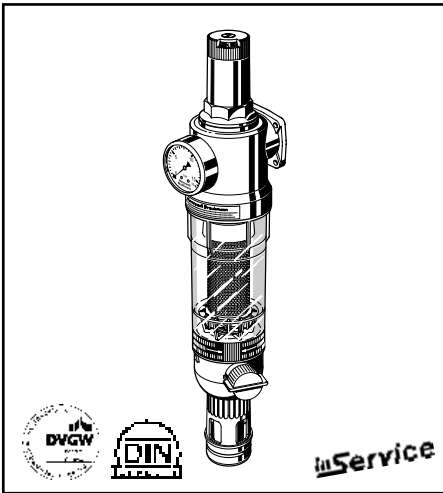


Subject to change

Description	Nominal size	Part number
① Spring bonnet complete	3/4" – 1 1/4"	0900153
② Valve insert complete (without filter insert)	3/4" – 1 1/4"	D 06 FA - 1 A
③ Seal ring (pack of 10)	3/4"	0901444
	1 1/4"	0901446
④ Flange seal	3/4" – 1 1/4"	5536400
⑤ Filter insert complete lower/upper mesh size	105/135 µm	3/4" – 1 1/4"
	Filter mesh size 20 µm	3/4" – 1 1/4"
	Filter mesh size 50 µm	3/4" – 1 1/4"
	Filter mesh size 200 µm	3/4" – 1 1/4"
⑥ Pressure gauge	3/4" – 1 1/4"	M 07 K - A 16
⑦ O-ring set	3/4" – 1 1/4"	0900747
⑧ Clear filter bowl	3/4" – 1 1/4"	KF 11 - 1 A
⑨ Ball valve	3/4" – 1 1/4"	KH 11 - 1/2 A
⑩ Discharge connector with lever and O-ring	3/4" – 1 1/4"	AA 76 - 1/2 A

# FKN 76 CS retrofit filter combinations

1997 and onwards



## Accessories

### Z 11 S Automatic reverse rinsing actuator

For automatic reverse rinsing of the filter at adjustable time intervals

### ZR 10 K-1 Double ring wrench

For removing filter bowl and spring bonnet

### FT 09 RS-1 Red bronze filter bowl

For temperatures up to 70° C and operating pressures up to 25 bar

### DA 74 C Rotatable connector piece

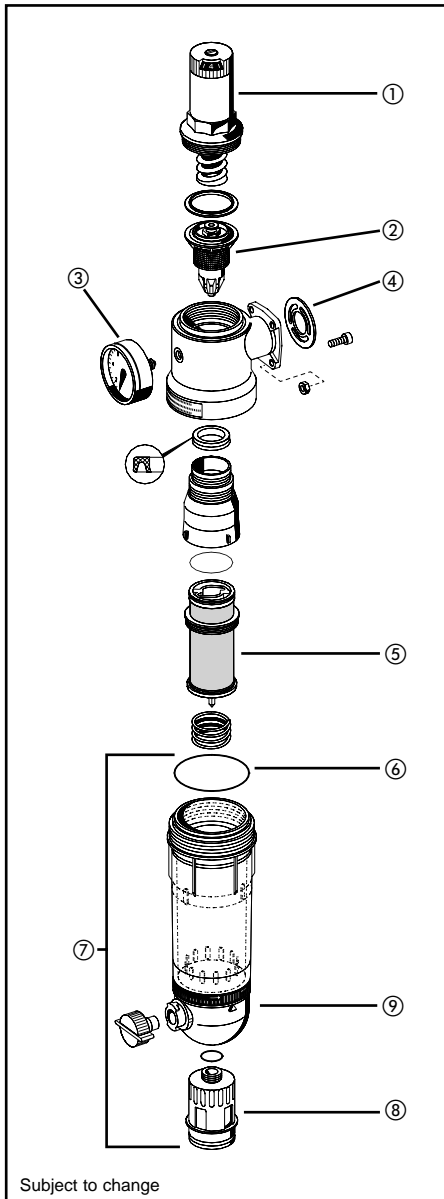
For connecting the FKN 76 CS retrofit filter combination

### ZA 76 C Intermediate connector

For conversion of filters with rotatable connector piece in sizes 1 1/4" and 1 1/2" (e.g. Cillit-clear filter type 77) to an FKN 76 CS retrofit filter combination (converts hole centres from 63 mm to 45 mm)

# FKN 76 CS retrofit filter combinations - Service parts

1997 and onwards

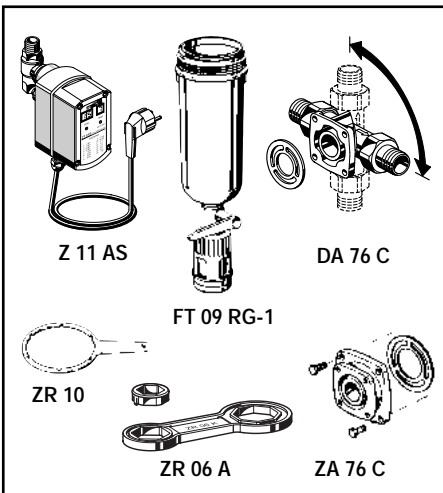
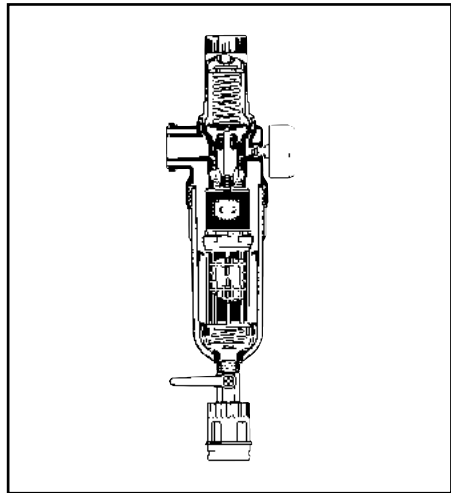
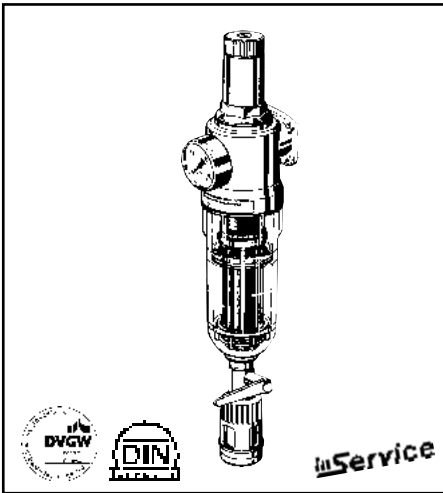


Subject to change

Description	Nominal size	Part number
① Spring bonnet complete (with adjuster scale)	3/4" – 1 1/4"	0901517
② Valve insert complete (without filter insert)	3/4" – 1 1/4"	D 06 FA - 1 A
③ Pressure gauge	3/4" – 1 1/4"	M 07 K - A 10
④ Flange seal	3/4" – 1 1/4"	5536400
⑤ Filter insert complete lower/upper mesh size		
105/135 µm	3/4" – 1 1/4"	AF 11 S - 1 A
Filter mesh size 20 µm	3/4" – 1 1/4"	AF 11 S - 1 B
Filter mesh size 50 µm	3/4" – 1 1/4"	AF 11 S - 1 C
Filter mesh size 200 µm	3/4" – 1 1/4"	AF 11 S - 1 D
Filter mesh size 300 µm	3/4" – 1 1/4"	AF 11 S - 1 E
Filter mesh size 500 µm	3/4" – 1 1/4"	AF 11 S - 1 F
⑥ O-ring set	3/4" – 1 1/4"	0900747
⑦ Clear filter bowl	3/4" – 1 1/4"	KF 11 S - 1 A
⑧ Discharge connector	3/4" – 1 1/4"	AA 76 - 1/2 A
⑨ Ball valve complete	3/4" – 1 1/4"	KH 11 S - 1 A

# FKN 76 C filter combinations

From 1991 to 1996

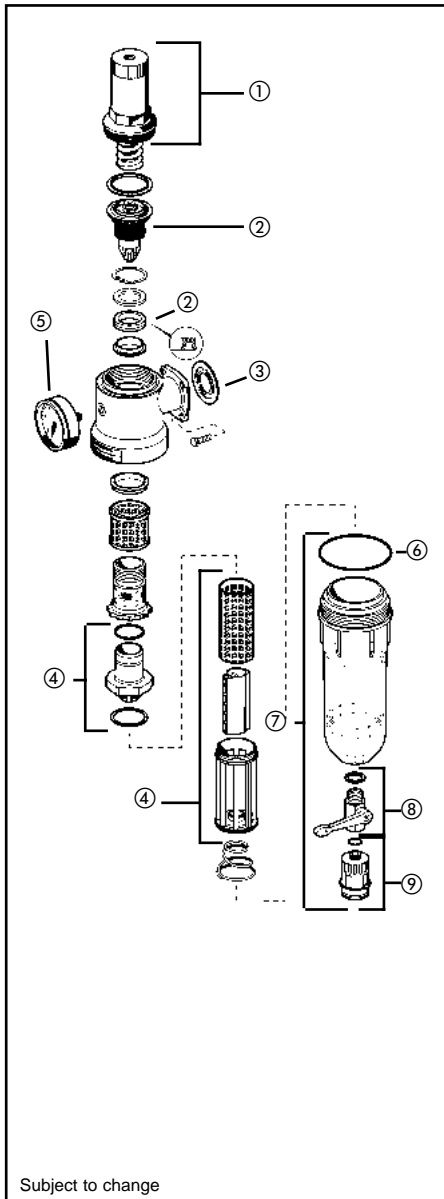


## Accessories

- ZR 06 A**     **Double ring wrench**  
For removing spring bonnet and filter bowl (all sizes)
  
- Z 11 AS**     **Automatic reverse rinsing actuator**  
For automatic reverse rinsing of the filter at adjustable time intervals
  
- ZA 76 C**     **Intermediate connector**  
For conversion of filters with rotatable connector piece in sizes 1" and 1 1/2" (e.g. Cillit-clear filter type 77) to an FN 76 C retrofit filter combination (converts hole centres from 63 mm to 45 mm)
  
- DA 76 C**     **Rotatable connector piece**  
For connecting the FN 76 C and FKN 76 C retrofit filter combinations
  
- FT 09 RG-1**     **Red bronze filter bowl**  
For temperatures up to 70° C and operating pressures up to 25 bar
  
- ZR 10**     **Ring wrench**  
For removing filter bowl

# FKN 76 C filter combination - Service parts

From 1991 to 1996

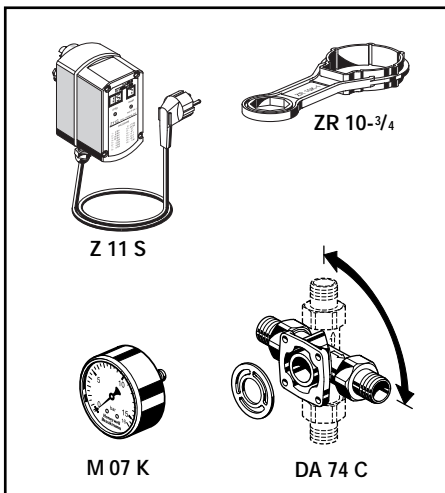
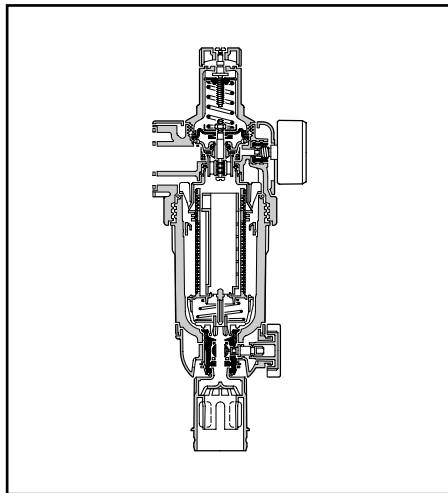
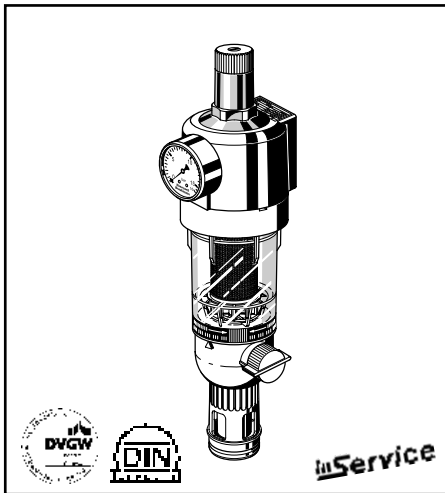


Description	Nominal size	Part number
① Spring bonnet complete	$\frac{3}{4}$ " - $1\frac{1}{4}$ "	0900153
② Valve insert complete (without filter insert)	$\frac{3}{4}$ " - $1\frac{1}{4}$ "	D 06 FA - 1 A
③ Flange seal	$\frac{3}{4}$ " - $1\frac{1}{4}$ "	5536400
④ Filter insert complete lower/upper mesh size 105/135 $\mu$ m	$\frac{3}{4}$ " - $1\frac{1}{4}$ "	AF11 - 1 A
Filter mesh size 20 $\mu$ m	$\frac{3}{4}$ " - $1\frac{1}{4}$ "	AF11 - 1 B
Filter mesh size 50 $\mu$ m	$\frac{3}{4}$ " - $1\frac{1}{4}$ "	AF11 - 1 C
Filter mesh size 200 $\mu$ m	$\frac{3}{4}$ " - $1\frac{1}{4}$ "	AF11 - 1 D
⑤ Pressure gauge	$\frac{3}{4}$ " - $1\frac{1}{4}$ "	M 07 K - A 16
⑥ O-ring set	$\frac{3}{4}$ " - $1\frac{1}{4}$ "	0900747
⑦ Clear filter bowl	$\frac{3}{4}$ " - $1\frac{1}{4}$ "	KF 11 - 1 A
⑧ Ball valve	$\frac{3}{4}$ " - $1\frac{1}{4}$ "	KH 11 - $\frac{1}{2}$ A
⑨ Discharge connector with lever and O-ring	$\frac{1}{2}$ " - 2"	AA 76 - $\frac{1}{2}$ A

Subject to change

# PRIMUS-FK filter combinations

1995 and onwards



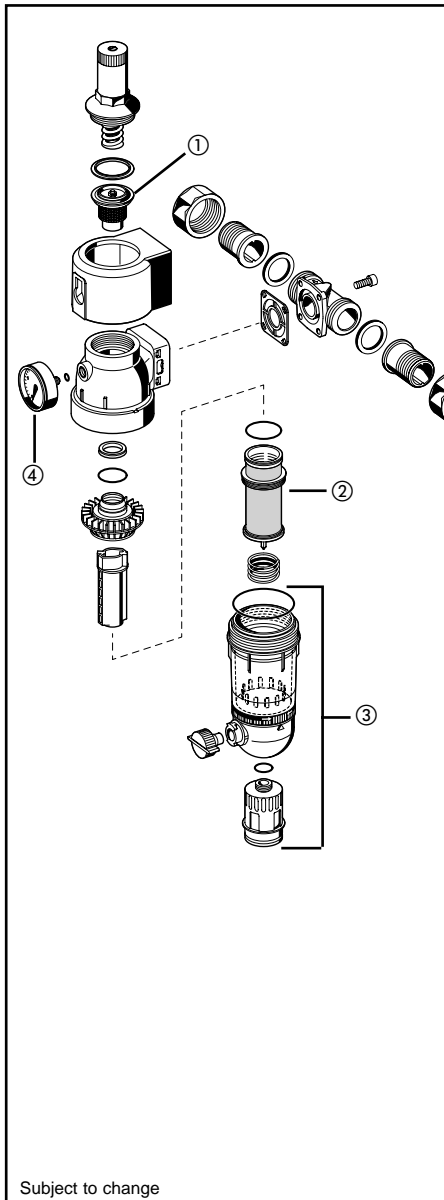
## Accessories

- Z 11 S**      **Automatic reverse rinsing actuator**  
For automatic reverse rinsing of the filter at adjustable time intervals
  
- ZR 10-<sup>3</sup>/<sub>4</sub>**      **Double ring wrench**  
For removing filter bowl
  
- M 07 K**      **Pressure gauge**  
Housing Ø 63 mm, rear connection G <sup>1</sup>/<sub>2</sub>  
Ranges:  
0 – 4, 0 – 10, 0 – 16, 0 – 25 bar.  
Please state pressure ranges when ordering
  
- DA 76 C**      **Rotatable connector piece**  
For connecting the FN 74 C and FKN 74 C retrofit filter



# PRIMUS-FK filter combinations - Service parts

1995 and onwards

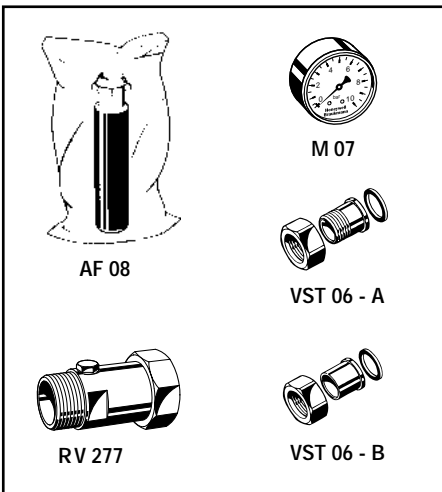
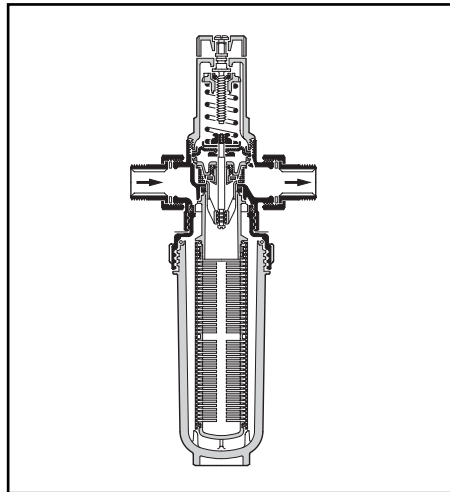
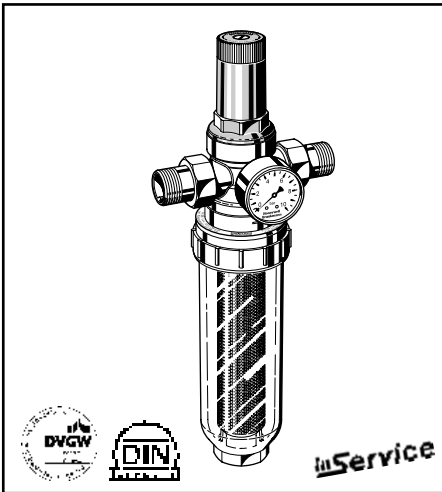


Description	Nominal size	Part number
① Valve insert complete	$\frac{3}{4}'' - 1\frac{1}{4}''$	D 06 FA - 1 B
② Filter insert complete lower/upper mesh size 90/110 $\mu\text{m}$	$\frac{3}{4}'' - 1\frac{1}{4}''$	AF 74 - 1 A
Filter mesh size 200 $\mu\text{m}$		AF 74 - 1 D
③ Clear filter bowl complete	$\frac{3}{4}'' - 1\frac{1}{4}''$	KF 74 - 1 A
④ Pressure gauge		M 07 K - A 16

Subject to change

# FK 08 filter combinations

1987 and onwards

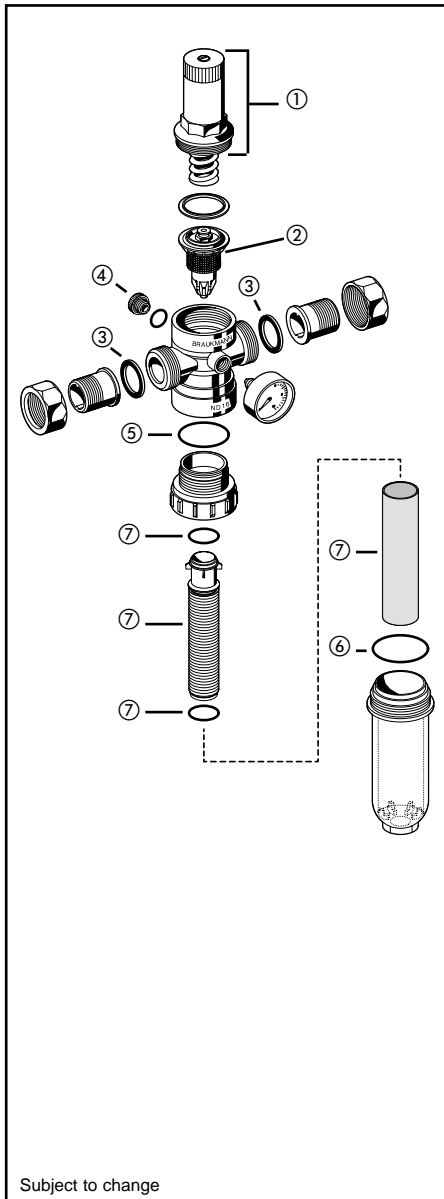


## Accessories

- AF 08** Exchange filter insert complete  
 Dependent upon degree of contamination it may be necessary to replace the filter more frequently than the normal standard six monthly interval.
- M 07** Pressure gauge  
 Housing Ø 63 mm, rear connection G 1/4"  
 Ranges:  
 0 – 4, 0 – 10, 0 – 16, 0 – 25 bar.  
 Please state pressure range when ordering.
- RV 277** Inlet check valve  
 For FK 08 with connection sizes R 3/4" – 1 1/4"
- VST 06** Connection set  
 With threaded or soldered connections  
 A = threaded tailpiece  
 B = soldered tailpiece

# FK 08 filter combinations - Service parts

1987 and onwards



Subject to change

Description	Nominal size	Part number
① Spring bonnet complete	$\frac{1}{2}'' + \frac{3}{4}''$	0900152
	$1'' + 1\frac{1}{4}''$	0900153
② Valve insert complete (without filter insert)	$\frac{1}{2}'' + \frac{3}{4}''$	D 06 FA - $\frac{1}{2}$
	$1'' + 1\frac{1}{4}''$	D 06 FA - 1 A
③ Seal ring set (pack of 10)	$\frac{1}{2}''$	0901443
	$\frac{3}{4}''$	0901444
	$1''$	0901445
	$1\frac{1}{4}''$	0901446
④ Blanking plug set with O-ring R $\frac{1}{4}''$ (pack of 5)	$\frac{1}{2}'' - 1\frac{1}{4}''$	S 06 K - $\frac{1}{4}$
⑤ O-ring set (pack of 10)	$\frac{1}{2}'' + \frac{3}{4}''$	0901246
	$1'' + 1\frac{1}{4}''$	0901247
⑥ O-ring set (pack of 10)	$\frac{1}{2}'' + \frac{3}{4}''$	0900746
	$1'' + 1\frac{1}{4}''$	0900747
⑦ Filter insert complete lower/upper mesh size 105/135 $\mu$ m	$\frac{1}{2}'' + \frac{3}{4}''$	AF 08 - $\frac{1}{2}$ A
	$1'' + 1\frac{1}{4}''$	AF 08 - 1 A

---

# Filter combinations - What to do if...

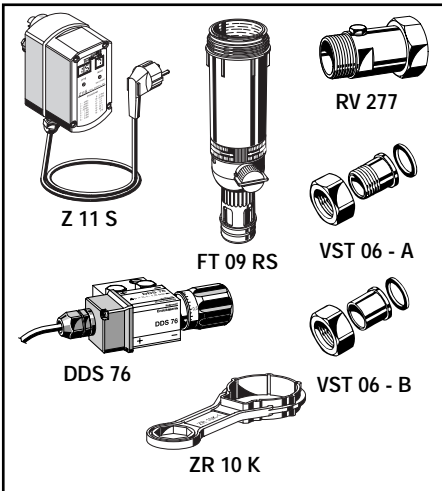
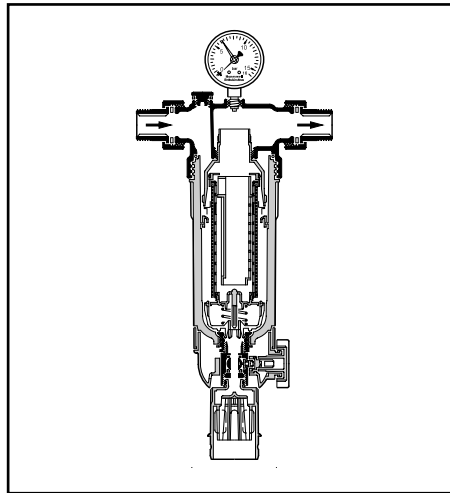
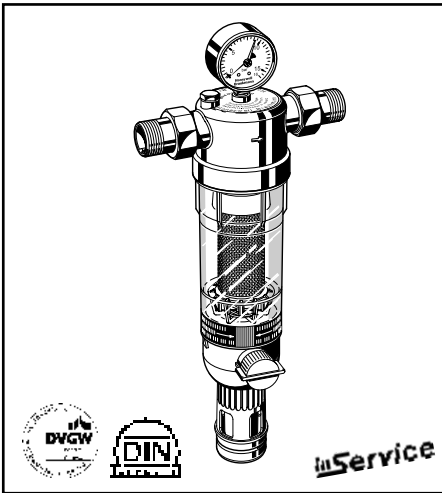
Problem	Cause	Solution
Hammering noises	<ul style="list-style-type: none"><li>– Integral check valve in water metering system is hammering</li><li>– Loose and therefore vibrating valve disc in shutoff devices</li><li>– Air pocket in redundant or little used sections of the circuit</li><li>– Rapidly closing flushing valve</li><li>– Solenoid valves on dishwashing or washing machines</li><li>– Filter combination oversized</li><li>– Anti-vacuum or venting valve not working</li></ul>	<ul style="list-style-type: none"><li>– Remove or carry out service on check valve after consulting water supplier</li><li>– Check shutoff devices and carry out maintenance service if necessary</li><li>– Vent</li><li>– Check flushing valve and replace if necessary</li><li>– Fit shock arrestor (e.g. Flamco) in the supply to the valve</li><li>– Call Honeywell customer service</li><li>– Carry out maintenance service</li></ul>
Water comes out of the spring bonnet	<ul style="list-style-type: none"><li>– Faulty diaphragm in valve insert</li></ul>	<ul style="list-style-type: none"><li>– Disassemble pressure reducing valve and replace valve insert</li></ul>

# Filter combinations - What to do if...

Problem	Cause	Solution
No, or too little water pressure	<ul style="list-style-type: none"> <li>- Shutoff valve before and/or after filter combination not fully open</li> <li>- Filter in water meter system dirty</li> <li>- Valve cone in flow regulating valve blocked</li> <li>- Pressure reducing valve not set to the correct value</li> <li>- Dirty filter</li> <li>- Main filter does not change over to reverse rinsing position</li> <li>- Filter combination fitted wrong way round</li> </ul>	<ul style="list-style-type: none"> <li>- Fully open shutoff valves</li> <li>- Clean filter</li> <li>- Carry out service on flow regulating valve</li> <li>- Set pressure reducing valve using ribbed adjuster knob</li> <li>- Actuate reverse rinsing</li> <li>- Undo filter bowl, clean filter and if necessary replace. Lubricate O-ring</li> <li>- Fit filter combination in correct flow direction</li> </ul>
Set outlet pressure does not remain constant - Unwanted pressure rise	<ul style="list-style-type: none"> <li>- Water expanding from water heater (also see „unwanted pressure rise“ in miscellaneous section)</li> <li>- D 06 FA pressure reducing valve insert dirty or worn</li> <li>- Pressure rise via a crossover because of a downstream pump booster or other cause of pressure increase</li> </ul>	<ul style="list-style-type: none"> <li>- Close shutoff valve to water heater. Open hot water outlet. <b>Does the pressure now remain constant?</b> → Cause is expansion from water heater. <b>Does pressure still rise?</b> → Then pressure reducing valve is faulty</li> <li>- Test check valve upstream of water heater and if appropriate also single lever mixer tap</li> <li>- Replace and lubricate D 06 FA pressure reducing valve insert with fluted ring</li> <li>- Check system</li> </ul>

# F 76 S fine filters

1997 and onwards

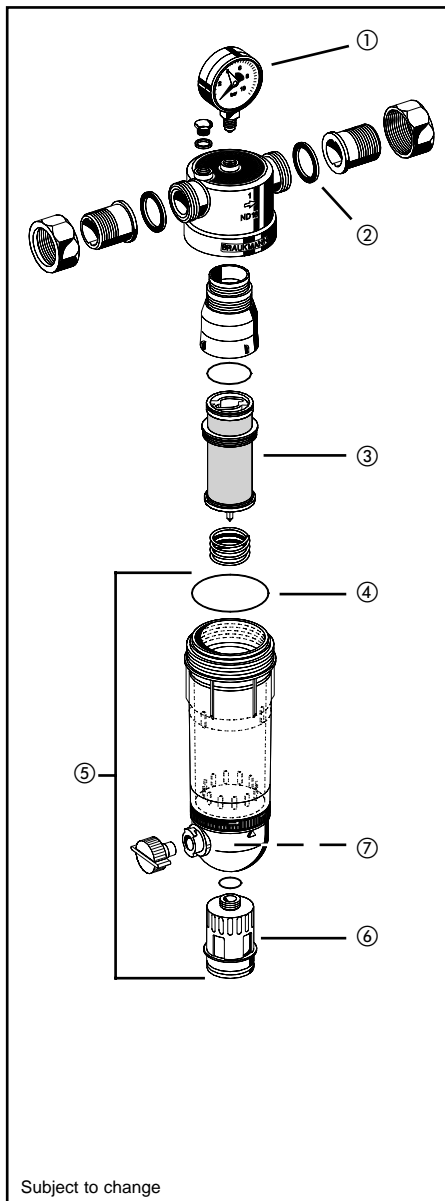


## Accessories

- Z 11 S**      **Automatic reverse rinsing actuator**  
For automatic reverse rinsing of the filter at adjustable time intervals
- ZR 10 K**    **Ring wrench**  
For removing filter bowl
- FT 09 RS**   **Red bronze filter bowl**  
For temperatures up to 70° C and operating pressures up to 25 bar
- RV 277**      **Inlet check valve**  
In sizes R 1/2" - 2"
- VST 06**      **Connection set**  
With threaded or soldered connections  
A = threaded tailpiece  
B = soldered tailpiece
- DDS 76**      **Differential pressure switch**

# F 76 S fine filters - Service parts

1997 and onwards

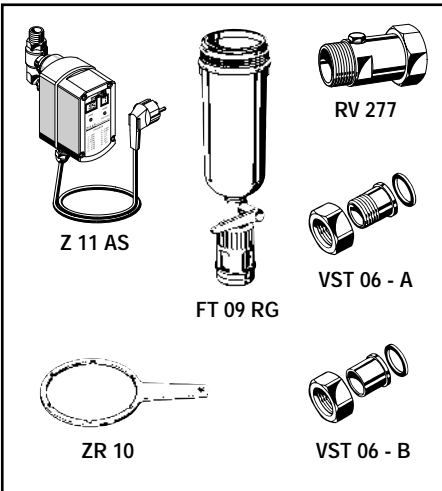
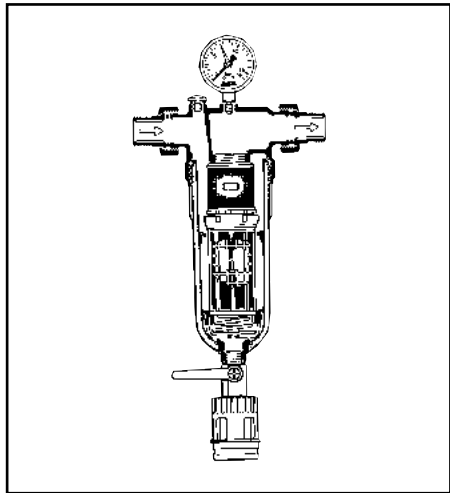
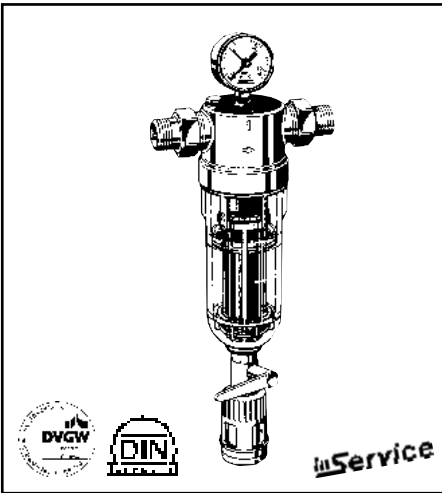


Subject to change

Description	Nominal size	Part number
① Pressure gauge	1/2" - 2"	M 76 K - A 16
② Seal ring set (pack of 10)	1/2" + 3/4"	0901444
	1"	0901445
	1 1/4"	0901446
	1 1/2"	0901447
	2"	0901448
③ Filter insert complete lower/upper	mesh size	
	105/135 µm	AF 11 S - 1 A
	1 1/2" - 2"	AF 11 S - 1 1/2 A
	Filter mesh size	
	20 µm	AF 11 S - 1 B
	1 1/2" - 2"	AF 11 S - 1 1/2 B
	Filter mesh size	
	50 µm	AF 11 S - 1 C
	1 1/2" - 2"	AF 11 S - 1 1/2 C
	Filter mesh size	
200 µm	AF 11 S - 1 D	
1 1/2" - 2"	AF 11 S - 1 1/2 D	
Filter mesh size		
300 µm	AF 11 S - 1 E	
1 1/2" - 2"	AF 11 S - 1 1/2 E	
Filter mesh size		
500 µm	AF 11 S - 1 F	
1 1/2" - 2"	AF 11 S - 1 1/2 F	
④ O-ring set (pack of 10)	1/2" - 1 1/4"	0900747
	1 1/2" - 2"	0900748
⑤ Clear filter bowl	1/2" - 1 1/4"	KF 11 S - 1 A
	1 1/2" - 2"	KF 11 S - 1 1/2 A
⑥ Discharge connector	1/2" - 2"	AA 76 - 1/2 A
⑦ Ball valve complete	1/2" - 2"	KH 11 S - 1 A

# F 76 fine filters

From 1981 to 1996



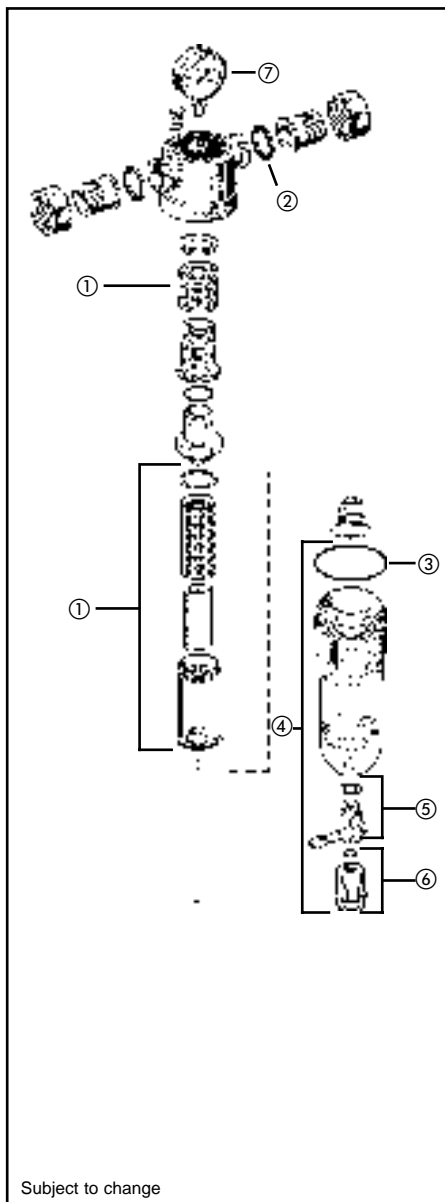
## Accessories

- Z 11 AS**     **Automatic reverse rinsing actuator**  
For automatic reverse rinsing of the filter at adjustable time intervals
- ZR 10**     **Ring wrench**  
For removing filter bowl
- RV 277**     **Inlet check valve**  
For F 76 in sizes R 3/4"– 2"
- VST 06**     **Connection set**  
With threaded or soldered connections  
A = threaded tailpiece  
B = soldered tailpiece
- FT 09 RG**     **Red bronze filter bowl**  
For temperatures up to 70° C and operating pressures up to 25 bar



# F 76 fine filters - Service parts

From 1981 to 1996

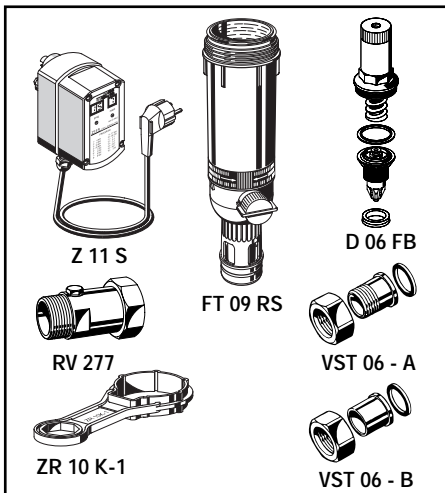
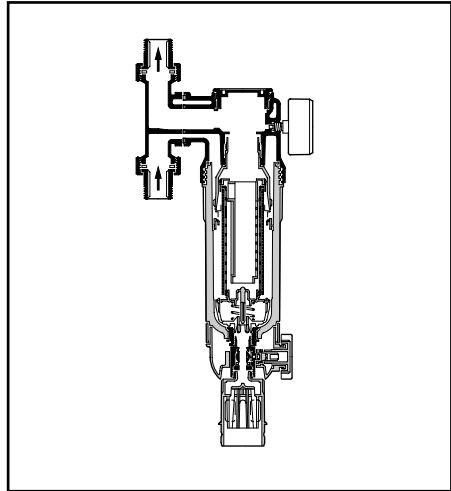
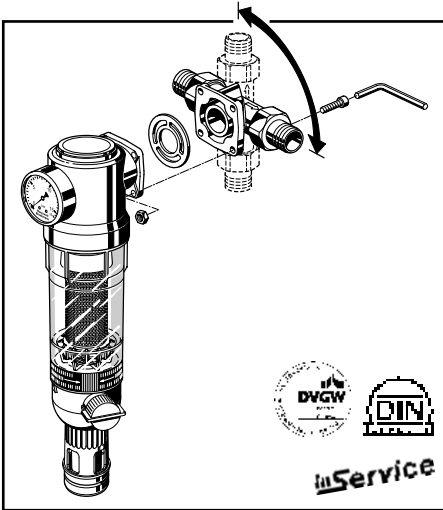


Description	Nominal size	Part number
① Filter insert complete		
lower/upper	$\frac{1}{2}'' + \frac{3}{4}''$	AF 11 - $\frac{1}{2}$ A
mesh size	$1'' + 1\frac{1}{4}''$	AF 11 - 1 A
105/135 $\mu$ m	$1\frac{1}{2}'' + 2''$	AF 11 - $1\frac{1}{2}$ A
Filter mesh size	$\frac{1}{2}'' + \frac{3}{4}''$	AF 11 - $\frac{1}{2}$ B
20 $\mu$ m	$1'' + 1\frac{1}{4}''$	AF 11 - 1 B
	$1\frac{1}{2}'' + 2''$	AF 11 - $1\frac{1}{2}$ B
Filter mesh size	$\frac{1}{2}'' + \frac{3}{4}''$	AF 11 - $\frac{1}{2}$ C
50 $\mu$ m	$1'' + 1\frac{1}{4}''$	AF 11 - 1 C
	$1\frac{1}{2}'' + 2''$	AF 11 - $1\frac{1}{2}$ C
Filter mesh size	$\frac{1}{2}'' + \frac{3}{4}''$	AF 11 - $\frac{1}{2}$ D
200 $\mu$ m	$1'' + 1\frac{1}{4}''$	AF 11 - 1 D
	$1\frac{1}{2}'' + 2''$	AF 11 - $1\frac{1}{2}$ D
② Seal ring	$\frac{1}{2}'' + \frac{3}{4}''$	0901444
(pack of 10)	1"	0901445
	$1\frac{1}{4}''$	0901446
	$1\frac{1}{2}''$	0901447
	2"	0901448
③ O-ring set	$\frac{1}{2}'' + \frac{3}{4}''$	0900746
(pack of 10)	$1'' + 1\frac{1}{4}''$	0900747
	$1\frac{1}{2}'' + 2''$	0900748
④ Clear filter bowl	$\frac{1}{2}''$	KF 11 - $\frac{1}{2}$ A
	1"	KF 11 - 1 A
	$1\frac{1}{2}''$	KF 11 - $1\frac{1}{2}$ A
⑤ Ball valve	$\frac{1}{2}'' - 1\frac{1}{4}''$	KH 11 - $\frac{1}{2}$ A
	$1\frac{1}{2}'' + 2''$	KH 11 - $1\frac{1}{2}$ A
⑥ Discharge connector with lever and O-ring	$\frac{1}{2}'' - 2''$	AA 76 - $\frac{1}{2}$ A
⑦ Pressure gauge	$\frac{1}{2}'' - 2''$	M 76 K - A 16

Subject to change

# F 76 CS fine filters

1997 and onwards

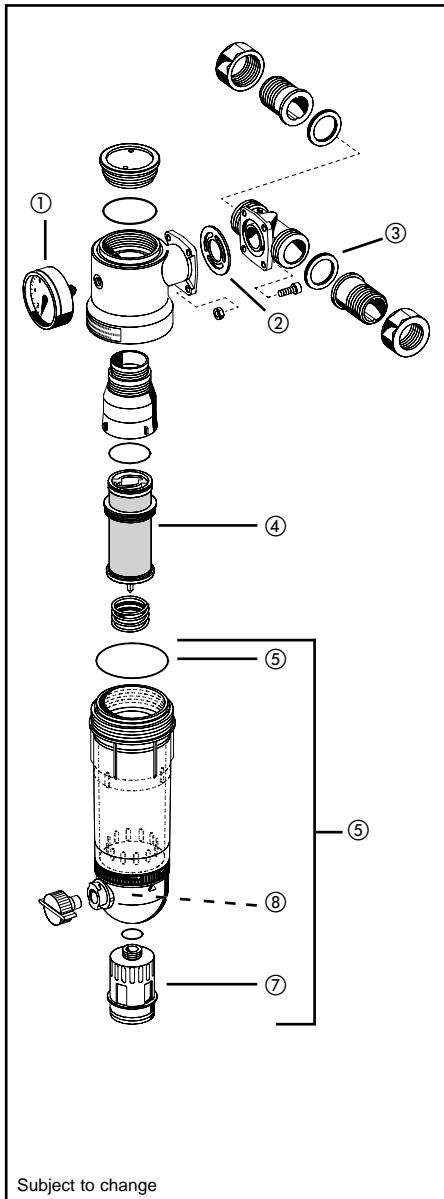


## Accessories

- Z 11 S**     **Automatic reverse rinsing actuator**  
For automatic reverse rinsing of the filter at adjustable time intervals
- ZR 10 K-1**     **Ring wrench**  
For removing filter bowl
- FT 09 RS**     **Red bronze filter bowl**  
For temperatures up to 70° C and operating pressures up to 25 bar
- D 06 FB**     **Retrofit pressure reducing valve to convert F 76 CS fine filter to a filter combination**
- RV 277**     **Inlet check valve**  
In sizes R 1/2"– 2"
- VST 06**     **Connection set**  
With threaded or soldered connections  
A = threaded tailpiece  
B = soldered tailpiece

# F 76 CS fine filters - Service parts

1997 and onwards

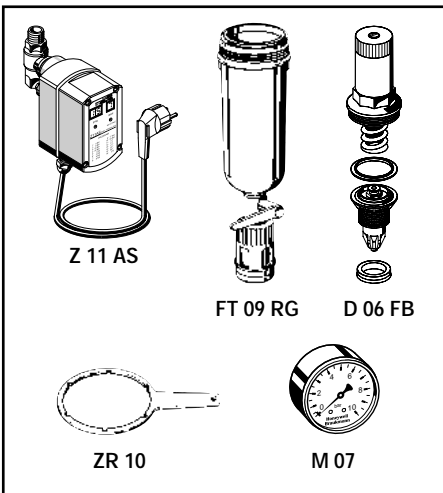
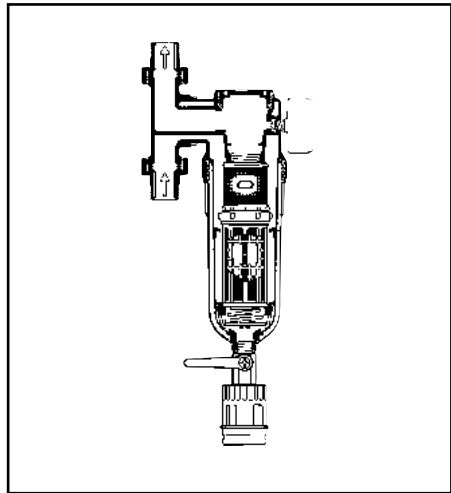
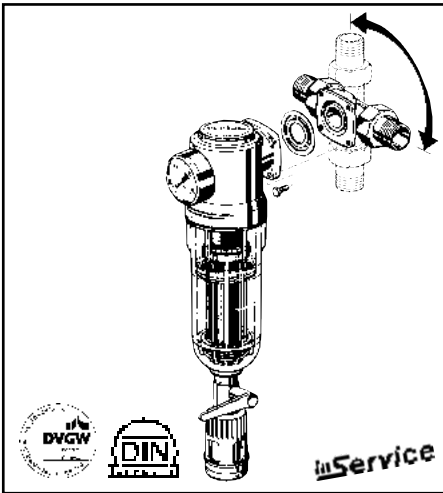


Subject to change

Description	Nominal size	Part number	
① Pressure gauge (0 – 16 bar)	3/4" – 1 1/4"	M 07 K - A 16	
Pressure gauge (0 – 25 bar)	3/4" – 1 1/4"	M 07 K - A 25	
② Flange seal	3/4" – 1 1/4"	5536400	
③ Seal ring set (pack of 10)	3/4"	0901444	
	1"	0901445	
④ Filter insert complete lower/upper mesh size	105/135 µm	3/4" – 1 1/4"	AF 11 S - 1 A
	Filter mesh size 20 µm	3/4" – 1 1/4"	AF 11 S - 1 B
	Filter mesh size 50 µm	3/4" – 1 1/4"	AF 11 S - 1 C
	Filter mesh size 200 µm	3/4" – 1 1/4"	AF 11 S - 1 D
	Filter mesh size 300 µm	3/4" – 1 1/4"	AF 11 S - 1 E
	Filter mesh size 500 µm	3/4" – 1 1/4"	AF 11 S - 1 F
⑤ O-ring set	3/4" – 1 1/4"	0900747	
⑥ Clear filter bowl	3/4" – 1 1/4"	KF 11 S - 1 A	
⑦ Discharge connection	3/4" – 1 1/4"	AA 76 - 1/2 A	
⑧ Ball valve complete	3/4" – 1 1/4"	KH 11 S - 1 A	

# F 76 C fine filters

From 1991 to 1996

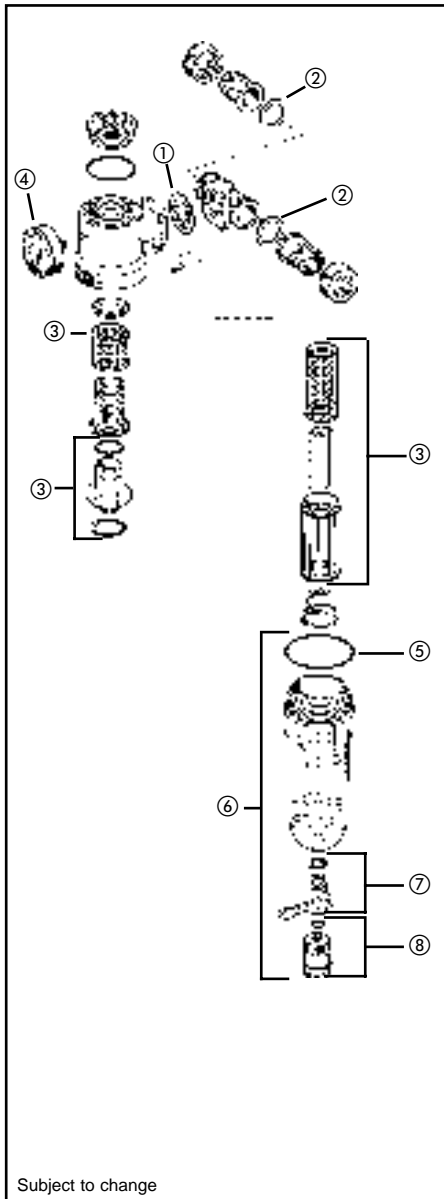


## Accessories

- Z 11 AS**     **Automatic reverse rinsing actuator**  
 For automatic reverse rinsing of the filter at adjustable time intervals
- D 06 FB**     **Retrofit pressure reducing valve**  
 For fitting when a subsequent increase in supply pressure occurs
- FT 09 RG**     **Red bronze filter bowl**  
 For temperatures up to 70° C and operating pressures up to 25 bar, with ball valve
- M 07**     **Pressure gauge**  
 Housing Ø 63 mm, rear connection G 1/4"  
 Ranges:  
 0 – 4, 0 – 10, 0 – 16, 0 – 25 bar.  
 Please state pressure range when ordering
- ZR 10**     **Ring wrench**  
 For removing filter bowl

# F 76 C fine filters - Service parts

From 1991 to 1996

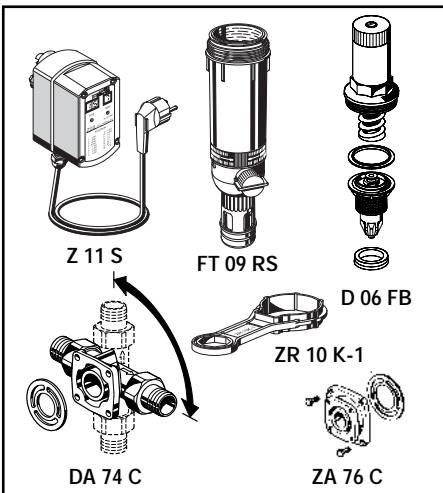
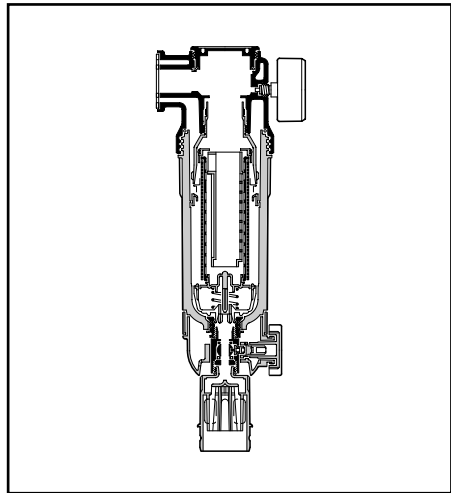
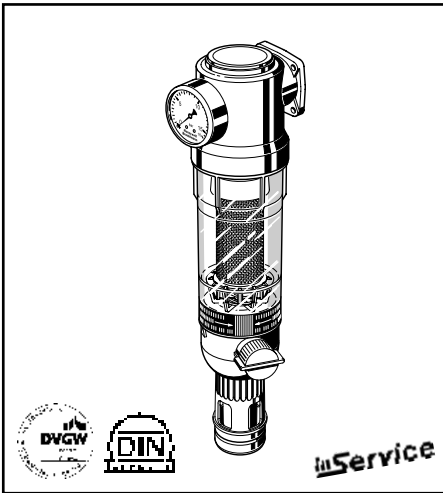


Description	Nominal size	Part number	
① Flange seal	$\frac{3}{4}$ " - $1\frac{1}{4}$ "	5536400	
② Seal ring set (pack of 10)	$\frac{3}{4}$ "	0901444	
	1"	0901445	
	$1\frac{1}{4}$ "	0901446	
③ Filter insert complete lower/upper mesh size	105/135 $\mu$ m	$\frac{3}{4}$ " - $1\frac{1}{4}$ "	AF 11 - 1 A
	Filter mesh size 20 $\mu$ m	$\frac{3}{4}$ " - $1\frac{1}{4}$ "	AF 11 - 1 B
	Filter mesh size 50 $\mu$ m	$\frac{3}{4}$ " - $1\frac{1}{4}$ "	AF 11 - 1 C
	Filter mesh size 200 $\mu$ m	$\frac{3}{4}$ " - $1\frac{1}{4}$ "	AF 11 - 1 D
④ Pressure gauge	$\frac{3}{4}$ " - $1\frac{1}{4}$ "	M 07 K - A 16	
⑤ O-ring set	$\frac{3}{4}$ " - $1\frac{1}{4}$ "	0900747	
⑥ Clear filter bowl	$\frac{3}{4}$ " - $1\frac{1}{4}$ "	KF 11 - 1 A	
⑦ Ball valve	$\frac{3}{4}$ " - $1\frac{1}{4}$ "	KH 11 - $\frac{1}{2}$ A	
⑧ Discharge connector with lever and O-ring	$\frac{3}{4}$ " - $1\frac{1}{4}$ "	AA 76 - $\frac{1}{2}$ A	

Subject to change

# FN 76 CS retrofit fine filters

From 1997 onwards

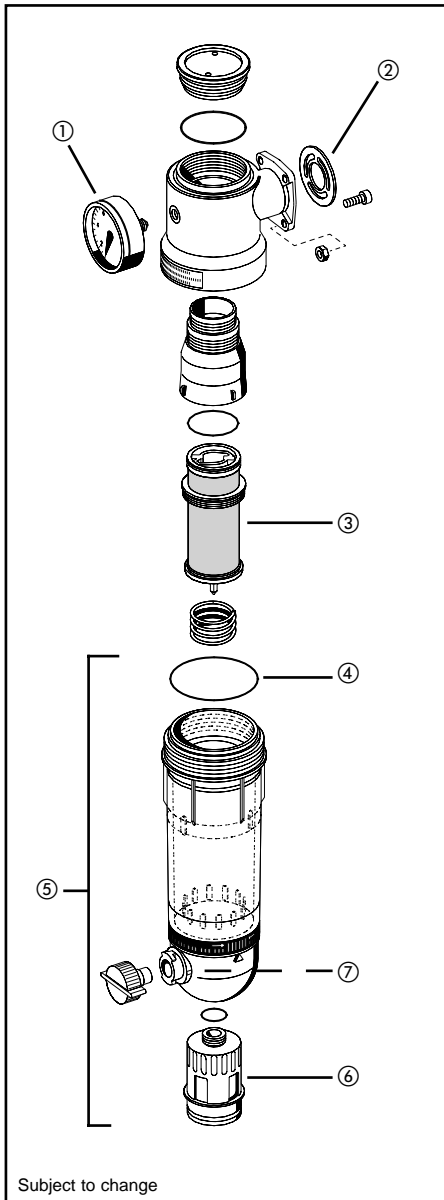


## Accessories

- Z 11 S**     **Automatic reverse rinsing actuator**  
For automatic reverse rinsing of the filter at adjustable time intervals
- ZR 10 K-1**     **Double ring wrench**  
For removing filter bowl
- FT 09 RS**     **Red bronze filter bowl**  
For temperatures up to 70° C and operating pressures up to 25 bar
- D 06 FB**     **Retrofit pressure reducing valve**  
For converting F 76 CS filter to a filter combination
- DA 76 C**     **Rotatable connector piece**  
For connecting the FKN 76 CS retrofit filter combination
- ZA 76 C**     **Intermediate connector**  
For conversion of filters with rotatable connector piece in sizes 1 1/4" and 1 1/2" (e.g. Cillit-clear filter type 77) to an FKN 76 CS retrofit filter combination (converts hole centres from 63 mm to 45 mm)

# FN 76 CS retrofit fine filters - Service parts

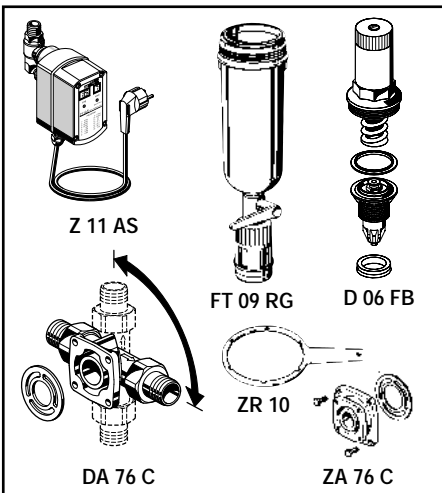
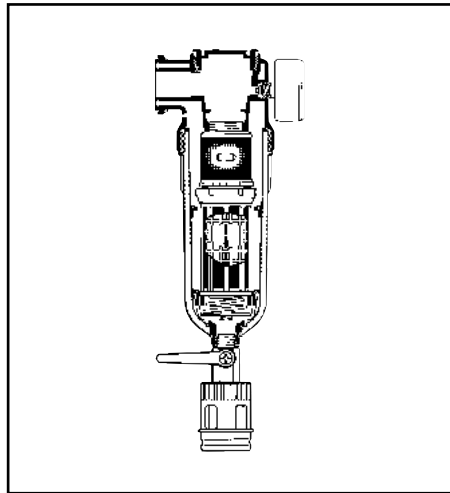
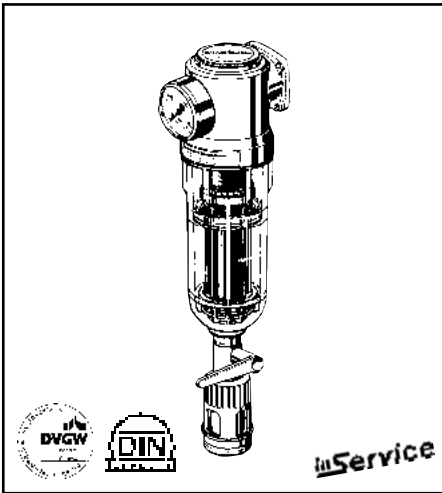
1997 and onwards



Description	Nominal size	Part number
① Pressure gauge (0-16 bar)	3/4" - 1 1/4"	M 07 K - A 16
Pressure gauge (0-25 bar)	3/4" - 1 1/4"	M 07 K - A 25
② Flange seal	3/4" - 1 1/4"	5536400
③ Filter insert complete		
lower/upper mesh size		
105/135 µm	3/4" - 1 1/4"	AF 11 S - 1 A
Filter mesh size 20 µm	3/4" - 1 1/4"	AF 11 S - 1 B
Filter mesh size 50 µm	3/4" - 1 1/4"	AF 11 S - 1 C
Filter mesh size 200 µm	3/4" - 1 1/4"	AF 11 S - 1 D
Filter mesh size 300 µm	3/4" - 1 1/4"	AF 11 S - 1 E
Filter mesh size 500 µm	3/4" - 1 1/4"	AF 11 S - 1 F
④ O-ring set	3/4" - 1 1/4"	0900747
⑤ Clear filter bowl	3/4" - 1 1/4"	KF 11 S - 1 A
⑥ Discharge connector	3/4" - 1 1/4"	AA 76 - 1/2 A
⑦ Ball valve complete	3/4" - 1 1/4"	KH 11 S - 1 A

# FN 76 C fine filters

From 1991 to 1996



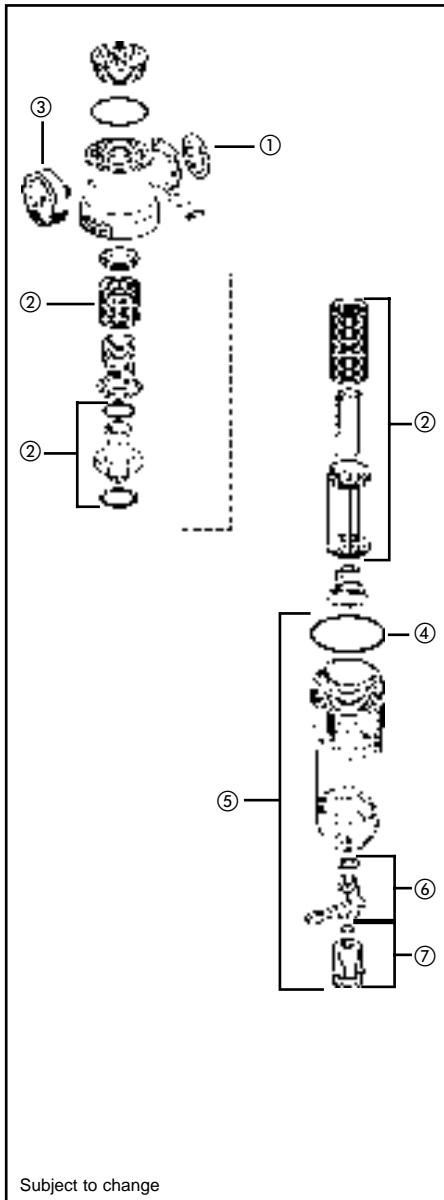
## Accessories

- Z 11 A S**    **Automatic reverse rinsing actuator**  
For automatic reverse rinsing of the filter at adjustable time intervals
- ZA 76 C**    **Intermediate connector**  
For conversion of filters with rotatable connector piece in sizes 1 1/4" und 1 1/2" (e.g. Cillit-clear filter type 77) to an FKN 76 CS retrofit filter combination (converts hole centres from 63 mm to 45 mm)
- DA 76 C**    **Rotatable connector piece**  
For connecting the FN 76 C and FKN 76 C retrofit filters
- D 06 FB**    **Retrofit pressure reducing valve**  
For fitting when a subsequent increase in supply pressure occurs.
- FT 09 RS**    **Red bronze filter bowl**  
For temperatures up to 70° C and operating pressures up to 25 bar. With ball valve
- ZR 10**        **Ring wrench**  
For removing filter bowl



# FN 76 C fine filters - Service parts

From 1991 to 1996

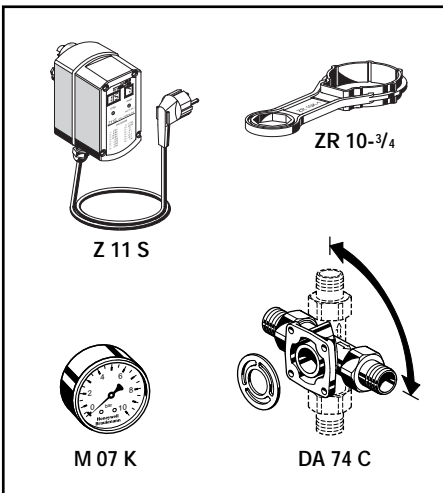
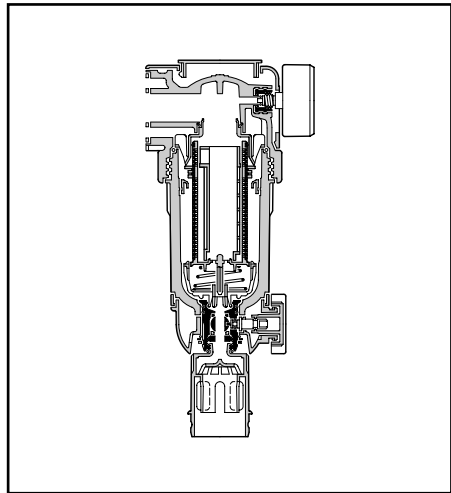
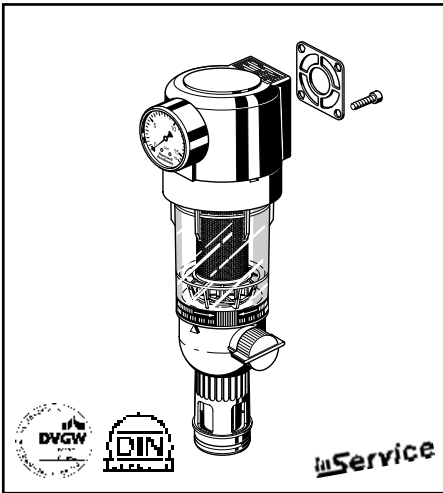


Subject to change

Description	Nominal size	Part number
① Flange seal	3/4" - 1 1/4"	5536400
② Filter insert complete lower/upper mesh size 105/135 µm	3/4" - 1 1/4"	AF 11 - 1 A
Filter mesh size 20 µm	3/4" - 1 1/4"	AF 11 - 1 B
Filter mesh size 50 µm	3/4" - 1 1/4"	AF 11 - 1 C
Filter mesh size 200 µm	3/4" - 1 1/4"	AF 11 - 1 D
③ Pressure gauge	3/4" - 1 1/4"	M 07 K - A 16
④ O-ring set	3/4" - 1 1/4"	0900747
⑤ Clear filter bowl	3/4" - 1 1/4"	KF 11 - 1 A
⑥ Ball valve	3/4" - 1 1/4"	KH 11 - 1/2 A
⑦ Discharge connector with ball valve and O-ring	3/4" - 1 1/4"	AA 76 - 1/2 A

# PRIMUS-F fine filters

1995 and onwards

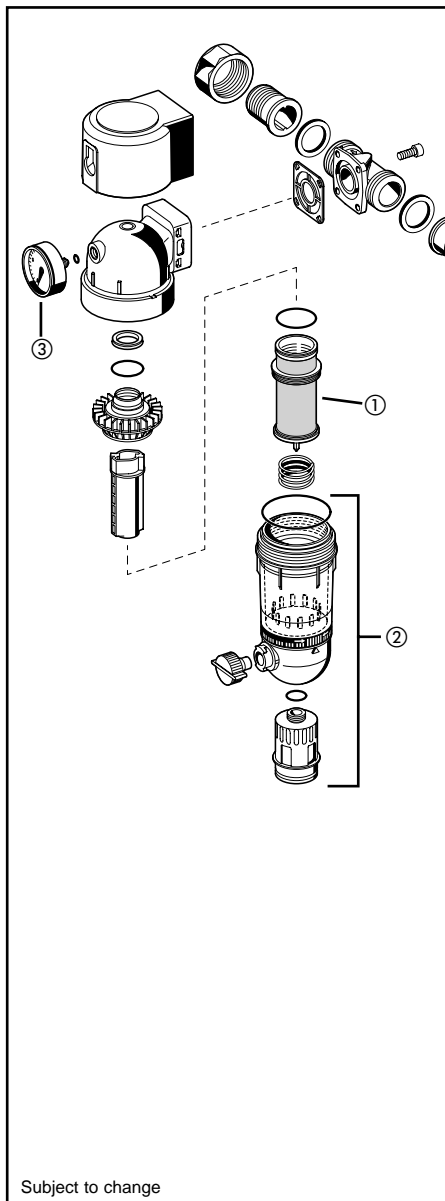


## Accessories

- Z 11 S**     **Automatic reverse rinsing actuator**  
 For automatic reverse rinsing of the filter at adjustable time intervals
- ZR 10-3/4**     **Double ring wrench**  
 For removing filter bowl
- M 07 K**     **Pressure gauge**  
 Housing  $\varnothing$  63 mm, rear connection G  $\frac{1}{2}$   
 Ranges:  
 0 – 4, 0 – 10, 0 – 16, 0 – 25 bar.  
 Please state pressure range when ordering
- DA 74 C**     **Rotatable connector piece**  
 For connecting the FN 74 C and FKN 74 C retrofit filter

# PRIMUS-F fine filters - Service parts

1995 and onwards

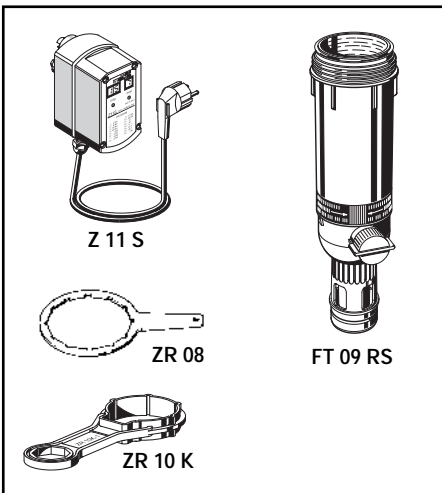
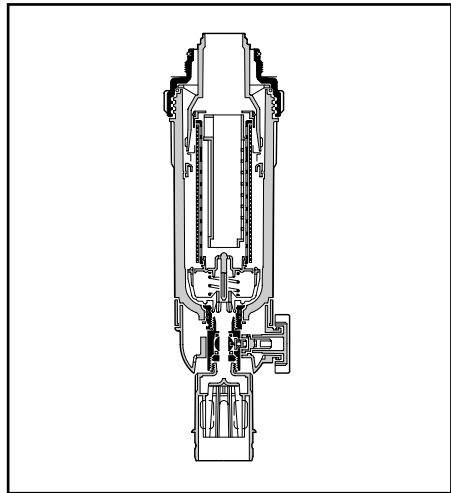
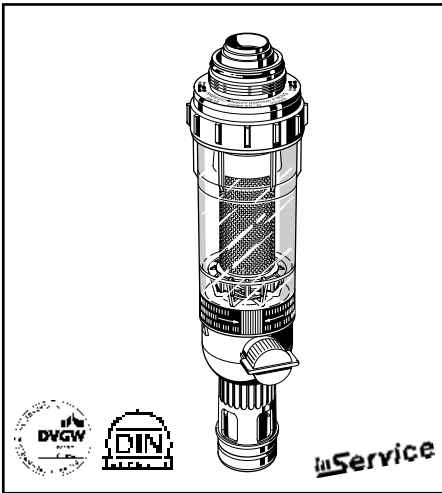


Description	Nominal size	Part number
① Filter insert complete lower/upper mesh size 90/110 µm	3/4" - 1 1/4"	AF 74 - 1 A
Filter mesh size 200 µm	3/4" - 1 1/4"	AF 74 - 1 D
② Clear filter bowl complete	3/4" - 1 1/4"	KF 74 - 1 A
③ Pressure gauge Housing Ø 63 mm rear connection G 1/4	3/4" - 1 1/4"	M 07 K - A 16

Subject to change

# FN 09 S HABEDO® retrofit filters

1997 and onwards

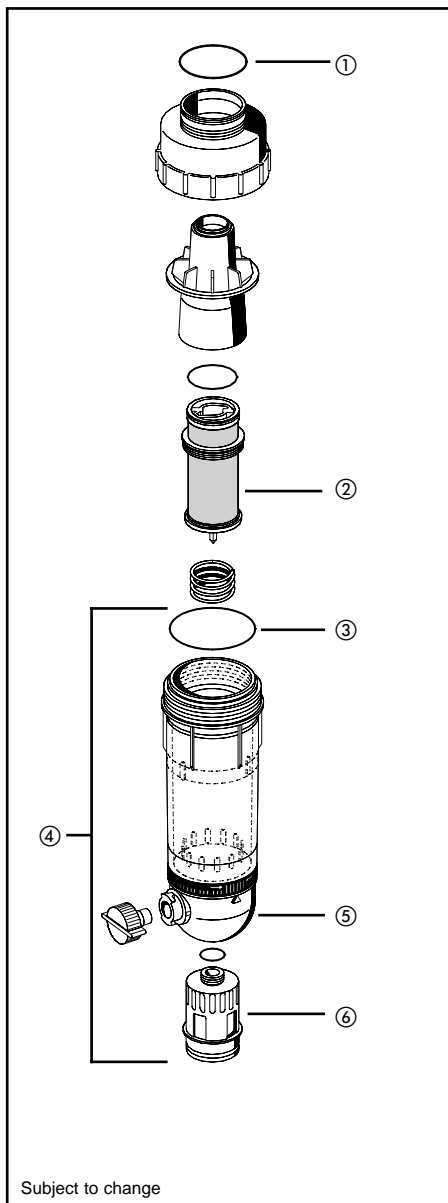


## Accessories

- Z 11 S**      **Automatic reverse rinsing actuator**  
For automatic reverse rinsing of the filter at adjustable time intervals
- ZR 10 -K**    **Double ring wrench**  
For removing filter bowl
- FT 09 RS**    **Red bronze filter bowl**  
For temperatures up to 70 °C and operating pressures up to 25 bar
- ZR 08**        **Ring wrench**  
For fitting the retrofit filter

# FN 09 S HABEDO® retrofit filters - Service parts

1997 and onwards

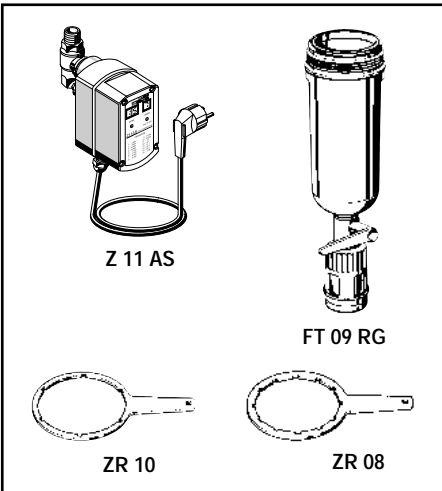
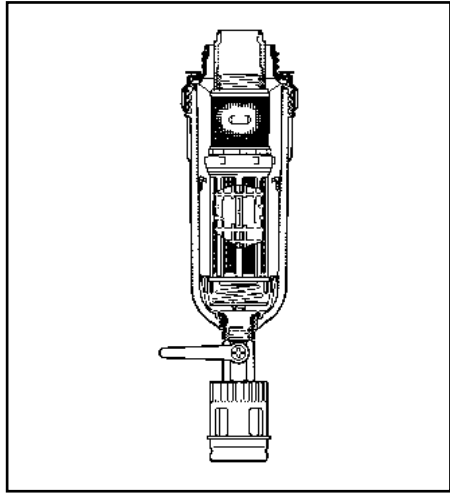
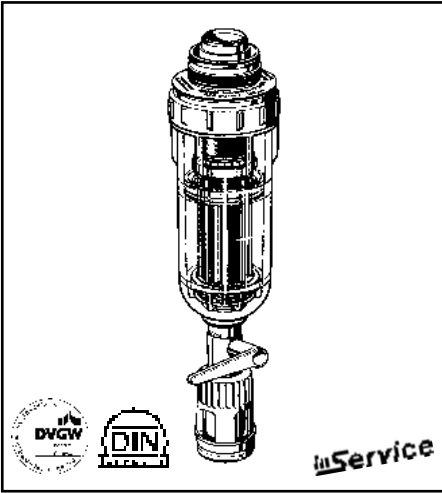


Subject to change

Description	Nominal size	Part number
① O-ring set (pack of 10)	1/2"	0901246
	1"	0901247
	1"N	0901499
	1 1/2"	0901248
② Filter insert complete	lower/upper	AF 11 S - 1 A
	mesh size	AF 11 S - 1 1/2 A
	105/135 µm	
	Filter mesh size 1/2" + 1" + 1"N	AF 11 S - 1 B
	20 µm	AF 11 S - 1 1/2 B
	Filter mesh size 1/2" + 1" + 1"N	AF 11 S - 1 C
	50 µm	AF 11 S - 1 1/2 C
	Filter mesh size 1/2" + 1" + 1"N	AF 11 S - 1 D
200 µm	AF 11 S - 1 1/2 D	
Filter mesh size 1/2" + 1" + 1"N	AF 11 S - 1 E	
300 µm	AF 11 S - 1 1/2 E	
Filter mesh size 1/2" + 1" + 1"N	AF 11 S - 1 F	
500 µm	AF 11 S - 1 1/2 F	
③ O-ring set (pack of 10)	1/2" + 1" + 1"N	0900747
	1 1/2"	0900748
④ Clear filter bowl complete	1/2" + 1" + 1"N	KF 11 S - 1 A
	1 1/2"	KF 11 S - 1 1/2 A
⑤ Discharge connector	1/2" - 1 1/2"	AA 76 - 1/2 A
⑥ Ball valve complete	1/2" - 1 1/2"	KH 11 S - 1 A

# FN 09 HABEDO® retrofit filters

From 1991 to 1996

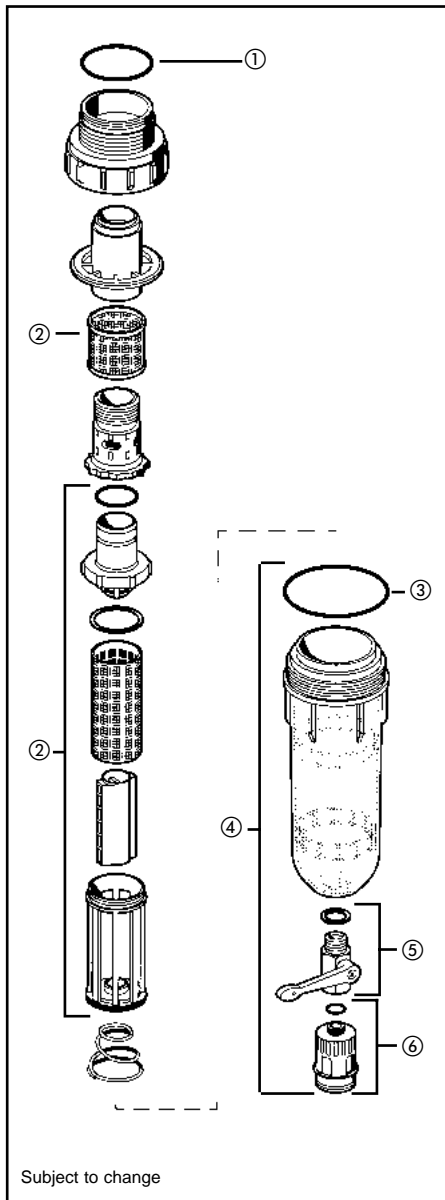


## Accessories

- Z 11 AS** Automatic reverse rinsing actuator  
For automatic reverse rinsing of the filter at adjustable time intervals
- ZR 08** Ring wrench  
For removing the housing ring
- ZR 10** Ring wrench  
For removing the filter bowl
- FT 09 RG** Red bronze filter bowl  
For temperatures up to 70 °C and operating pressures up to 25 bar

# FN 09 HABEDO® retrofit filters - Service parts

From 1991 to 1996

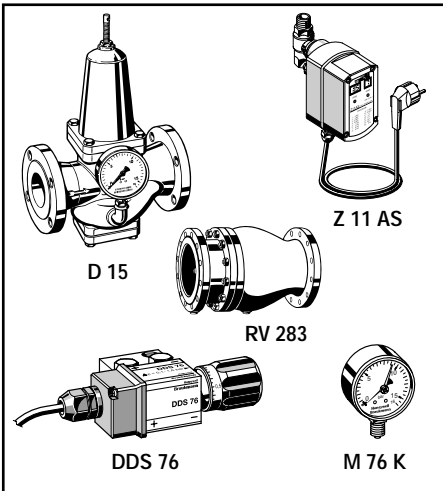
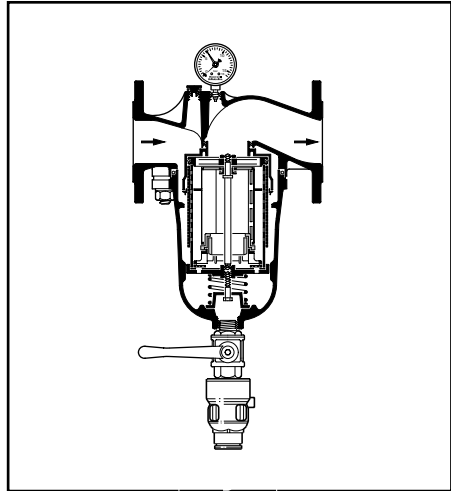
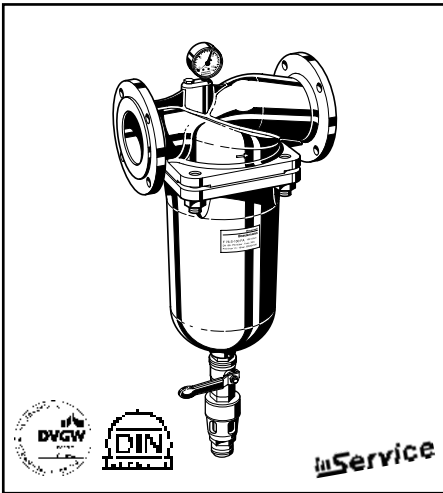


Description	Nominal size	Part number
① O-ring set	1/2" - 1"	0901246
	1 1/4"	0901247
	1 1/2" + 2"	0901248
② Filter insert complete	lower/upper	AF 11 - 1/2 A
	mesh size	AF 11 - 1 A
	105/135 µm	AF 11 - 1 1/2 A
	Filter mesh size	AF 11 - 1/2 B
	20 µm	AF 11 - 1 B
		AF 11 - 1 1/2 B
	Filter mesh size	AF 11 - 1/2 C
	50 µm	AF 11 - 1 C
		AF 11 - 1 1/2 C
	Filter mesh size	AF 11 - 1/2 D
200 µm	AF 11 - 1 D	
	AF 11 - 1 1/2 D	
③ O-ring set (pack of 10)	1/2" + 3/4"	0900746
	1" + 1 1/4"	0900747
	1 1/2" + 2"	0900748
④ Clear filter bowl	1/2" - 1"	KF 11 - 1/2 A
	1 1/4"	KF 11 - 1 A
	1 1/2" + 2"	KF 11 - 1 1/2 A
⑤ Ball valve	1/2" - 1 1/4"	KH 11 - 1/2 A
	1 1/2" + 2"	KH 11 - 1 1/2 A
⑥ Discharge connector with lever and O-ring	1 1/2" - 2"	AA 76 - 1/2 A

Subject to change

# F 76 S-F fine filters with flanges

1998 and onwards



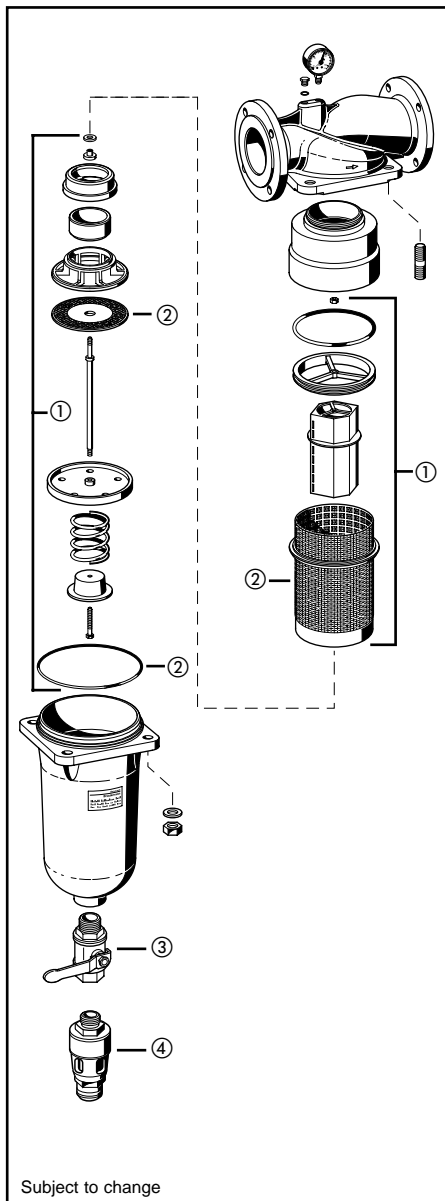
## Accessories

- Z 11 AS Automatic reverse rinsing actuator**  
 For automatic reverse rinsing of the filter at adjustable time intervals  
 Z 11 AS - 1 A - 230 V, 50/60 Hz  
 Z 11 AS - 1 B - 24 V, 50/60 Hz
- M 76 K Pressure gauge**  
 Range: 0 – 16 bar
- D 15 Pressure reducing valve**  
 Grey cast iron housing, coated inside and outside with liquid synthetic material. Available in sizes DN 40 to 200
- RV 283 Check valve**  
 Grey cast iron housing, coated inside and outside with liquid synthetic material. DIN/DVGW tested in sizes DN 65, 80 and 100.
- DDS 76 Differential pressure switch**



# F 76 S-F fine filters with flanges - Service parts

1998 and onwards

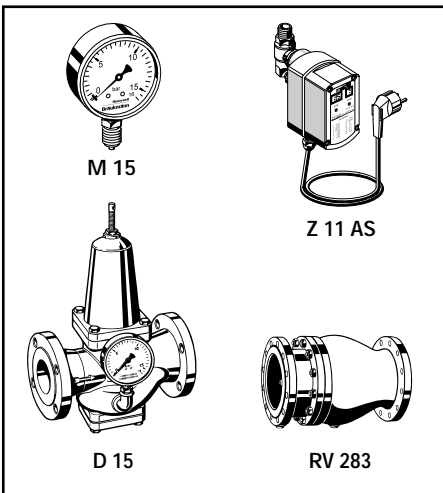
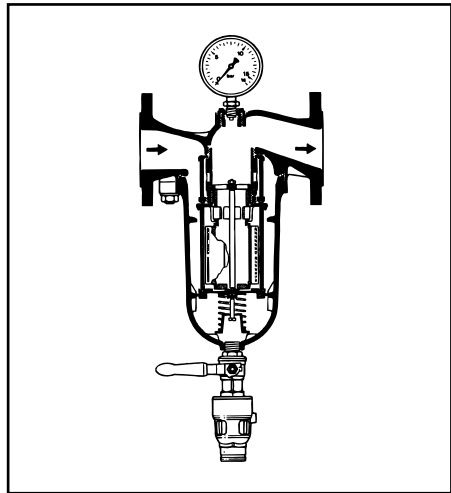
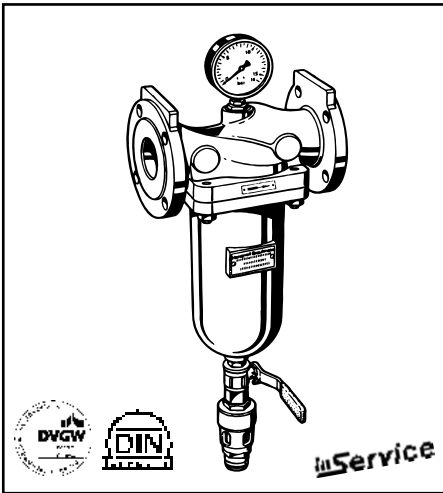


Description	Nominal size	Part number
① Filter insert complete		
lower/upper	65	AF 76 S - 65 A
mesh size	80	AF 76 S - 80 A
105/135 µm	100	AF 76 S - 100 A
Filter mesh size	65	AF 76 S - 65 D
200 µm	80	AF 76 S - 80 D
	100	AF 76 S - 100 D
Filter mesh size	65	AF 76 S - 65 C
50 µm	80	AF 76 S - 80 C
	100	AF 76 S - 100 C
② Replacement filter		
mesh		
lower/upper	65	ES 76 S - 65 A
mesh size	80	ES 76 S - 80 A
105/135 µm	100	ES 76 S - 100 A
Filter mesh size	65	ES 76 S - 65 D
200 µm	80	ES 76 S - 80 D
100	ES 76 S - 100 D	
Filter mesh size	65	ES 76 S - 65 C
50 µm	80	ES 76 S - 80 C
	100	ES 76 S - 100 C
Filter mesh size	65	ES 76 S - 65 F
80	ES 76 S - 80 F	
	100	ES 76 S - 100 F
③ Ball valve	65 - 100	5622100
④ Tundish	65 - 100	5381300

Subject to change

# F 76-F fine filters with flanges

From 1991 to 1997



## Accessories

### Z 11 AS Automatic reverse rinsing actuator

For automatic reverse rinsing of the filter at adjustable time intervals

### M 15 Pressure gauge

Housing  $\varnothing$  100 mm, rear connection G  $\frac{1}{2}$

Ranges:

0 – 4, 0 – 10, 0 – 16, 0 – 25 bar.

Please state pressure range when ordering

### D 15 Pressure reducing valve

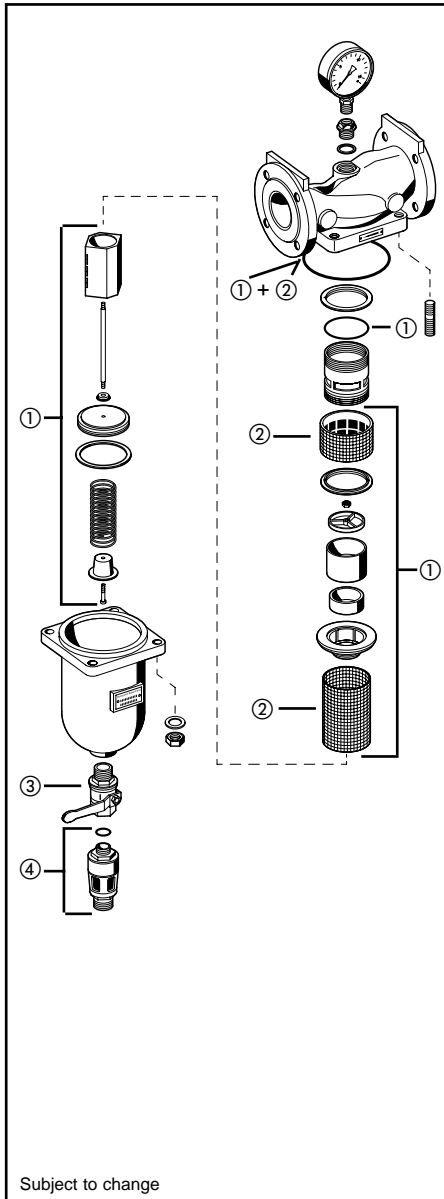
Grey cast iron housing, coated inside and outside with liquid synthetic material. Available in sizes DN 40 to 200

### RV 283 Check valve

Grey cast iron housing, coated inside and outside with liquid synthetic material. DIN/DVGW tested in sizes DN 65, 80 and 100.

# F 76-F fine filters with flanges - Service parts

From 1991 to 1997

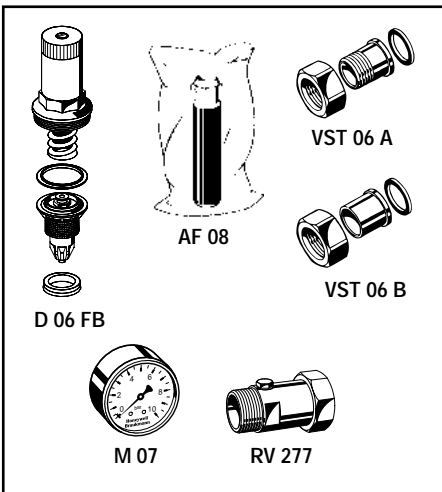
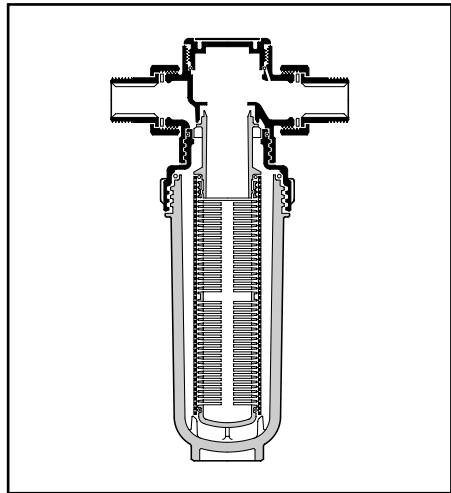
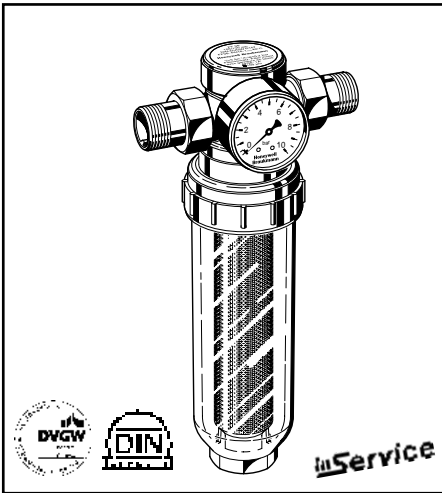


Description	Nominal size	Part number
① Filter insert *		
complete		
lower/upper	65	AF 76 - 65 A
mesh size	80	AF 76 - 80 A
105/135 µm	100	AF 76 - 100 A
Filter mesh size	65	AF 76 - 65 D
200 µm	80	AF 76 - 80 D
	100	AF 76 - 100 D
② Replacement	65	ES 76 - 65 A
filter mesh, lower/	80	ES 76 - 80 A
upper mesh size	100	ES 76 - 100 A
105/135 µm		
Filter mesh size	65	ES 76 - 65 D
200 µm	80	ES 76 - 80 D
	100	ES 76 - 100 D
③ Ball valve	65 – 100	5622100
④ Tundish	65 – 100	5381300

\* In addition, up to supply date code 9628 the following guide bushes must be ordered separately:  
 DN 65 0903202 – DN 80 0903203 – DN 100 0903204  
 When delivered with the filter inserts these bushes are supplied without cost.

# FF 08 fine filters

1987 and onwards

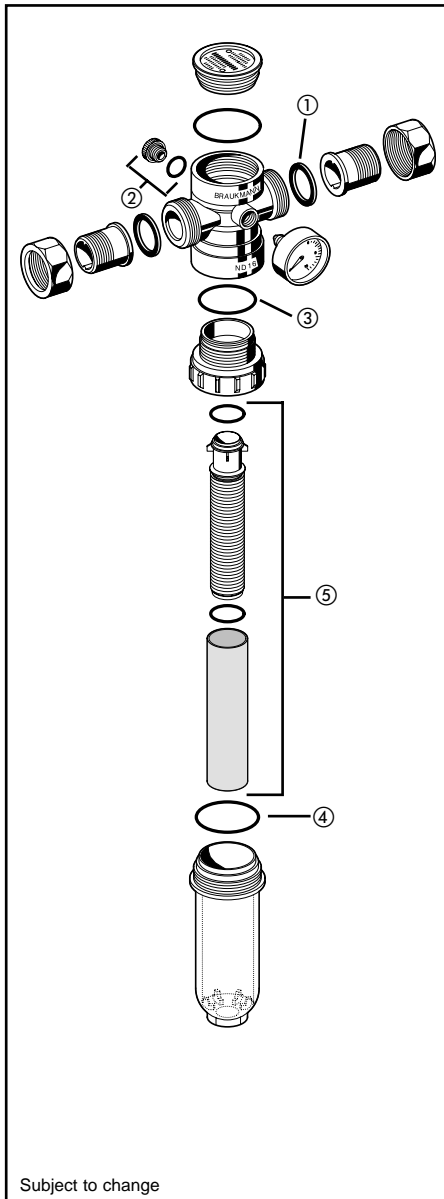


## Accessories

- AF 08 Replacement filter insert complete**  
According to degree of contamination it may be necessary to exchange the filter insert at shorter intervals than the six months specified by standards.
- M 07 Pressure gauge**  
Housing  $\varnothing$  63 mm,  
rear connection G  $\frac{1}{4}$ "  
Ranges:  
0 – 4, 0 – 10, 0 – 16, 0 – 25 bar.  
Please state pressure range when ordering
- RV 277 Inlet check valve**  
For FF 08 in sizes R  $\frac{3}{4}$ " –  $1\frac{1}{4}$ "
- D 06 FB Retrofit pressure reducing valve**  
For retrofitting if there is a subsequent increase in supply pressure (where static pressure is above 5.0 bar)
- VST 06 Connection set**  
With threaded or soldered connections  
A = threaded tailpiece  
B = soldered tailpiece

# FF 08 fine filters - Service parts

1987 and onwards



Description	Nominal size	Part number
① Seal ring set (pack of 10)	1/2"	0901443
	3/4"	0901444
	1"	0901445
	1 1/4"	0901446
② Blanking plug set 1/2" – 1 1/4" with O-ring R 1/4" (pack of 5)		S 06 K - 1/4
③ O-ring set (pack of 10)	1/2" + 3/4"	0901246
	1" + 1 1/4"	0901247
④ O-ring set (pack of 10)	1/2" + 3/4"	0900746
	1" + 1 1/4"	0900747
⑤ Filter insert complete lower/upper mesh size 105/135 µm	1/2" + 3/4"	AF 08 - 1/2 A
	1" + 1 1/4"	AF 08 - 1 A

Subject to change

---

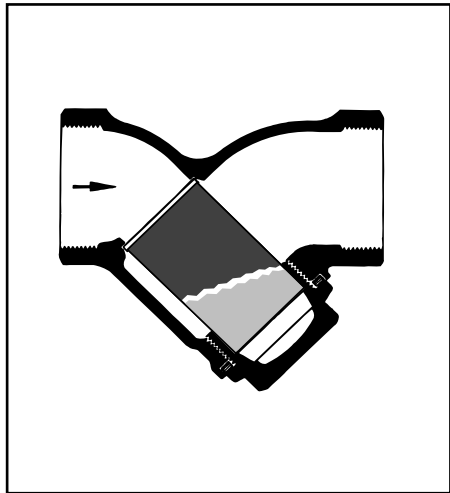
## Fine filters - What to do if...

<b>Problem</b>	<b>Cause</b>	<b>Solution</b>
No, or too little water pressure	– Shutoff valves before and/or after filter not fully open	– Open shutoff valves fully
	– Filter in the water metering system dirty	– Clean filter
	– Filter dirty	– Reverse rinse
	– Filter fitted wrong way round	– Fit filter in correct flow direction



# FY 30 strainers

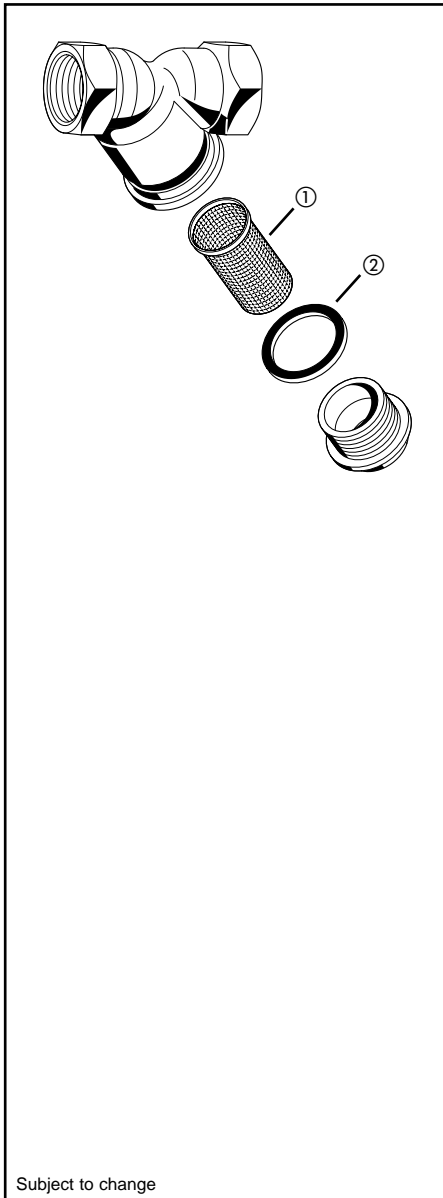
1967 and onwards





# FY 30 strainers - Service parts

1967 and onwards

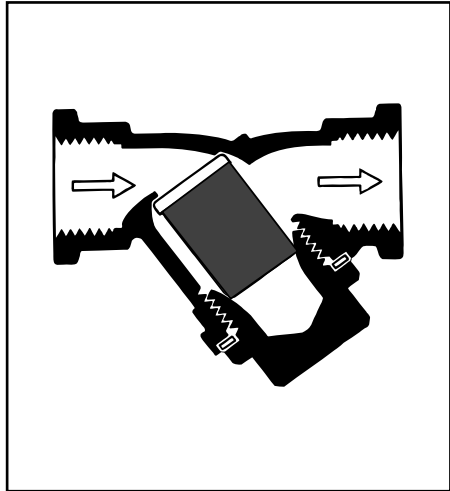
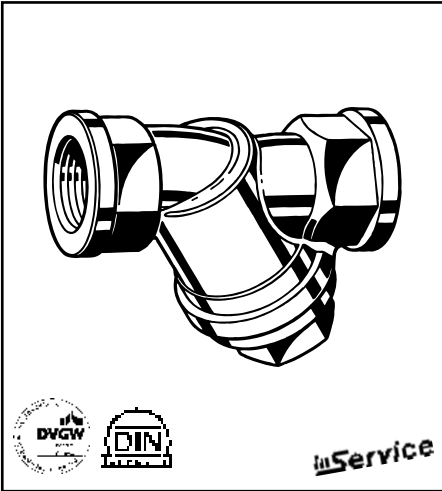


Subject to change

Description	Nominal size	Part number
① Replacement strainer insert, mesh size 0.35 mm	3/8"	ES 30 - 3/8 A
	1/2"	ES 30 - 1/2 A
	3/4"	ES 30 - 3/4 A
	1"	ES 30 - 1 A
	1 1/4"	ES 30 - 1 1/4 A
	1 1/2"	ES 30 - 1 1/2 A
	2"	ES 30 - 2 A
① Mesh size 0.18 mm	3/8"	ES 30 - 3/8 B
	1/2"	ES 30 - 1/2 A
	3/4"	ES 30 - 3/8 B
	1"	ES 30 - 1 B
	1 1/4"	ES 30 - 1 1/4 B
	1 1/2"	ES 30 - 1 1/2 B
	2"	ES 30 - 2 B
② Seal ring	3/8"	5783600
	1/2"	2221300
	3/4"	5017600
	1"	5018000
	1 1/4"	5018500
	1 1/2"	5019100
	2"	5021400

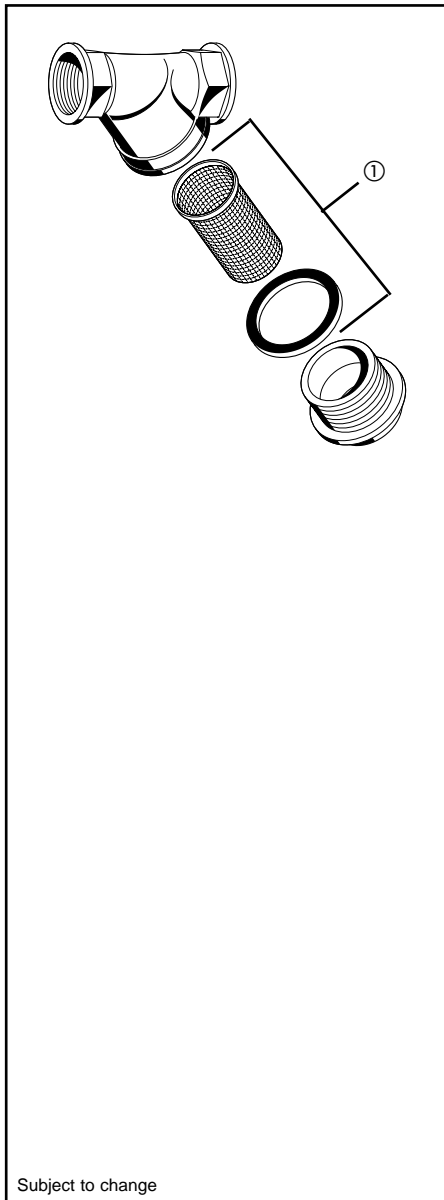
# FY 32 strainers

1989 and onwards



# FY 32 strainers - Service parts

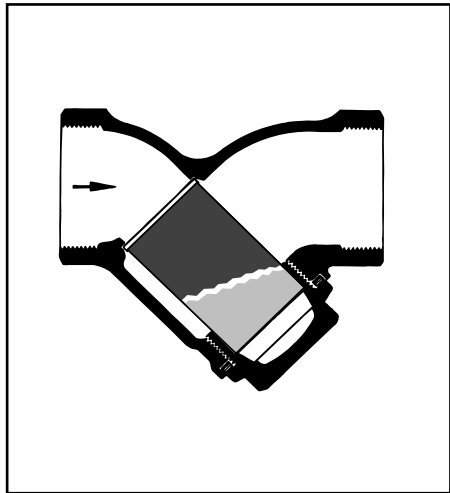
1989 and onwards



Description	Nominal size	Part number
① Replacement strainer insert with seal ring, mesh size	$\frac{3}{8}$ "	ES 32 - $\frac{3}{8}$ C
	$\frac{1}{2}$ "	ES 32 - $\frac{1}{2}$ C
	$\frac{3}{4}$ "	ES 32 - $\frac{3}{4}$ C
	1"	ES 32 - 1 C
	1 $\frac{1}{4}$ "	ES 32 - 1 $\frac{1}{4}$ C
	1 $\frac{1}{2}$ "	ES 32 - 1 $\frac{1}{2}$ C
	2"	ES 32 - 2 C

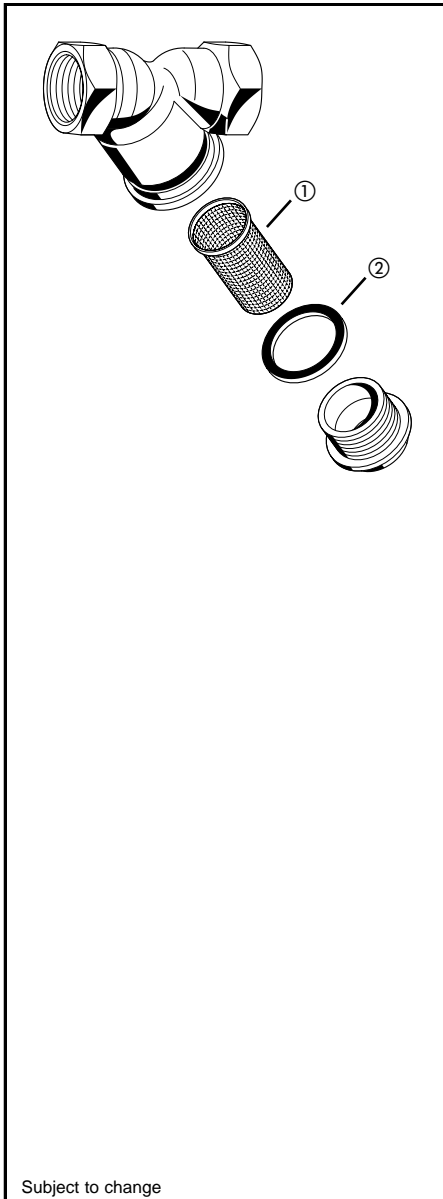
# FY 32 strainers

From 1962 to 1988



# FY 32 strainers - Service parts

From 1962 to 1988

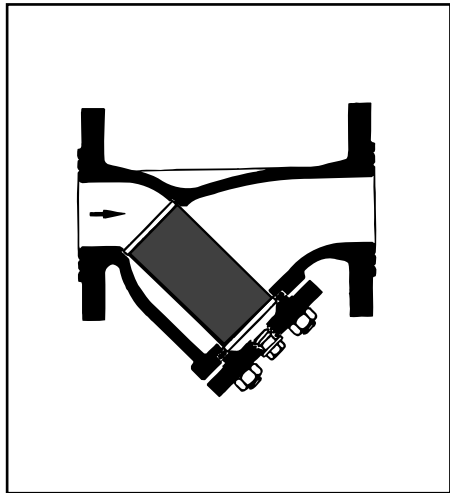
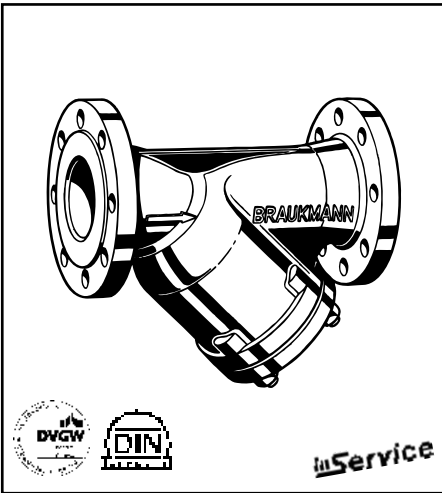


Subject to change

Description	Nominal size	Part number
① Replacement strainer insert, mesh size 0.35 mm	3/8"	ES 30 - 3/8 A
	1/2"	ES 30 - 1/2 A
	3/4"	ES 30 - 3/4 A
	1"	ES 30 - 1 A
	1 1/4"	ES 30 - 1 1/4 A
	1 1/2"	ES 30 - 1 1/2 A
	2"	ES 30 - 2 A
① Mesh size 0.18 mm	3/8"	ES 30 - 3/8 B
	1/2"	ES 30 - 1/2 B
	3/4"	ES 30 - 3/4 B
	1"	ES 30 - 1 B
	1 1/4"	ES 30 - 1 1/4 B
	1 1/2"	ES 30 - 1 1/2 B
	2"	ES 30 - 2 B
② Seal ring	3/8"	5783600
	1/2"	2221300
	3/4"	5017600
	1"	5018000
	1 1/4"	5018500
	1 1/2"	5019100
2"	5021400	

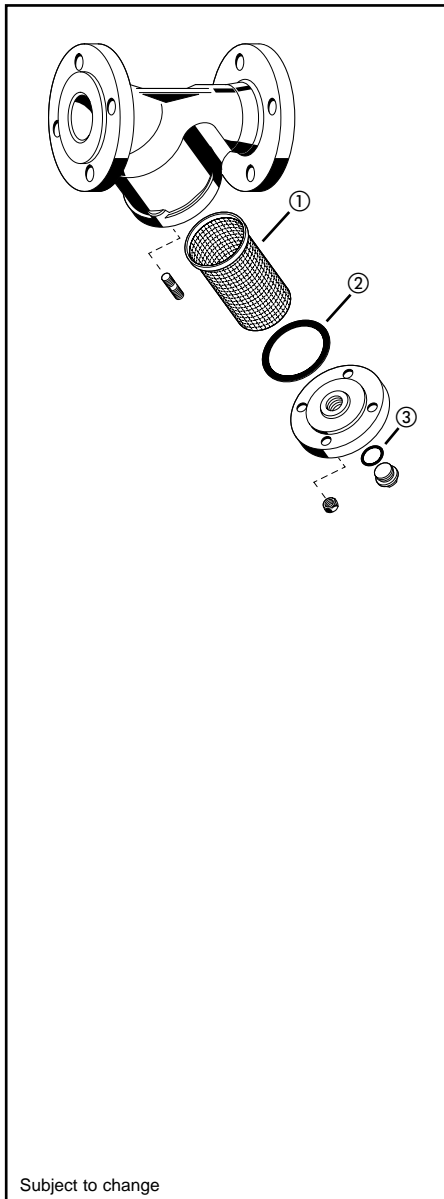
# FY 69 strainers

1979 and onwards



# FY 69 strainers - Service parts

1979 and onwards

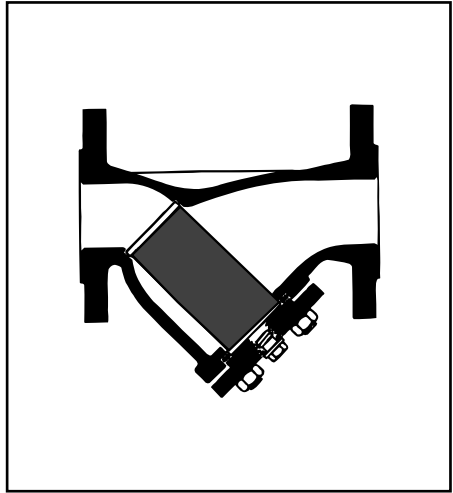
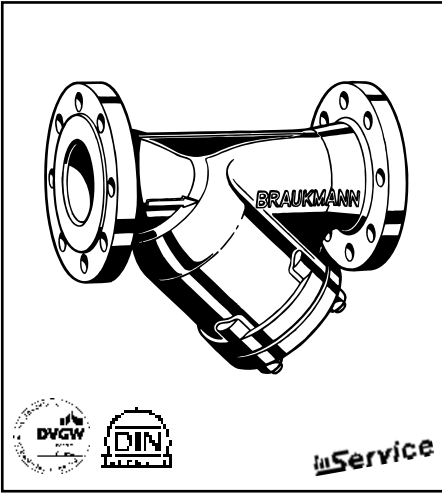


Subject to change

Description	Nominal size	Part number
① Replacement strainer insert, mesh size 0.5 mm	DN 15	ES 69 Y - 15
	DN 20	ES 69 Y - 20
	DN 25	ES 69 Y - 25
	DN 32	ES 69 Y - 32
	DN 40	ES 69 Y - 40
	DN 50	ES 69 Y - 50
	DN 65	ES 69 Y - 65
	DN 80	ES 69 Y - 80
	DN 100	ES 69 Y - 100
	DN 125	ES 69 Y - 125
	DN 150	ES 69 Y - 150
	DN 200	ES 69 Y - 200
	② Lid seal	DN 15
DN 20		5782500
DN 25		5782600
DN 32		5782700
DN 40		5782800
DN 50		5782900
DN 65		5783000
DN 80		5783100
DN 100		5783200
DN 125		5783300
DN 150		5783400
③ Blanking plug seal	DN 15	5783600
	DN 20	5783600
	DN 25	5783600
	DN 32	5783600
	DN 40	5783600
	DN 50	5783600
	DN 65	5783400
	DN 80	5783400
	DN 100	5783700
	DN 125	5783700
	DN 150	5783700
DN 200	5783700	

# FY 71 strainers

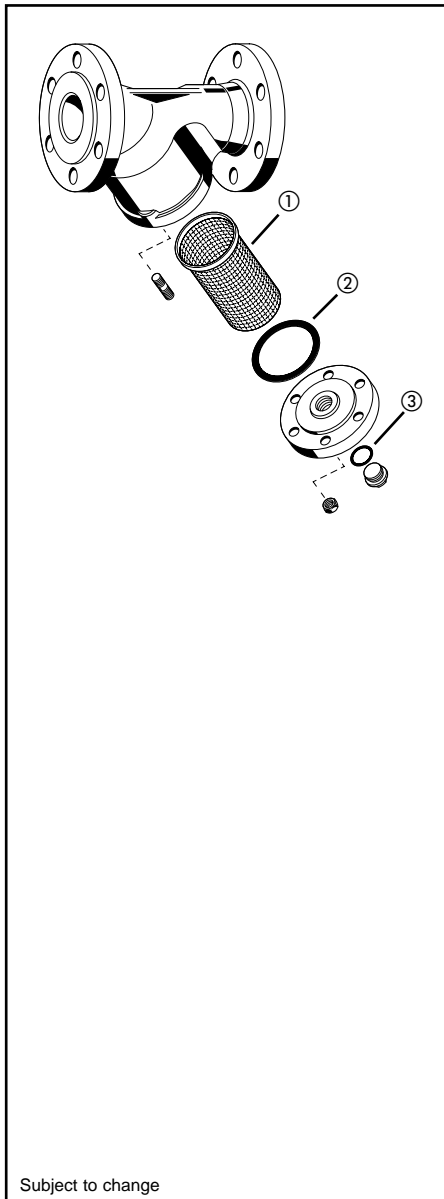
1979 and onwards





# FY 71 strainers - Service parts

1979 and onwards



Subject to change

Description	Nominal size	Part number
① Replacement strainer insert, mesh size 0.5 mm	DN 15	ES 71 Y - 15
	DN 20	ES 71 Y - 20
	DN 25	ES 71 Y - 25
	DN 32	ES 71 Y - 32
	DN 40	ES 71 Y - 40
	DN 50	ES 71 Y - 50
	DN 65	ES 71 Y - 65
	DN 80	ES 71 Y - 80
	DN 100	ES 71 Y - 100
	DN 125	ES 71 Y - 125
	DN 150	ES 71 Y - 150
	② Lid seal	DN 15
DN 20		5782500
DN 25		5782600
DN 32		5782700
DN 40		5782800
DN 50		5782900
DN 65		5783000
DN 80		5783100
DN 100		5783200
DN 125		5783300
DN 150		5783400
③ Blanking plug seal		DN 15
	DN 20	5783600
	DN 25	5783600
	DN 32	5783600
	DN 40	5783600
	DN 50	5783600
	DN 65	5783400
	DN 80	5783400
	DN 100	5783700
	DN 125	5783700
	DN 150	5783700

---

# Strainers - What to do if...

Problem	Cause	Solution
No, or too little water pressure	<ul style="list-style-type: none"><li>– Shutoff valves before and/or after filter not fully open</li><li>– Valve cone in flow regulator valve blocked</li><li>– Filter dirty</li></ul>	<ul style="list-style-type: none"><li>– Open shutoff valves fully</li><li>– Carry out maintenance service on flow regulator valve</li><li>– Clean strainer insert, or replace if necessary</li></ul>