

Linear Actuators

ML6435B / ML7430E / ML7435E	Electric Linear Actuator	7
ML6420A / ML7420A	Electric Linear Actuator	8
ML6425 A,B / ML7425A,B	Electric Linear Actuator	9
ML6421A,B / ML7421A,B	Electric Linear Actuator	10
MP953 B,D	Pneumatic Actuator	11
MP953 A,C	Pneumatic Damper Actuator	12
MP904 A,B,C,D	Pneumatic Damper Actuator	13

Linear Valves

V5011R/S	2-Way Large Linear Valve	17
V5049A/B	2-Way Large Linear Valve	18
V5095A	2-Way Large Linear Valve	19
V5328A	2-Way Large Linear Valve	20
V176A/B	2-Way Large Linear Valve	21
V5025B	2-Way Large Linear Valve	21
V5016A / V5025A	2-Way Large Linear Valve	22
V5013R/E	3-Way Large Linear Valve	23
V5015A, V5329A/C	3-Way Large Linear Valve	24
V5050A/B	3-Way Large Linear Valve	25
V58...2A, V58...3A/C	2/3-Way Small Linear Valves	26
V5078A/B	3-Way Small Linear Valve	27
V5825B	2-Way Small Linear Valve	28
V5872B	2-Way Small Linear Valve	29
	Accessories	30

Rotary Valves & Actuators

M6061A,L / M7061E	Electric Rotary Actuator	33
DR (V5431A,F) / ZR (V5441A,F)		
+ DRK / ZRK	Rotary Valve Linkage	34
V5431A,F / V5441A,F	3/4-Way Rotary Valves	35
V5433A / V5442A	3-Way Compact Rotary Valve	36
V5434H,T	3-Way Rotary Valve	37
V5421B	Butterfly Valves	38
V5422L	Butterfly Valves	38

Direct Coupled Actuators

Damper Actuators	41
------------------	----

Wall Modules

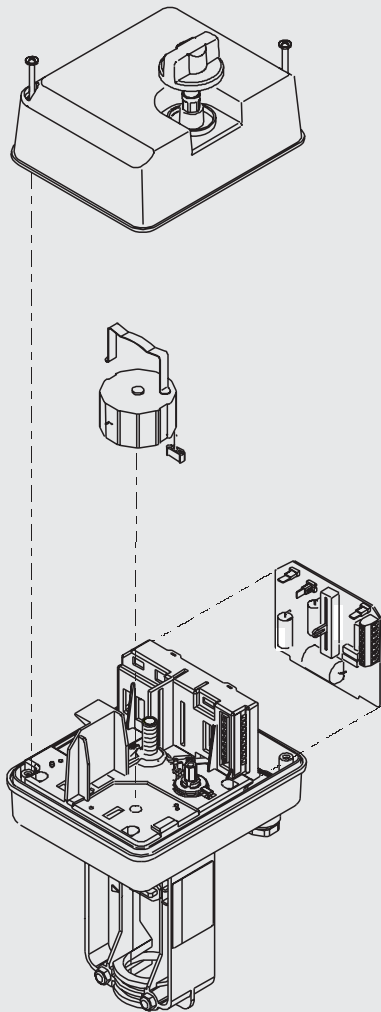
Sets for T7460/T7560/T7270	45
----------------------------	----

Linear Actuators

Electric Linear Actuators

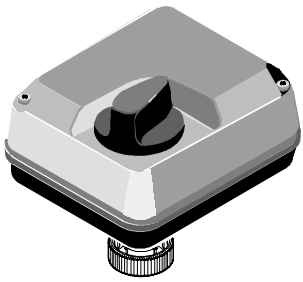
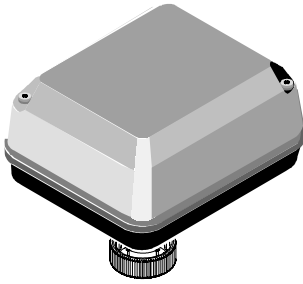
Pneumatic Actuators

Pneumatic Damper Actuators



ML6435B / ML7430E / ML7435E Electric Linear Actuator

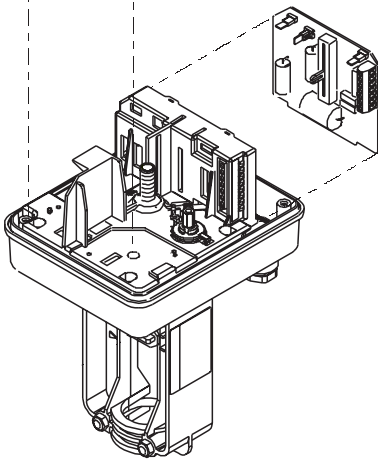
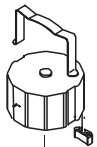
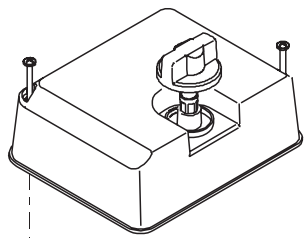
Spare Parts



Description	Part-No.	ML7430		ML7435		ML6435	
		E1005		E1004		B1008	B1016
Motor Assembly	43196492-001	•		•		•	
	43196492-002						•
Circuit Board	43196493-001	•					
	43196493-002			•			
	43196494-001					•	
	43196494-002						•

ML6420A / ML7420A Electric Linear Actuator

Spare Parts



	Honeywell	ML 6420				ML 7420		
		A3007	A3015	A3023	A3031	A3006	A3014	A2016
Description	Part-No.							
Motor Assy.	43193813-001		•					
	43193813-002	•				•		
	43193813-004				•			
	43193813-005			•		•		
	43193813-006						•	
Circuit-Board Assy.	43193807-002	•						
	43193807-004		•		•			
	43193807-005			•				
	43193808-004*					•		
	43193808-005*						•	
	43193809-005						•	

* ⚠ Wiring needs to be changed before datecode 9901 (week 1 in 1999)

ML6425A,B / ML7425A,B Electric Linear Actuator

Spare Parts

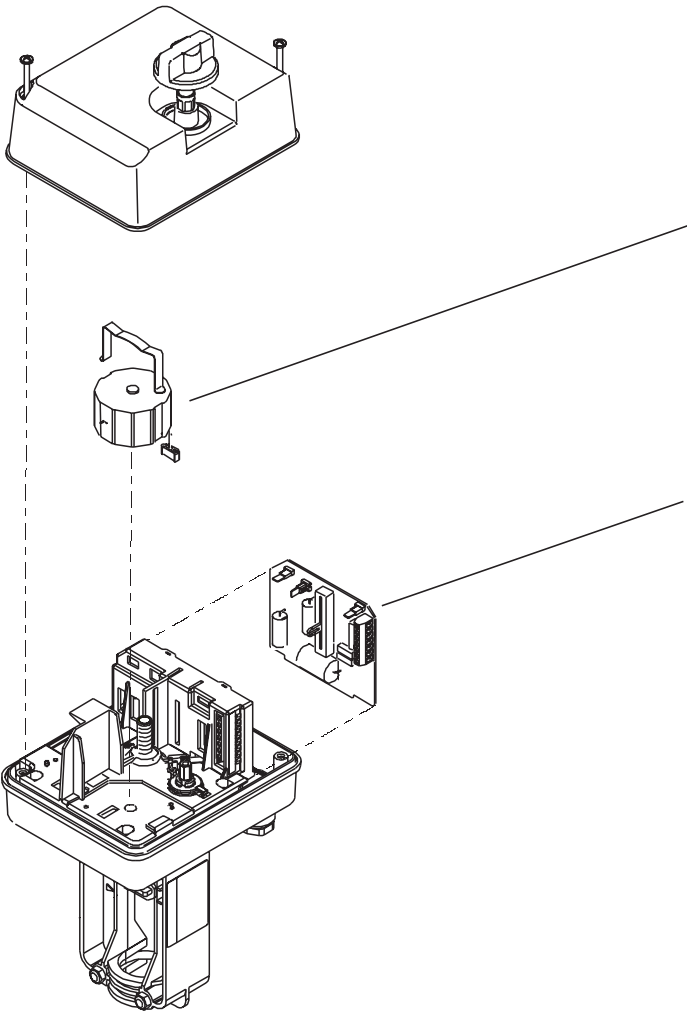
	Honeywell	ML6425					ML7425		
		B3021	A3006	B2015	A3014	B2023	B3005	A3005	B3004
Description	Part-No.								
Manual Operator Assy.	43193816-001	•	•	•	•	•	•	•	
Motor Assy.	43193813-001	•			•	•			
	43193813-003		•	•			•	•	•
Circuit-Board Assy.	43193809-001		•	•			•		
	43193809-002	•			•	•			
	43193810-002*							•	•

* ⚠ Wiring needs to be changed before datecode 9901 (week 1 in 1999)

ML6421A,B / ML7421A,B

Electric Linear Actuator

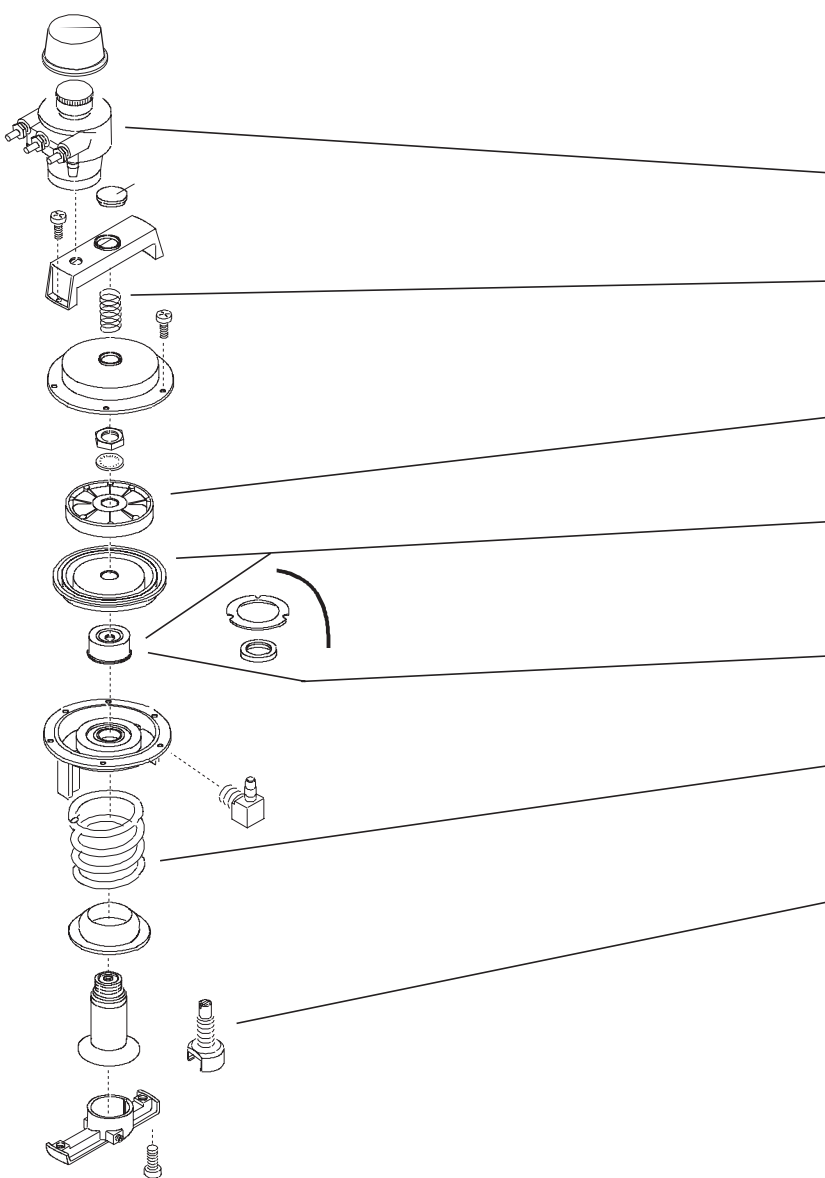
Spare Parts



	Honeywell	ML6421		ML7421			
		A3005	A3013	B3004	B3012		A3004
Description	Part-No.						
Motor Assy.	K43196140-005	•		•		•	•
	K43196140-004		•		•		
Circuit-Board Assy.	K43196130-001	•		•			
	K43196131-001		•				
	K43196192-003				•	•	
	K43196192-004						•

MP953B,D Pneumatic Actuator

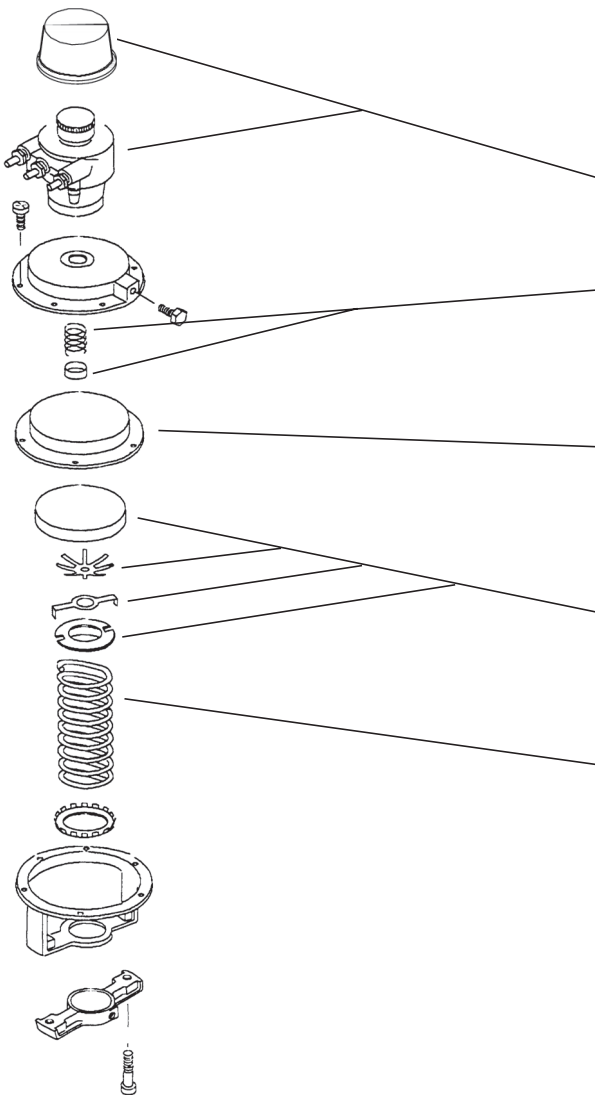
Spare Parts



	Honeywell	MP953		
		B5003	D5009	D5025
Description	Part-No.			
Relay Assy.	K43170625-002	●		
Spring	K43313919-010 (10 pcs)	●		
Cup	S43312199-001	●	●	●
Diaphragm and Sleeve	R43180626-001	●	●	●
Sleeve	R43161322-001	●	●	●
Spring (0.56...0.91 bar)	S43312203-001 S43314313-001	●	●	●
Yoke Assy.	R43169695-001	●	●	●

MP953A,C Pneumatic Damper Actuator

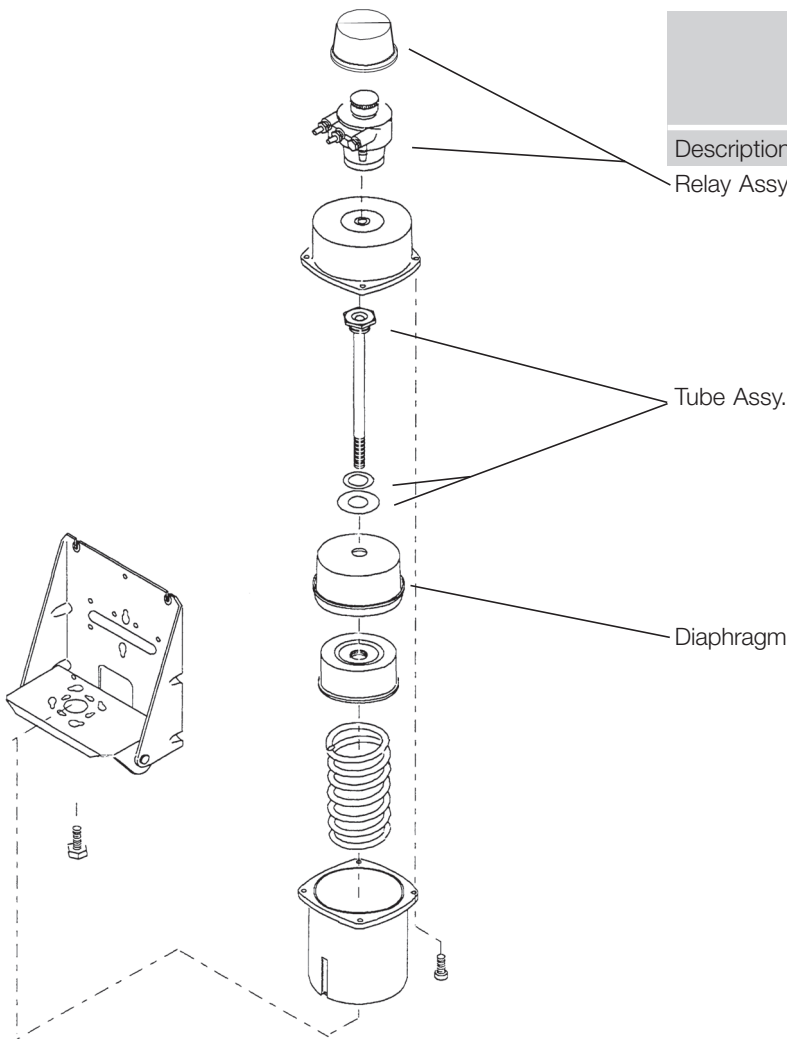
Spare Parts



Description	Honeywell	MP953										
		A5005	A5039	A5054	C5001	C5019	C5027	C5068	C5076	C5084	C5142	C5159
Part-No.												
Relay Assy.	K43170625-001	•	•	•								
Spring	K43170608-010 K43313814-010 (both 10 pcs)	•	•	•								
Diaphragm	R43312760-001 R43161319-001 R43161320-001	•			•	•	•					
Cup Assy.	K43309284-001 K43311749-001 K43170643-001	•			•	•	•					
Spring: 0.14...0.49 bar 0.28...0.77 bar 0.28...0.77 bar 0.28...0.77 bar 0.65...0.84 bar	S43311515-001 S43311393-001 S43311854-001 S43312471-001 S43311618-001		•			•		•			•	•

MP904A,B,C,D Pneumatic Damper Actuator

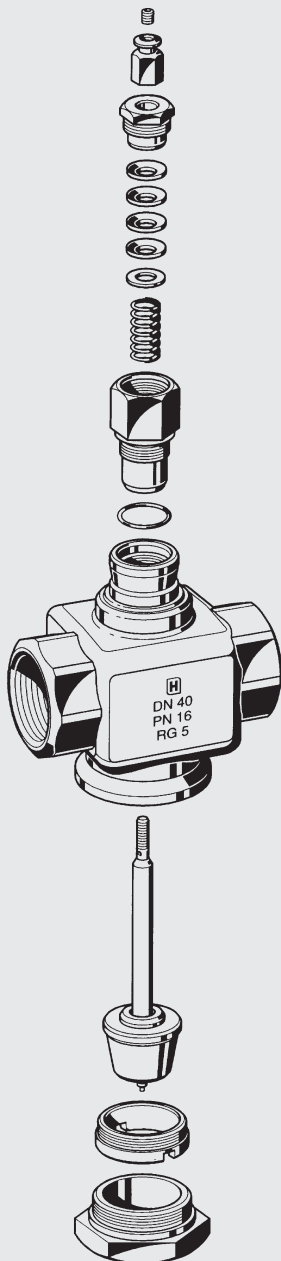
Spare Parts



Description	Honeywell Part-No.	MP904								
		A5047	B5037	B5052	C1018	C1026	D1008	D1032	D1040	D1057
Relay Assy.	K43170625-003	•			•	•				
Tube Assy.	K43172185-001	•			•	•				
	K43172185-002		•	•			•	•	•	•
Diaphragm	K43313917-001	•	•	•						
	K43175995-001				•	•	•	•	•	•

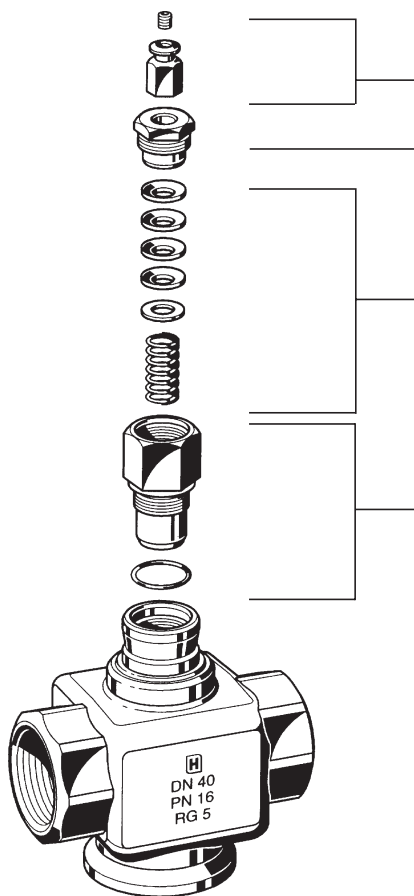
Linear Valves

- 2-Way Large Linear Valves
- 3-Way Large Linear Valves
- 2/3-Way Small Linear Valves
- Accessories



V5011R/S 2-Way Large Linear Valve PN 16

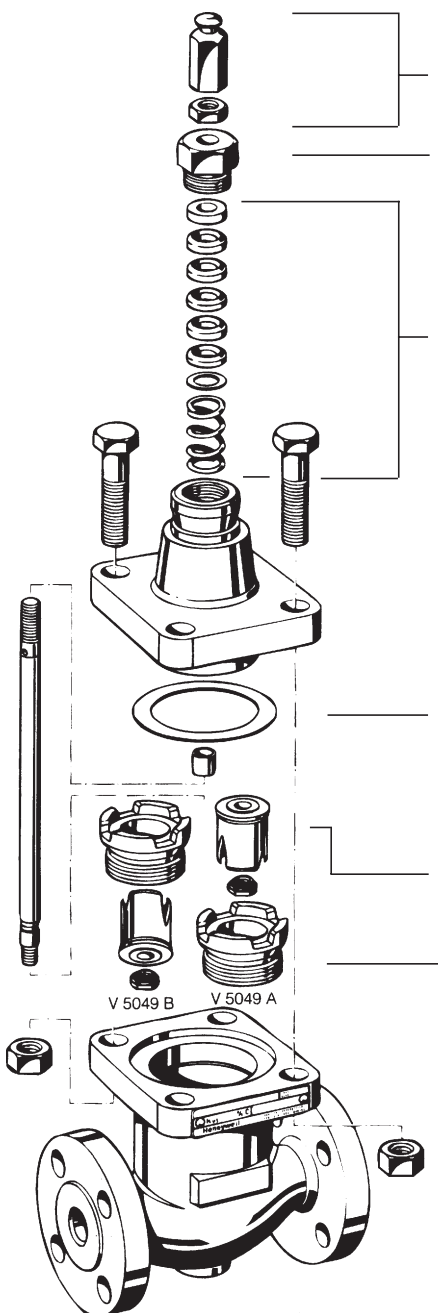
Spare Parts



Description	Valve size	Order-Number
Stem button assy (10 units)	DN 15-50	K43175080001
Packing nut (from Jan. 2003)	DN 15-50	0903835
Packing kit (till Dec. 2002)	DN 15-32	R43176754001
(from Jan. 2003)	DN 40 and 50	R43176754002
	DN15-50	R43176754002
Packing nut (till Dec. 2002)	DN 15-32	0901788
	DN 40 and 50	0901789

V5049A/B 2-Way Large Linear Valve PN 16/25/40

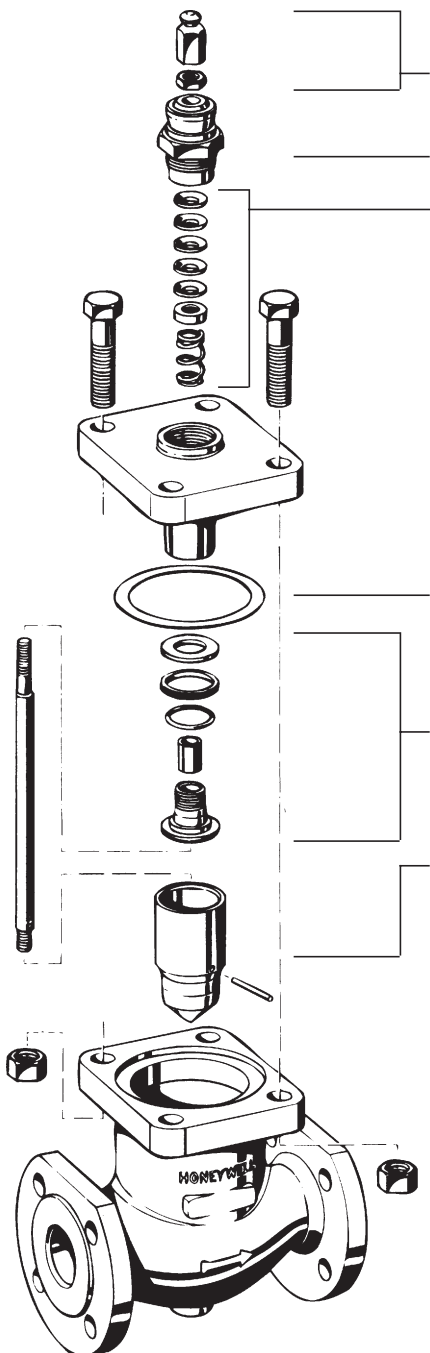
Spare Parts



Description	Valve size	Order-Number
Stem button assy (10 units)	DN 15–65	K43175080002
	DN 80–150	K43175080005
Packing nut	DN 15–65	S43297006001
	DN 80–150	S43297992001
Packing kit	DN 15–65 (Ø 10 mm)	R43176755004
	DN 80–150 (Ø 16 mm)	R43176755005
Body gasket (10 units)	DN 40–65	K43188174002
	DN 80–100	K43188174003
	DN 125 and 150	K43188174004
Plug assembly (valve stem, plug, body gasket, rivet or locking nut)	kvs 25	K43298806001
	kvs 40	K43298817001
	kvs 63	K43298824001
	kvs 100	K43298836001
	kvs 160	K43298851001
	kvs 250	K43299007001
	kvs 360	K43299020003
Seat ring	kvs 25	S43297103001
	kvs 40	S43296983001
	kvs 63	S43297102001
	kvs 100 and 160	S43161910001
	kvs 250 and 360	S43297991001

V5095A 2-Way Large Linear Valve PN 16

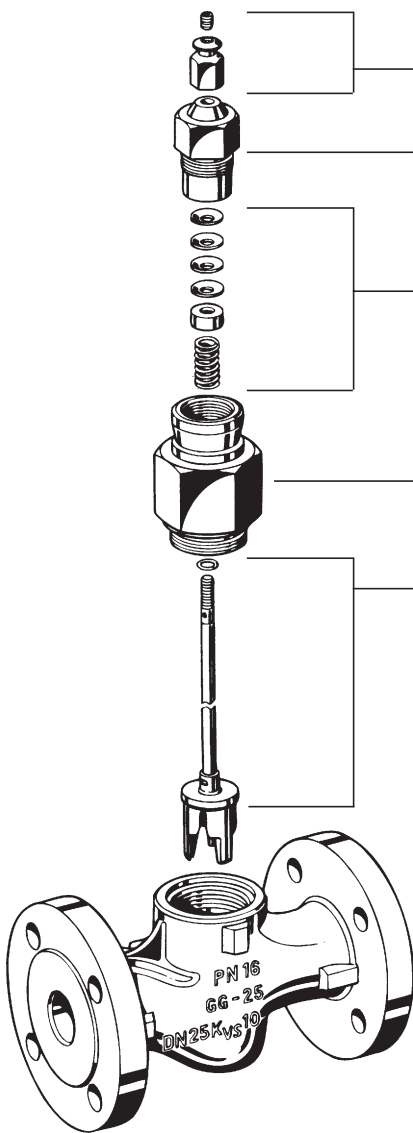
Spare Parts



Description	Valve size	Part-Number
Stem button assy (10 units)	DN 20–80	K43175080002
Packing nut	DN 20–80	S43189771001
Packing kit	DN 20–80	R43176754005
Body gasket (10 units)	DN 20 and 32 DN 40–65 DN 80	K43188174001 K43188174002 K43188174003
Sealing set assy	DN 40 and 50 DN 65 and 80	K43189779001 K43189779002
Plug assembly (valve stem, plug, body gasket)	kvs 0.25 kvs 0.40 kvs 0.63 kvs 1.0 kvs 1.6 kvs 2.5 kvs 4.0 kvs 6.3 kvs 10 kvs 16 kvs 25 kvs 40 kvs 63	K43189777001 K43189777002 K43189777003 K43189777004 K43189777005 K43189777006 K43189777007 K43189777008 K43189777009 K43189777010 K43189777011 K43189777014 K43189777015

V5328A 2-Way Large Linear Valve PN 16

Spare Parts

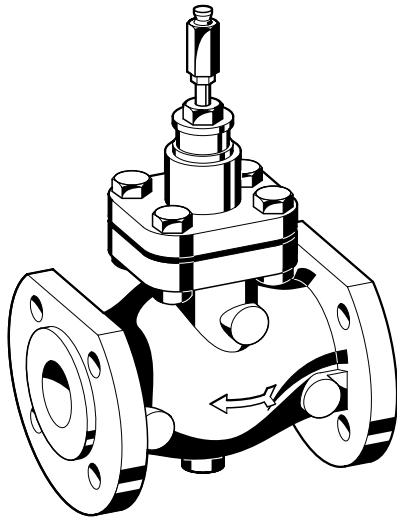


Description	Valve size	Order-Number
Stem button assy (10 units)	DN 15-32	K4317508001
	DN 40-80	K4317508002
Packing nut	DN 15-32	S310509D
	DN 40-80	S298562
Packing kit	DN 15-32 (Ø 6.35 mm)	R43176754001
	DN 40-80 (Ø 10 mm)	R43176754002
Bonnet		
Plug assembly (valve stem, plug and O-ring)	kvs 25	K43194032012
	kvs 40	K43194032013
	kvs 63	K43194032014
	kvs 100	K43194032015

V176A/B

2-Way Large Linear Valve
PN 16

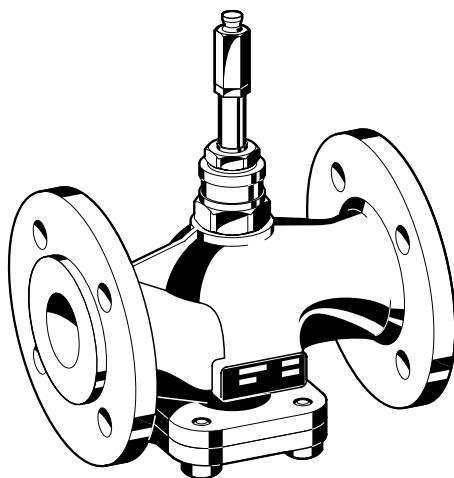
Spare Parts



Description	Valve size	Order-Number
Packing kit	DN 15-100	0903737

V5025B

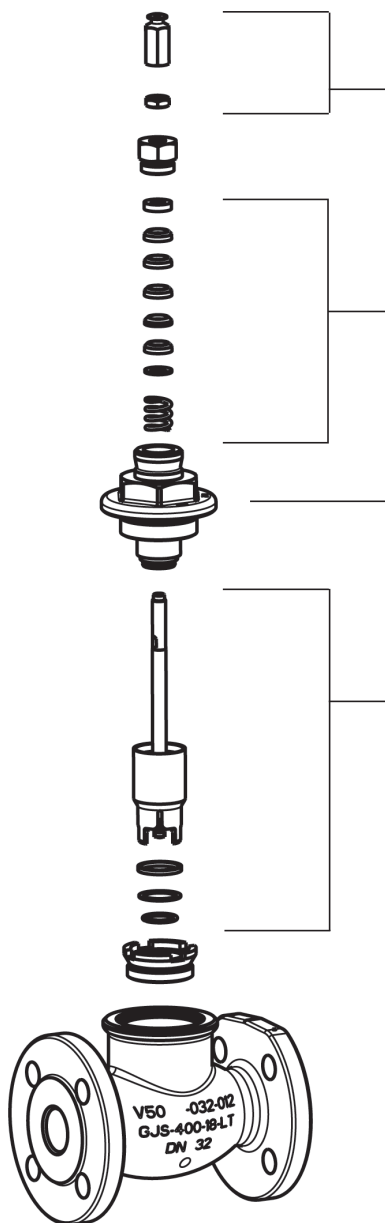
2-Way Large Linear Valve
PN 25



Description	Valve size	Order-Number
Packing kit	DN 15-65	0903738
	DN 80-150	0903739

V5016A / V5025A 2-Way Large Linear Valve PN 16/25

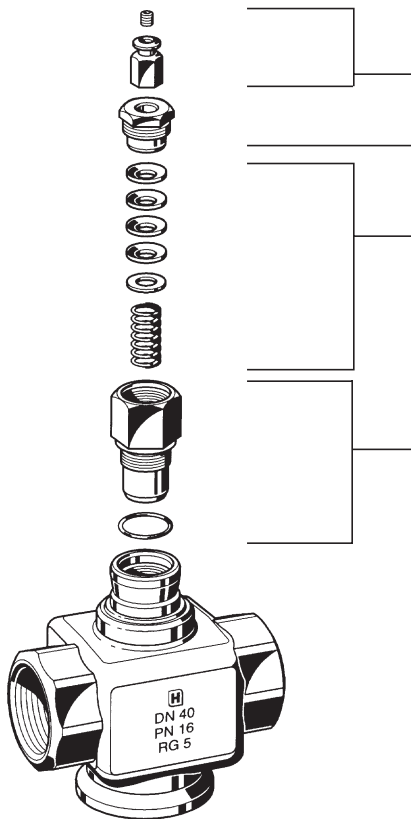
Spare Parts



Description	Valve size	Order-Number
Stem button assy (10 units)	DN 15–150	K43175080002
Packing kit	DN 15–80 (Ø 10 mm)	R43176755004
	DN 100–150 (Ø 16 mm)	R43176755005
Body gasket set (10 units DN 40–50) (5 units DN 65–150)	DN 40	0903836
	DN 50	0903846
	DN 65	0903847
	DN 80–100	0903848
	DN 125–150	0903849
Plug assembly (valve stem, plug, sealing)	kvs 25	0903837
	kvs 40	0903838
	kvs 63	0903839
	kvs 100	0903840
	kvs 160	0903841
	kvs 250	0903842
	kvs 360	0903843

V5013R/E 3-Way Large Linear Valve PN 16

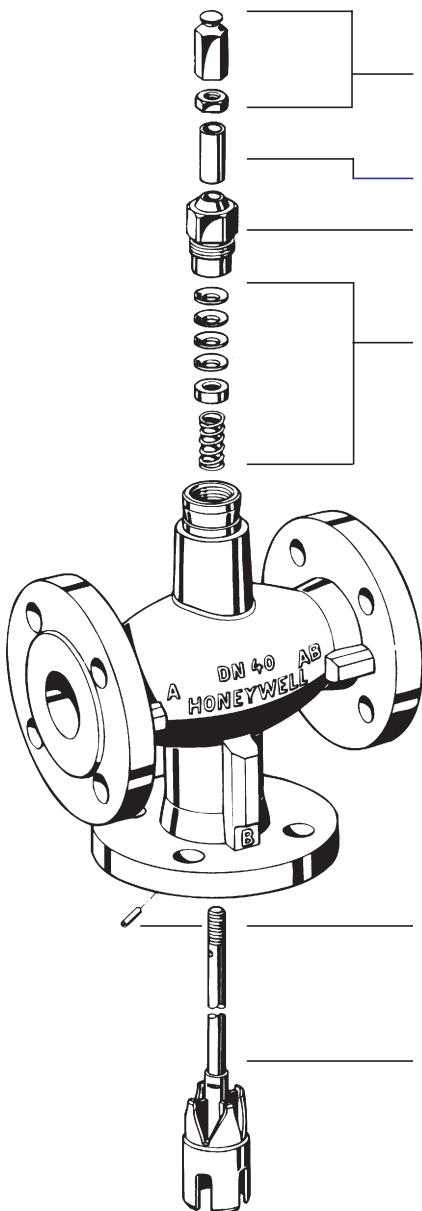
Spare Parts



Description	Valve size	Order-Number
Stern button assy (10 units)	DN 15-50	K43175080001
Packing nut (from Jan. 2003)	DN 15-50	0903835
Packing kit (till Dec. 2002)	DN 15-32	R43176754001
(from Jan. 2003)	DN 40 and 50	R43176754002
	DN 15-50	R43176754002
Packing nut (till Dec. 2002)	DN 15-32	0901788
	DN 40 and 50	0901789

V5015A, V5329A/C 3-Way Large Linear Valve PN 16/6

Spare Parts



Description	Valve size	Order-Number
Stem button assy (10 units)	DN 15–32	K43175080001
	DN 40–80	K43175080002
	DN 100–150	K43175080006
Spacer	DN 15–32	6048100
Packing nut	DN 15–32	S310509D
	DN 40–80	S298562
	DN 100–150	S29782
Packing kit	DN 15–32 (Ø 6.35 mm)	R43176754001
	DN 40–80 (Ø 10 mm)	R43176754002
	DN 100–150 (Ø 12 mm)	R43176754005
Pin stop plug		
Plug assembly (valve stem and plug; DN 100–150 also O-ring and rivet)	kvs 25	K43176799015
	kvs 40	K43176799016
	kvs 63	K43176799017
	kvs 100	K43176799018
	kvs 140	K43297819002
	kvs 220	K43297822002
	kvs 310	K43297825002

V5050A/B 3-Way Large Linear Valve PN 16/25/40

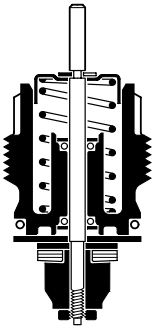
Spare Parts

Description	Valve size	Order-Number
Stem button assy (10 units)	DN 15-80	K43175080002
	DN 100-150	K43175080005
Packing nut	DN 15-80	S43297006001
	DN 100-150	S43297992001
Packing kit	DN 15-80 (Ø 10 mm)	R43176755004
	DN 100-150 (Ø16 mm)	R43176755005
Screws (4 pcs)		
Bonnet		
Body gasket (10 units)	DN 15-32	K43188174001
	DN 40-65	K43188174002
	DN 80-100	K43188174003
	DN 125-150	K43188174004
Seat ring	DN 40	S43297103001
	DN 50	S43296983001
	DN 65	S43297102001
	DN 80-100	S43297789001
	DN 125-150	S43297991001
Plug assembly (valve stem, locking nut, body gasket and two plugs)	kvs 25	K43298808001
	kvs 40	K43298819001
	kvs 63	K43298826001
	kvs 100	K298838
	kvs 160	K298853
	kvs 250	K299009
	kvs 360	K43299020002
Seat ring	DN 40	S43298804001
	DN 50	S43298815001
	DN 65	S43298822001
	DN 80-100	S43298834001
	DN 125-150	S43299004001

V58...2A, V58...3A/C

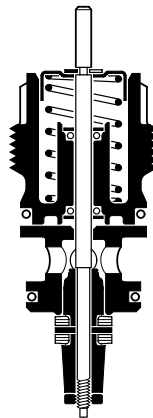
2/3-Way Small Linear Valves
DN 15/20 PN 16

Spare Parts



V5812/22/32/52/62A
2-way valve inserts

kvs value	DN	Order-Number
0.16	15	0902812
0.25	15	0902811
0.40	15	0902810
0.63	15	0902809
1.0	15	0902808
1.6	15	0902807
1.6	15	0902813*
2.5	20	0902814
4.0	20	0902815
2.5	20	0902816*



V5813/23/33/53/63A/C
3-way valve inserts

kvs value	DN	Order-Number
0.25	15	0902821
0.40	15	0902822
0.63	15	0902823
1.0	15	0902824
1.6	15	0902825
1.6	15	0902817*
2.5	20	0902818
2.5	20	0902826* ²
4.0	20	0902819
4.0	20	0902827* ²
2.5	20	0902820*

*on-off version

*²for 180N actuators only

The following valve inserts are interchangeable

- **Two-way-valves:** kvs 0.16; 0.25; 0.40 and 0.63
kvs 1.0 and 1.6
kvs 2.5 and 4.0
- **Three-way-valves:** kvs 0.25; 0.40; 0.63 and 1.0
kvs 2.5 and 4.0

V5078A/B

3-Way Small Linear Valve

PN 16

Spare Parts

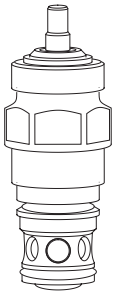
Description	Valve size	Order-Number
Valve insert	DN 15, 20	0900656
	DN 25, 32	0900657
	DN 40, 50	0900658

V5825B

2-Way Small Linear Valve

PN 25

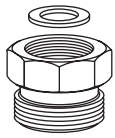
Spare Parts



Description	Valve size	Order-Number
Valve insert	kvs 0.25	0903809
	kvs 0.40	0903810
	kvs 0.63	0903811
	kvs 1.0	0903812
	kvs 1.6	0903813
	kvs 2.5	0903814
	kvs 4.0	0903815
	kvs 6.3	0903816
	kvs 10	0903817

V5872B 2-Way Small Linear Valve PN 16

Spare Parts



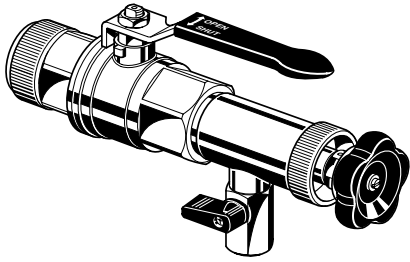
Description	Valve size	Order-Number
Valve adapter kit	kvs 0.25	AK15-15
	kvs 0.40	AK15-15
	kvs 0.63	AK15-15
	kvs 1.0	AK15-15
	kvs 1.6	AK15-15
	kvs 2.5	AK20-15
	kvs 4.0	AK20-25
	kvs 6.3	AK25-25
	kvs 10	n.a.

The V5872B will be replaced with V5825B. To adapt to same installation dimensions please use described valve adapter kit.
For reference an replacement valve see below list:

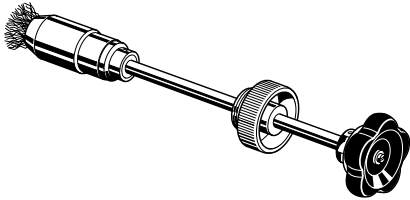
Replaced valve	Replacement	Valve size	Order-Number
V5872B1003	V5825B1001	kvs 0.25	AK15-15
V5872B1011	V5825B1019	kvs 0.40	AK15-15
V5872B1029	V5825B1027	kvs 0.63	AK15-15
V5872B1037	V5825B1035	kvs 1.0	AK15-15
V5872B1045	V5825B1043	kvs 1.6	AK15-15
V5872B1052	V5825B1050	kvs 2.5	AK20-15
V5872B1060	V5825B1068	kvs 4.0	AK20-25
V5872B1078	V5825B1076	kvs 6.3	AK25-25
V5872B1086	V5825B1084	kvs 10	n.a.

Accessories

Spare Parts

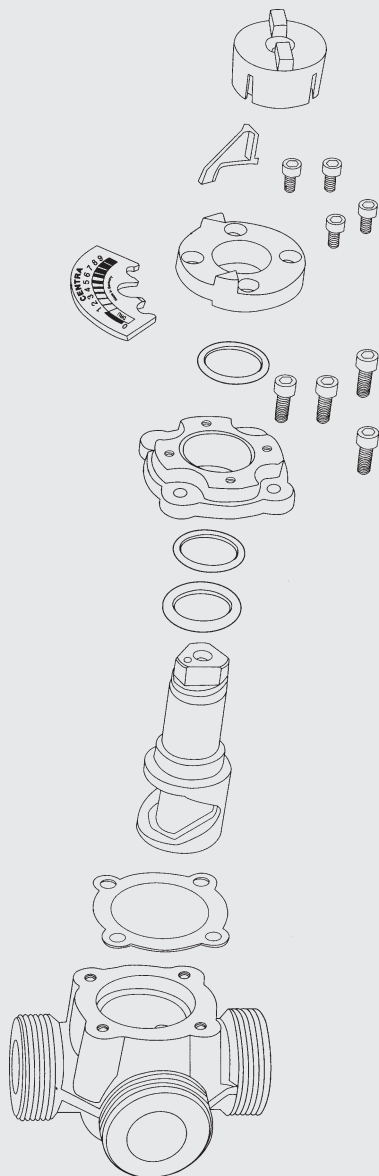


Description	Order-Number
Insert replacement tool	WV108M
Valve seat brush	WV108B



Rotary Valves & Actuators

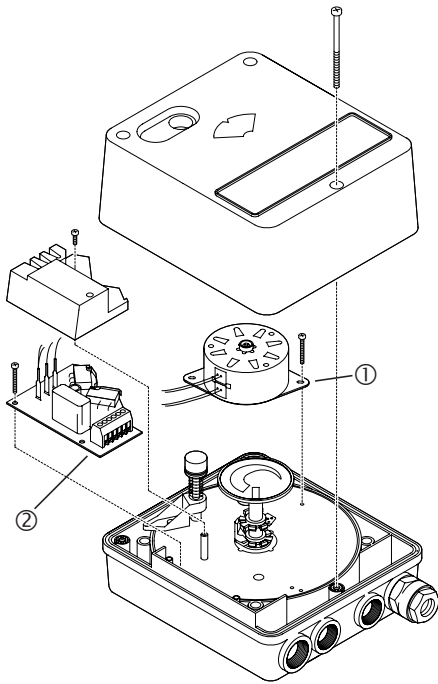
Electric Rotary Actuators
Rotary Valves



M6061A,L / M7061E

Electric Rotary Actuator

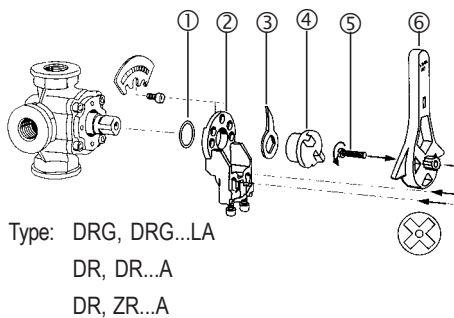
Spare Parts



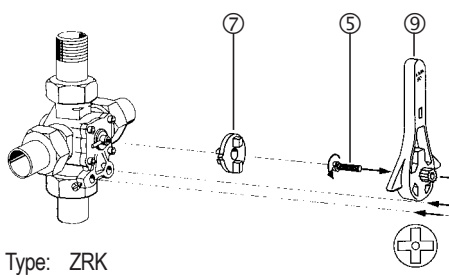
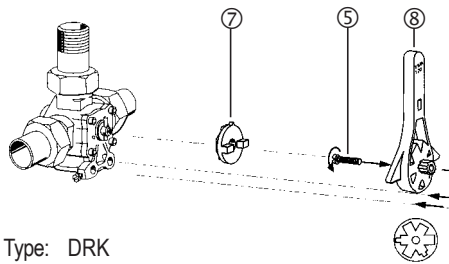
Description	Part-No.*	M6061							
		A1013	A1021	A1039	A1047	L1019	L1027	L1035	L1043
① Synchronous motor 230 V for M6061L	030000345 030000430					•	•	•	
Synchronous motor 24 V for M6061A	030000432 030000531	•	•	•	•				
② PCB 230 V for M6061L	030000346					•	•	•	•
PCB 24 V for M6061A	030000433 030000498	•	•	•	•				

DR (V5431A,F) / ZR (V5441A,F) + DRK / ZRK Rotary Valve Linkage

Spare Parts

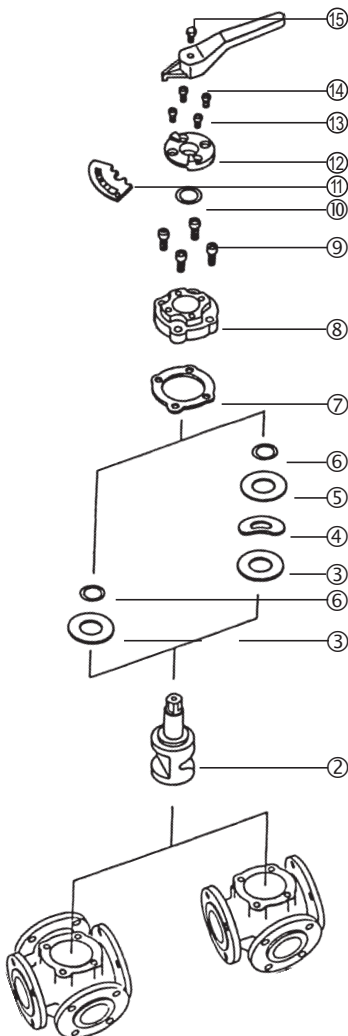


Description	Part-No.*	
Pointer for valves up to DN 65	030000175	③
Pointer for valves bigger than DN 80	030000130	③
Mounting set for Universal 3 or 4 way mixing valves DR (V5431), ZR (V5441):		
M6061 Mounting Set	ATK2040A	① ② ③ ④ ⑤ ⑥
Mounting plate	030000302	②
Handle	030000518	⑥
Coupling	030000526	④
Mounting set for compact 3-way mixing valves DRK:		
M606I Mounting set	030000406	⑤ ⑦ ⑧
Handle	030000517	⑧
Mounting set for 4-way compact mixing valves ZRK:		
M606I Mounting set	030000407	⑤ ⑦ ⑨
Handle for V5442	030000516	⑨
Coupling for V5442	030000525	⑦



V5431A,F / V5441A,F 3/4-Way Rotary Valves PN 10

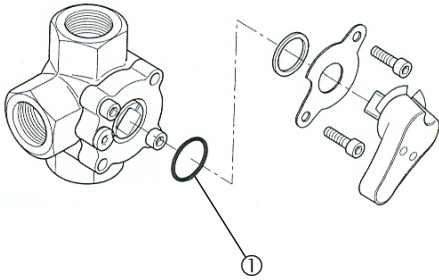
Spare Parts
(from Datecode 1988)



Description	Part-No.*	
Complete sealing package including lock and pressure washers DN 15-40	019001030	③ ④ ⑤ ⑥ ⑦ ⑩
DN 50-65	019001040	
DN 80-100	019001050	
DN 125-200	019001060	③ ④ ⑤ ⑥ ⑦ ⑩
O-ring-seal complete with screws O-ring for O-ring-sealing (ca. 25/32 mm)	030000114	⑫
	071099535	⑩
Grease tube ca. 10 g	030000278	
Valve sealing (complete with O-ring seal, O-ring and screws) DN 15-25	030000105	③ ④ ⑤ ⑥ ⑦ ⑧ ⑨ ⑩
DN 32-40	030000106	⑫ ⑬
DN 50-65	030000107	
DN 80-100	030000108	
DN 125-200/1	030000392	
Plug V5441F, A or ZR, DR-FA or ZR, DR-MA DN 15	030000110	②
DN 20	030000110	
DN 25	030000111	
DN 32	030000112	
DN 40	030000113	
DN 50	030000162	
DN 65	030000164	
DN 80	030000165	
DN 100	030000168	
DN 125/1	030000388	
DN 150/1	030000390	
DN 200/1	030000391	
Plug V5431F, A or DR-GFLA, GMLA DN 15 (DR15-2 GMLA)	030000404	②
DN 15 (DR15-4 GMLA)	030000099	
DN 20	030000099	
DN 25	030000121	
DN 32/40	030000100	
DN 50	030000101	
DN 65	030000102	
DN 80	030000103	
DN 100	030000104	
DN 125/1	030000387	
DN 150/1	030000389	
Handle kit (complete with screw) DN 15-65	030000115	⑭ ⑮
DN 80-200	030000098	
Scale V5441F, A - DN 15-65	030000118	⑪
V5441F, A - DN 80-200	030000120	
DR - DN 15-65	030000117	
DR - DN 80-125	030000123	
V5431F, A - DN 15-65	030000116	
V5431F, A - DN 80-100	030000119	

V5433A / V5442A 3-Way Compact Rotary Valve PN 10

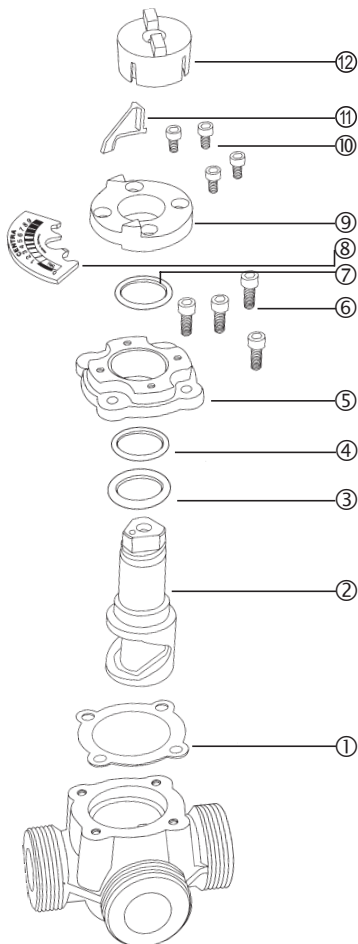
Spare Parts



Description	Part-No.*	
Seal assembly for V5433A DN20...32 V5442A DN20...32	071161036	①
Seal assembly for V5433A DN40...50	071161037	①

V5434H,T 3-Way Rotary Valve PN 10

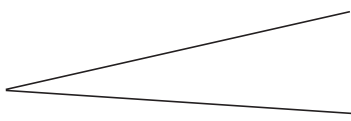
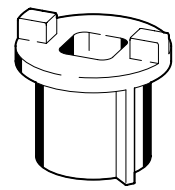
Spare Parts



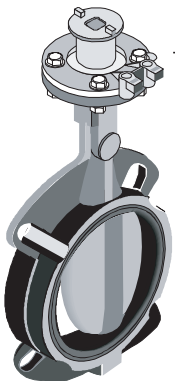
Description	Part-No.*	
Plug		⑫
V5434T1010	030000434	
V5434T1028	030000435	
V5434T1036	030000436	
V5434T1044	030000437	
V5434T1051	030000438	
V5434T1069	030000439	
V5434T1077	030000440	
V5434T1085	030000441	
Internal threaded socket with gaskets and cap nut, V5434H1001	STU25	
Internal threaded socket with gaskets and cap nut, V5434H1019	STU32	
Set V5434H1001	030000452	
Set V5434H1019	030000453	
Isolation for V5434H DN 25	030000450	
Isolation for V5434H DN 32	030000451	
Isolation for V5434T DN 25	030000449	
Isolation for V5434T DN 32	030000448	
Welding socket with gaskets and cap nut, DN 25	WTU25	
Welding socket with gaskets and cap nut, DN 32	WTU32	
Soldering socket with gaskets and cap nut, DN 25	LSU25-18	
Soldering socket with gaskets and cap nut, DN 25	LSU25-22	
Soldering socket with gaskets and cap nut, DN 25	LSU25-28	
Soldering socket with gaskets and cap nut, DN 32	LSU32-22	
Soldering socket with gaskets and cap nut, DN 32	LSU32-28	
Scaling package		① ③ ④ ⑤ ⑥ ⑦ ⑨ ⑩
O-ring seal with O-ring and screws DRU 25	030000105	
DRU 32	030000106	
Handle V5434T	030000447	
Scala V5434T	030000442	⑧
Pointer V5434T	030000443	⑪
Coupling (linkage element between valve and actuator)	030000444	⑫
Sealing package	019001030	① ③ ④ ⑦ ⑨
O-ring seal with screws	030000114	⑨ ⑩
O-ring for ring seal	071099535	④
V 5434 T coupling (complete)	030000460	⑪ ⑫

V5421B Butterfly Valves

Spare Parts



Description	Part-No.	V5421B									
		1009	1017	1025	1033	1041	1058	1066	1074	1082	1090
Coupling to install M6061, M7061 on V5421B	VCU40 VCU100	•	•	•		•	•	•	•		
Coupling to install M6061 on V5421B	VCU150 VCU200								•	•	•
Universal console	VCO1	•	•	•	•	•	•	•	•	•	



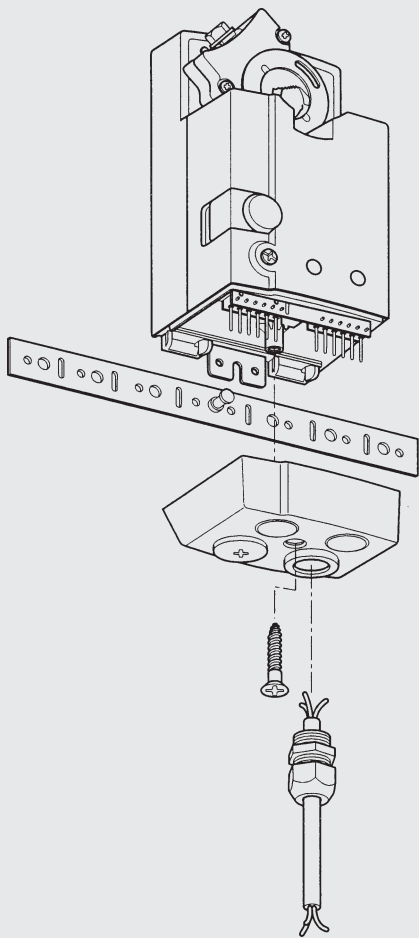
V5422L Butterfly Valves

Spare Parts



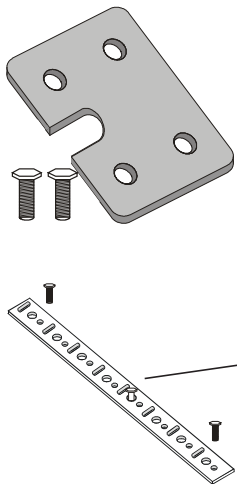
Description	Part-No.	V5421B			
		1006	1014	1022	1030
Motor for V5422L	M6422L1005	•	•		
	M6422L1005			•	
	M6422L1005				•

Direct Coupled Actuators



Damper Actuators

Spare Parts



Description	Part-No.	Non-Spring Return	
		N 20 xxx	N 34 xxx
Spare Parts Kit*	A7209.2071	•	•
SM Mounting Kit**	A7209.2072	•	•
Anti-rotation Kit***	A7209.2073	•	•
Wiring box with 20 mm outlets	WB20	•	•

* Spare Parts Kit contains:

- Anti-rotation brackets and 2 screws
- SM Mounting plate and 2 screws
- Wiring box screw
- Plastic protective cap for protection standard IP54
- Mechanical end limit screw and retainer

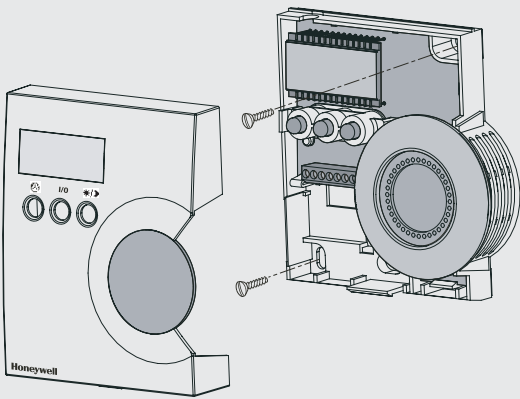
** SM Mounting Kit contains:

- 10 SM mounting plates
- 20 screws

*** Anti-rotation Kit contains

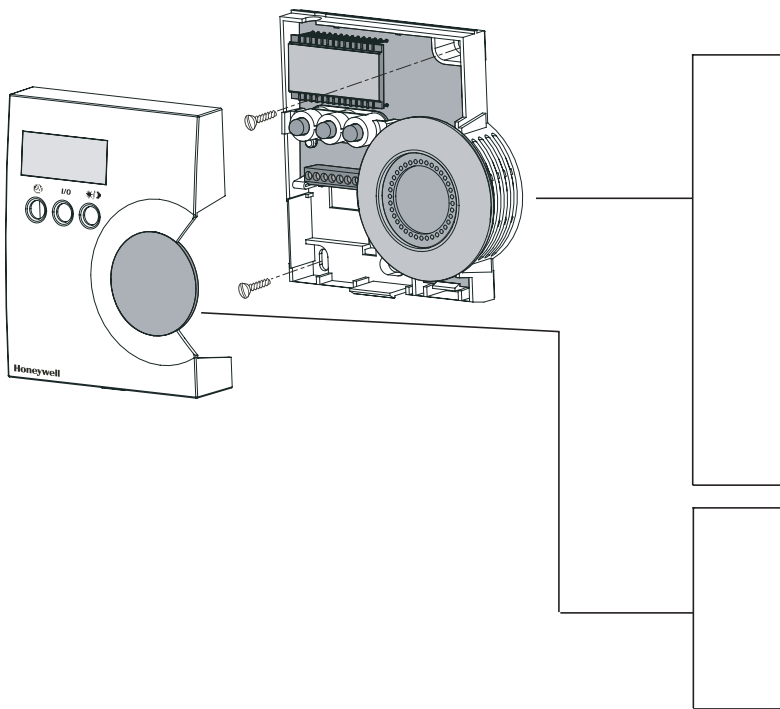
- 10 anti-rotation brackets
- 20 screws

Wall Modules



Sets for T7460/T7560/T7270

Spare Parts



Description	Part-No.	T7460	T7560	T7270
Round knob, blue	WMSPS-3	•	•	
Round knob, white	WMSPS-4	•	•	
Setpoint wheel, unprinted, blue	WMSPS-5		•	
Setpoint wheel, unprinted, white	WMSPS-6		•	
Setpoint wheel, printed, blue	WMSPS-7			•
Setpoint wheel, printed with +/-5K scale, blue T7460B to F	WMSPS-8	•		
Blind cover over setpoint wheel, blue	WMSPS-1	•	•	
Blind cover over setpoint wheel, white	WMSPS-2	•	•	
Setpoint pack	WMSPS-9		•	
Fanspeed knob T7460D,E,F	WMSPS-10	•		
Occupancy pushbutton T7460C,E,F	WMSPS-11	•		

Automation & Control Solutions

Honeywell GmbH
Böblinger Strasse 17
71101 Schönaich
Phone (49) 7031 637 01
Fax (49) 7031 637 493
www.honeywell.com

EN3B-0298GE51 R0706
July 2006
© 2006 Honeywell International Inc.

Honeywell