

Gas burner automatic safety control

For 2-stage forced draught and combi oil/gas burners

Possible flame detectors:

- Ionization probe
- Infrared flicker detector

INTRODUCTION

The gas burner automatic safety control MMI controls and monitors blown gas- and combined burners of any nominal thermal load (tested and certified according to EN 298).

The automatic safety controls MMI 810.1 models 13, 33 and 35 can also be utilized for burners on fixed hot air heaters (Direct air heaters according to DIN 4794).

Various types and model designations differentiate the automatic safety controls with respect to the programme times, as well as with regard to differing national standards.

TYPES AVAILABLE

MMI 810.1	Mod. 13 *	Art. Nr. 0620720
	Mod. 33	Art. Nr. 0620220
	Mod. 35	Art. Nr. 0620920
	Mod. 43	Art. Nr. 0622520
	Mod. 55	Art. Nr. 0621320
MMI 811.1	Mod. 35	Art. Nr. 0621120
	Mod. 63	Art. Nr. 0620420

* Must only be used on boilers or other applications where the 10 second pre-purge time is sufficient to provide at least 3 volume changes of the combustion chamber.

CONSTRUCTIONAL FEATURES

The automatic control is housed in a non-inflammable, transparent, plug-in type plastic case and contains:

- Synchronous motor with speed reducer gears as the drive for the switching cam
- Switching cam with informative programme display in colour
- 12 times cam drive for controlling the programme sequence
- Plug-in type circuit boards with the electronic components

The following important indicating - and operating elements are located on the front panel of the automatic control:

- Illuminated pushbutton for indication of malfunctions and reset
- Programme display in colour
- Screw for central mounting



TECHNICAL DATA

Operating voltage	220 / 240 V (-15... +10%) 50 Hz (50 - 60 Hz)
Differing frequency	Results in a proportional deviation of the time.
Rating fuse	max. 10 A rapid, 6 A slow
Power consumption	10 VA
Max. load per output:	
- term. 3	2A, cos φ 0.2
- term. 4, B	2A, cos φ 0.4
- term. 5, 6	1A, cos φ 0.4
total load	5A, cos φ 0.4
Amplifier sensitivity	1 μA
Minimum required ionization current	5 μA
Flame detector cable	max. 20 m cable length
Air pressure monitor	working contact 4 A, 230 V
Waiting time for malfunction remedy	None
Flame detector	
- Ionization probe	
- Infrared flicker detector	IRD 1020
Weight, incl. base	350 g
Mounting position	any
Insulation standard	IP 44
Admissible ambient temperature for controller and flame detector	-20° C... +60° C
Classified acc. to EN 298	BTLXN

program timings (sec.)	MMI 810.1					811.1	
	13	33	35	43	55	35	63
Modell							
Waiting time at start ca. tw	6	9	9	9	9	9	6
Max. reaction time for air proving switch tlw	3.5	6	6	6	17	6	5
Pre-purge time tv1	3	24	24	40	20	24	55
Pre-ignition time tvz	2	3	3	3	15	3	3
T. ignition time tz	5	6	8	6	20	8	5.5
Safety time ts	3	3	5	3	5	5	3
Time delay term.6/term.C tv2	6	10	10	10	10	10	6

For external resetting, the remote reset device FR 870 (art. No. 70700) can be utilized. (Refer to doc. 750).

APPLICATION TECHNOLOGY FEATURES

1. Flame Monitoring

The flame monitoring can be effected with the following flame detectors:

- With ionization electrodes in power grids with earthed neutral conductor, utilizable with gas burners (interference effects of the ignition spark cannot influence the formation of the flame signal).
- With infrared flicker detector type IRD 1020 for all types of burners.

2. Burner Control

- The burner controls features a low-voltage protection. If the supply voltage drops below 160 V during operation, the burner switches-off. When the supply voltage raises above 180 V, the burner performs a restart independently.
- The automatic burner controls MMI only operate, when a load is connected to terminal 5. If the fuel valve is interrupted by an external contact during the pre-purging phase, a resistance of max. 22 kW, 4 Watt has to be applied between the terminals 5 and 8.
- Functional test of the air pressure monitor before the startup and monitoring of the air pressure during the pre-purging time, as well as in the operating condition of the burner. For normal applications a working contact with a power rating of 4 A / 230 V is sufficient.
- In the case of the automatic control MMI 810.1, contacts can be installed between the terminals 1 and 9 (e.g., valve limit position contacts). These are checked for their correct closing position when the unit is started up. The connection 1 - 9 has to be closed during the starting phase of the automatic control.

3. Safety

With respect to design and programme sequence, the gas burner automatic safety controls of the MMI type range comply with the currently applicable European standards and regulations.

4. Mounting and Electrical Installation

On the base:

- 3 earth conductor terminals with additional strap for the earthing of the burner.
- 3 neutral conductor terminals with an internal, fixed connection to the neutral conductor input, terminal 8.
- 2 individual slide-in plates and 2 fixed knock-out apertures with thread PG 11, as well as 2 knock-out apertures from below, make the wiring of the base more easy.

General:

- Mounting position as required, insulation standard IP 44 (splash-proof). The automatic control and sensor should, however, not be exposed to excessive vibration.
- During mounting and installation, the applicable regulations for installation have to be observed.

COMMISSIONING AND SERVICE/MAINTENANCE

1. Important Remarks

- Before commissioning, the wiring has to be accurately checked. Faulty wiring can damage the unit and endanger the safety of the installation.
- The mains fuse has to be selected so that the limit values indicated under "Technical Specifications" are under no circumstances exceeded. Non-compliance with this regulation can have very serious consequences for the control unit and for the installation in the case of a short-circuit.
- For safety reasons, at least one control shut-down per 24 hours must be assured.
- The control unit must be plugged-in or -out only when the mains supply has been disconnected.
- Automatic burner safety controls are safety devices and must not be opened.

2. Functional Check

During commissioning and after an overhaul of the burner, the following checks have to be carried out:

- a) Starting test with closed manual valve and bridged gas monitor contact:
 - The device must go into a fault condition after the safety period has elapsed.
- b) Close the manual valve in operating position with the gas monitor contact bridged.
 - The device must go into a fault condition after a flame failure.
- c) Air pressure monitor contact interrupted:
 - Device goes into a fault condition.
- d) Bridge air pressure monitor contact before starting:
 - Device must not start.

3. Trouble Shooting

Burner does not go into operation, programme indication remains:

- Electrical connection defective.
- Thermostat or gas monitor "OFF".

Burner does not go into operation, programme indication rotates continuously:

- Air pressure monitor defective, respectively, not in starting position. (Working contact must be open).
- Connection term. 1 - term. 9 interrupted
- mains voltage < 180V

The automatic control switches to fault condition shortly after the start of the pre-purge time (line within the blue zone):

- Air pressure monitor contact does not close.
- No load on terminal 5.
- Flame signal.

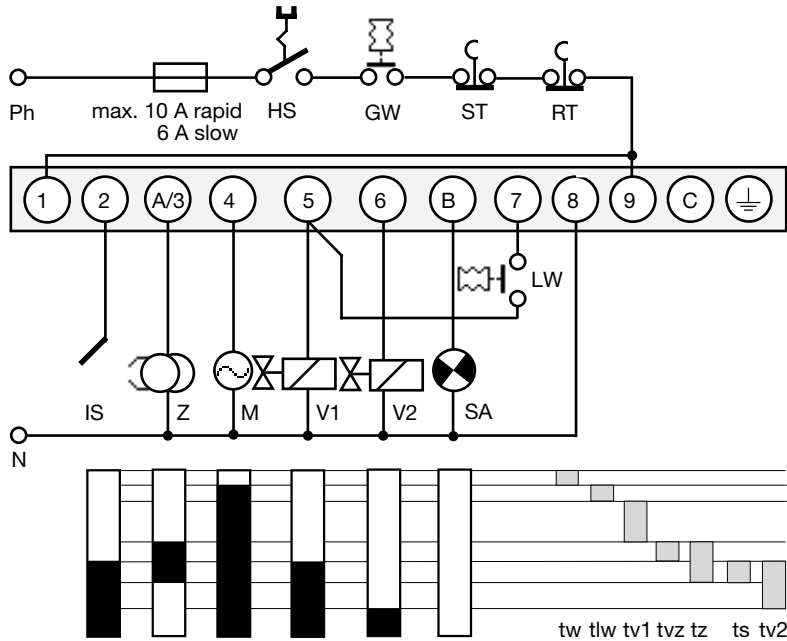
Automatic control switches to fault condition during the pre-purging (blue zone):

- No flame formation (ignition missing, valve does not open, etc.)
- No flame signal or too weak flame signal (flame does not adhere, poor insulation of the flame detector, burner not properly connected to the earth conductor).

Automatic control switches to fault condition during the operating position (red, resp. green zone):

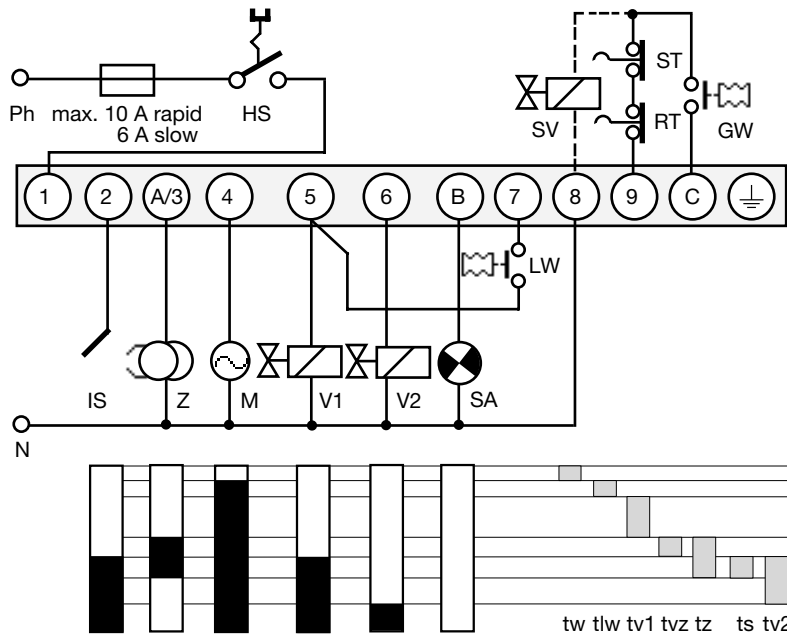
- Flame lift-off
- Air pressure monitor contact opens
- Flame signal too weak.

SCHEMATIC CONNECTION DIAGRAM AND PROCESS DIAGRAM MMI 810.1



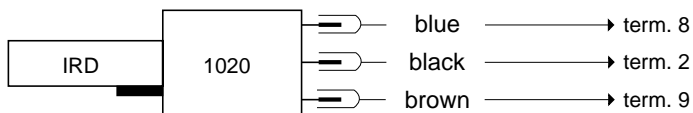
- HS Main switch
- GW Gas pressure switch
- ST Limit thermostat
- RT Control thermostat
- IS Ionization probe
- Z Ignition
- M Burner motor
- V1 Solenoid valve 1st stage
- V2 Solenoid valve 2nd stage
- LW Air pressure monitor
- SA External fault indication
- SV Safety valve

SCHEMATIC CONNECTION DIAGRAM AND PROCESS DIAGRAM MMI 811.1

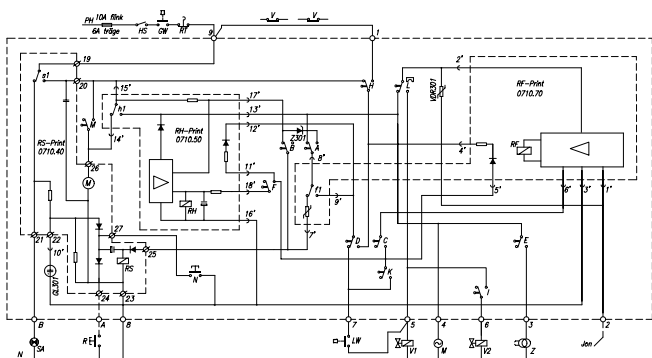


- tw Waiting time at start-up
- tlw Max. reaction time for air proving switch
- tv1 Pre-purge time
- tvz Pre-ignition time
- tz Total ignition time
- ts Safety time
- tv2 Time delay term.6 / term.C

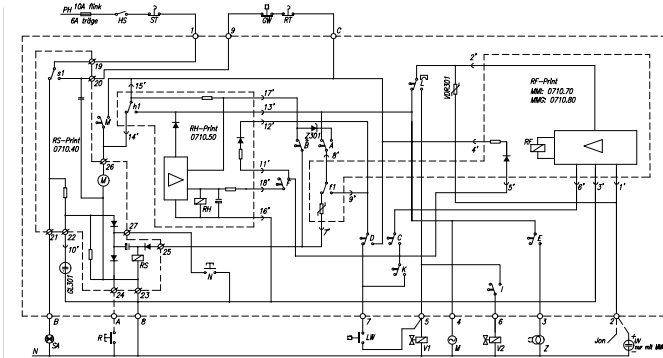
IRD CONNECTION



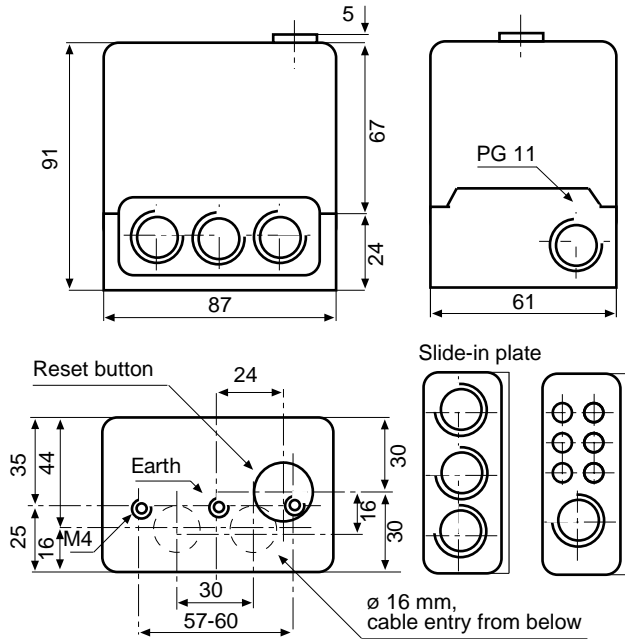
SCHEMATIC DIAGRAM MMI 810.1



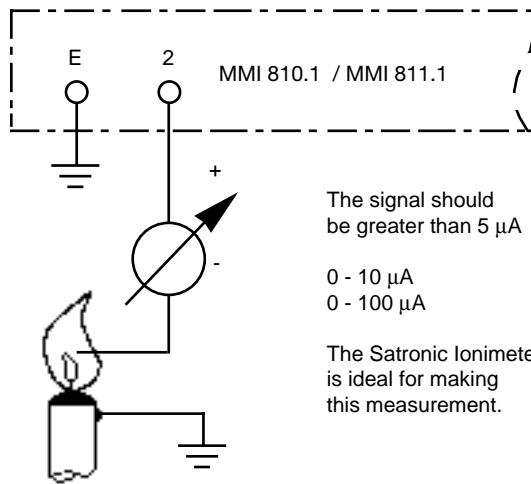
SCHEMATIC DIAGRAM MMI 811.1



MMI WITH BASE



MEASUREMENT OF THE FLAME SIGNAL

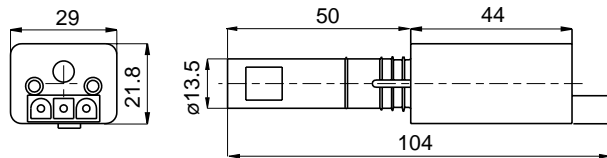


The signal should be greater than 5 μA

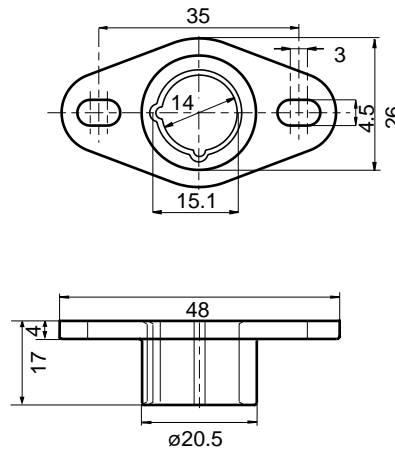
0 - 10 μA
0 - 100 μA

The Satronic Ionimeter is ideal for making this measurement.

IRD 1020



HOLDER M93



ORDERING INFORMATION

ITEM	DESIGNATION	ITEM NO.
Control unit	Type MMI 810.1 mod. 33	0620220
or	Type MMI 811.1 mod. 35	0621120
Base for MMI 810.1	Base 701 TTG-EN	70101
Base for MMI 811.1	Base 710 TTG-FN	70102
Slide-in plate	PG-plate	70502
optionally	Cable clamping plate	70501
Flame detector	IRD 1020 end-on viewing	16522
Flame detector	IRD 1020 side-on left	16523
Flame detector	IRD 1020 side-on right	16521
IRD mounting flange	IRD Holder M93	59093
Flame detector cable	3-wire, 0.6 m	7236001

The above ordering information refers to the standard version. Special versions are also included in our product range.

Specifications subject to change without notice.

MMI 810.1 / 811.1

A Honeywell Company

Satronic AG
Honeywell-Platz 1
Postfach 324
CH-8157 Dielsdorf