

# VG400SA Series

## CLASSE "A" SEMI-AUTOMATIC SAFETY VALVE VG400SA



### FEATURES

- Class "A" safety valves designed according to EN161 European standards.
- Normally open valve.
- Closing time: <1 sec.
- Manual opening, closing when electrically energized.
- Suitable for permanent energization.
- Coil field replaceable.

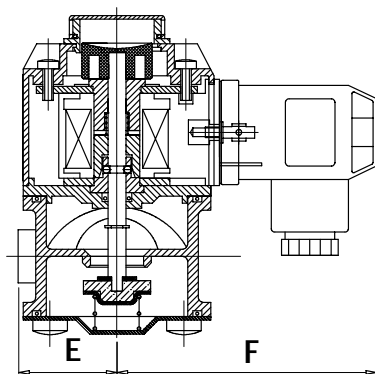
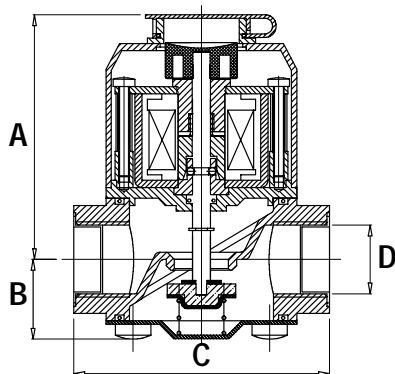


Fig. 13. Dimensional drawing VG400SA Series

### APPLICATION

Normally open, manually closed solenoid valve series, particularly recommended for the safety of gas consuming appliances controlled by leak detection systems.

### SPECIFICATION

#### Model

VG400SA

#### Dimensions

See figure and table.

#### Pipe sizes

Inlet and outlet 1/2" up to 1", internal pipe thread according to ISO7-1.

#### Mounting and orientation

The valve may be assembled on the pipeline within plus or minus 90 degrees of the vertical axis and 30 cm. air space around the coil assy.

#### Capacity

See capacity curves VG400SA Series on page 68.

#### maximum operating pressure

500 mbar.

#### Torsion and bending stress

Pipe connections meet group 2, according EN161.

#### Supply voltage

Line voltage: 220...240Vac, 50/60Hz  
24 Vac, 50/60Hz  
12 Vdc

#### Ambient temperature range

-15 ... 60 °C

#### Electrical connection

Three pin plug connector according ISO4400

#### Coil insulation solenoid valves

Insulation material according to class F

#### Enclosure

IP65

#### Valve body

Aluminium alloy die-cast

#### Strainer

AISI 303

#### Closing spring

AISI 302

#### Seals and gaskets

Hydrocarbon resistant NBR rubber type.

#### Standards and Approvals

The VG400SA Normally open safety solenoid valve Series meets Class "A" specifications according EN161.

The VG400SA Series conforms with the following EC directives:

- Gas Appliance Directive (90/396/EEC)  
PIN: CE0063AS1865
- Low Voltage Directive (73/23/EEC)
- Electro Magnetic Compatibility Directive (89/336/EEC)

**Table 15. VG400SA Series normally open safety solenoid valves, Class “A”.**

O.S. number	Rated Voltage (Vac)	Connect. (inch)	Passing DN	Maximum operating Pressure (mbar)	Overall dimensions (mm)						Power Cons. (W)	Enclosure	Weight (kg)
					A	B	C	D	E	F			
VG415SA1002	220 ... 240	1/2"	15	500	68	22	71	1/2"	28	74	11	IP65	0.4
VG815SA1016	24	1/2"	15	500	68	22	71	1/2"	28	74	11	IP65	0.5
VG815SA1008	12 Vdc	1/2"	15	500	68	22	71	1/2"	28	74	11	IP65	0.5
VG420SA1005	220 ... 240	3/4"	20	500	75	27	91	3/4"	32	74	11	IP65	0.4
VG820SA1019	24	3/4"	20	500	75	27	91	3/4"	32	74	11	IP65	0.4
VG820SA1001	12 Vdc	3/4"	20	500	75	27	91	3/4"	32	74	11	IP65	0.5
VG425SA1000	220 ... 240	1"	25	500	75	27	91	1"	32	74	11	IP65	0.4
VG825SA1014	24	1"	25	500	75	27	91	1"	32	74	11	IP65	0.5
VG825SA1006	12 Vdc	1"	25	500	75	27	91	1"	32	74	11	IP65	0.5