

VF5000 Series

MANUALLY OPERATED BUTTERFLY VALVE VF5000A3/R3



FEATURES

- Standard flanging to fit between two flanges in accordance with DIN 2633.
- Valve position indicator scale from 0 to 90 degrees scale.
- Valve plate can be locked in any position.
- Easily convertible from manual to motorized.
- The valve is not designed to be leaktight, leakage up to 2% when in closed position.

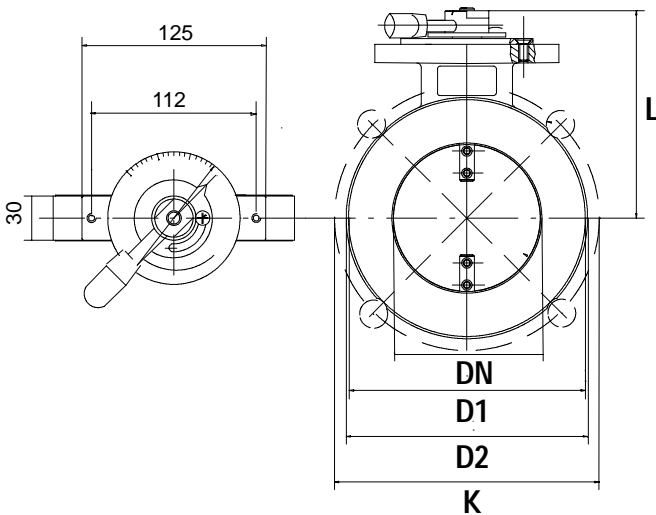


Fig. 22. Dimensional drawing VF5000A3/R3 Series

APPLICATION

The VF5000 Series manually operated butterfly valves are used to control and govern the burner airlock of gas fired burners. The VF5000 Series can be equipped with the MT4000 Series and MF4000 Series servomotors. The choice of the servomotor depends on the working pressure and size of the butterfly valve. The MF4000 Series is typically used in 500 mbar maximum working pressure applications and on sizes DN50 and larger.

SPECIFICATION

Model	
VF5000A3	Manually operated butterfly valve with option to mount MT4000 and MF4000 Series servo motors.
VF5000R3	Butterfly valve with reduced capacity and option to mount MT4000 and MF4000 Series servo motors

Dimensions

See figure and table

Pipe sizes

Inlet and outlet flanged connection DN25 up to DN150 according to PN16 ISO 7005-1.

Mounting and orientation

Without motor there are no restrictions on the mounting orientation of the valve. When an actuator is used the valve may be assembled on the pipeline within plus or minus 90 degrees of the vertical axis.

Capacity

See capacity curves VF5000 Series on page 73.

Maximum operating pressure

500 mbar

Ambient temperature range

-15 ... 100 °C

Valve body

Aluminium alloy die-cast

Valve plate shaft

AISI 303 stainless steel

Seals and gaskets

Viton O-ring seals.

Standards and Approvals

The VF5000 Series manually operated butterfly valves conform with the following EC directive:

- Gas Appliance Directive (90/396/EEC)

PIN: CE-0063AR1583

Table 25. VF5000A3 Series, manually operated butterfly valve, with option to mount MT4000 or MF4000 Series servo motors.

O.S. Number	Passing DN	Maximum Operating Pressure (mbar)	Overall Dimensions (mm)				Weight (kg)
			L	D1	D2	K	
VF5025A3007	25	500	101	71	84	85	0.95
VF5032A3003	32	500	101	81	84	100	1
VF5040A3006	40	500	107	93	95	110	1.1
VF5050A3005	50	500	114	108	110	125	1.25
VF5065A3003	65	500	125	129	132	145	1.4
VF5080A3002	80	500	132	141	144	160	1.6
VF5100A3008	100	500	141	161	164	180	1.8
VF5125A3005	125	500	156	191	194	210	2.2
VF5150A3003	150	500	169	217	220	240	2.5

K = diameter of bolt circle

Table 26. VF5000R3 Series, manually operated butterfly valve with reduced capacity and option to mount MT4000 or MF4000 Series servo motors.

O.S. Number	Passing DN	Maximum Operating Pressure (mbar)	Overall Dimensions (mm)				Weight (kg)
			L	D1	D2	K	
VF5025R3009	20	500	101	71	84	85	0.95
VF5032R3005	25	500	101	71	84	85	1
VF5040R3008	32	500	101	81	84	100	1.1
VF5050R3007	40	500	107	93	95	110	1.25
VF5065R3005	50	500	114	108	110	125	1.4
VF5080R3004	65	500	125	129	132	145	1.6
VF5100R3000	80	500	132	141	144	160	1.8
VF5125R3007	100	500	141	161	164	180	2.2
VF5150R3005	125	500	156	191	194	210	2.5

K = diameter of bolt circle

Table 27. VF5000A3/R3 Series combinations with MT4000 or MF4000 Series servo motor.

Stroke timing of servo motor	200 mbar				360 mbar				500 mbar			
	6-12 sec	15 sec	24-30 sec	60 sec	6-12 sec	15 sec	24-30 sec	60 sec	6-12 sec	15 sec	24-30 sec	60 sec
DN												
25	●	-	●	-	●	-	●	-	●	-	●	-
32	●	-	●	-	●	-	●	-	●	-	●	-
40	●	-	●	-	●	-	●	-	●	-	●	-
50	●	-	●	-	●	-	●	-	●	-	●	-
65	●	-	●	-	●	-	●	-	●	-	●	-
80	●	-	●	-	-	■	●	-	-	■	●	-
100	-	■	●	-	-	■	■	■	-	■	■	■
125	-	■	■	■	-	-	■	■	-	-	■	■
150	-	-	■	■	-	-	■	■	-	-	-	■

- compatible with MT4000
- compatible with MF4000

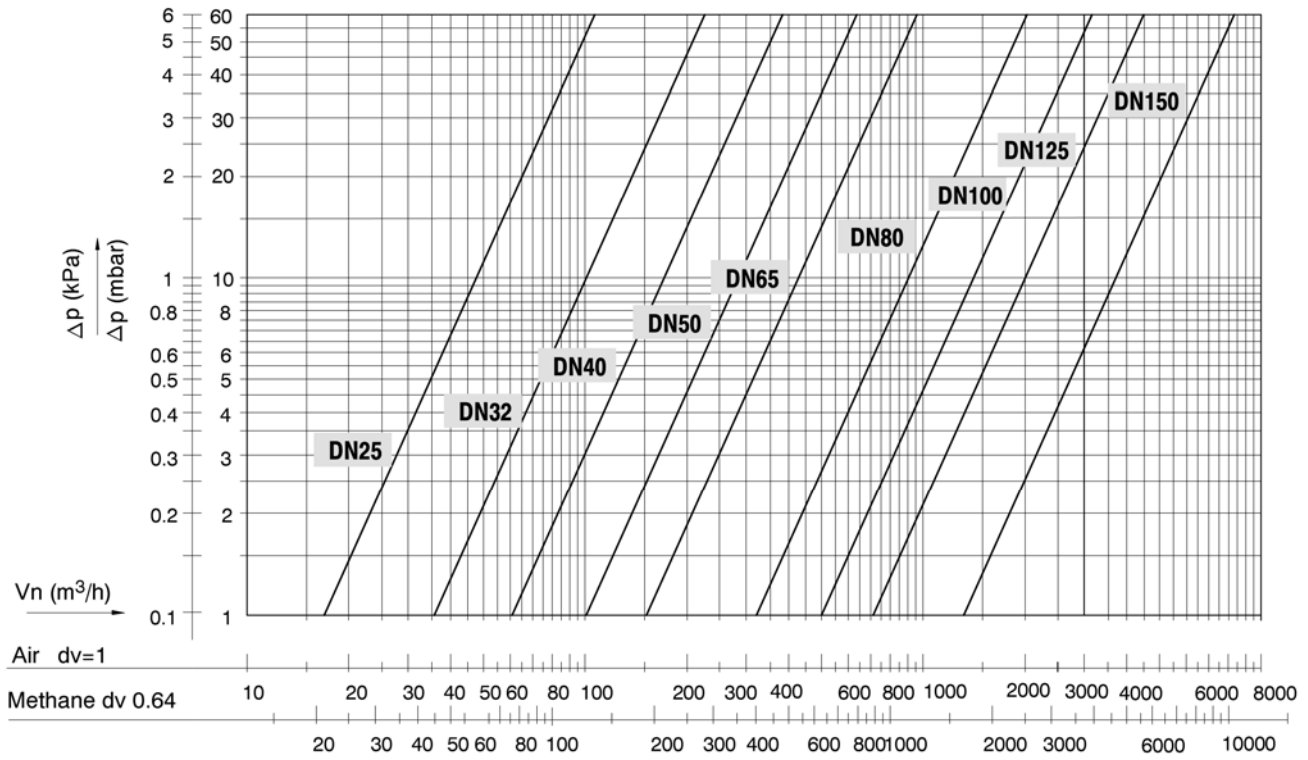
Accessories

Mounting kits for VF5000 Series butterfly valves

O.S. number	Description
KTFFMT4	adaptor kit for MT4000 Series
KTFFMF4	adaptor kit for MF4000 Series
KTBTFO1	adaptor kit for US MOD IV motors

NOTE: The VF4000A3 Series is formed by a VF5000 valve with MT4000 or MF4000 servo motor factory assembled.

VF 5000A PILLANGÓSZELEPEK, DN25 - DN150



VF 5000R PILLANGÓSZELEPEK, DN32 - DN150

